

# onyx

## Fusion Electric

LCD ELECTRIC FIRE RANGE  
with Thermostatic Remote Control



### Instructions for Use & Installation For use in

Great Britain & Republic of Ireland  
Éire  
République Française  
Deutschland

Nederland  
Italia  
Norge

## Contents

### ENGLISH

Operating Instructions .....	5
Dimensions .....	72
Control System Technical Data .....	74
Pre-Installation.....	75
Installation.....	78
Information Requirement - Electric Heaters .....	89

## Inhalt

### DEUTSCHLAND

Bedienungsanleitung .....	28
Abmessungen.....	72
Steuerung Technische Daten .....	74
Vorbereitung Voor Installatie.....	75
Installatie .....	78
Technische Informationen - Elektrische Heizgeräte.....	89

## Contenuto

### ITALIANO

Istruzioni Di Funzionamento .....	50
Dimensioni .....	72
Dati tecnici del sistema di controllo.....	74
Pre-Installazione .....	75
Installazione .....	78
Informazioni obbligatorie per gli apparecchi per il riscaldamento d'ambiente locale elettrici .....	89

## Contenu

### FRANÇAIS

Mode d'emploi .....	16
Dimensions .....	72
Données techniques du système de commande.....	74
Pré-Installation.....	75
Installation.....	78
Informations à fournir pour un appareil de chauffage électrique localisé .....	89

## Inhoud

### NEDERLANDS

Bedieningsinstructies .....	39
Dimensies.....	72
Controlesysteem technische data .....	74
Vorbereitung Voor Installatie.....	75
Installatie .....	78
Informatie-eisen voor elektrische toestellen voor lokale ruimteverwarming .....	89

## Innhold

### NORSK

Betjeningsinstrukser .....	62
Dimensjoner .....	72
Kontrollsystem teknisk data .....	74
Forhåndsinstallering .....	75
Installasjon.....	78



onyx

CONSUMER SUPPORT VIDEO:  
[www.onyxfires.com/support/fusion](http://www.onyxfires.com/support/fusion)



# Service that goes above and beyond

Congratulations on becoming a new owner of an Onyx stove or fire – welcome to the family.

When you own an Onyx product, you can expect the very best in British stove and fire design and engineering, bringing exceptional heating performance to your home along with character and individuality.

We take great care to ensure that our stoves are designed, tested and manufactured to the highest possible quality standards, and pride ourselves on offering the same exemplary after-sales service that goes above and beyond, assuring you years of enjoyment from your Onyx purchase.



### IMPORTANT

**PARTS OF THE OUTER CASING OF THIS APPLIANCE ARE CONSIDERED BY THE MANUFACTURER TO BE A WORKING SURFACE WHICH BECOMES HOT WHEN THE HEATER IS SWITCHED ON. IT IS THEREFORE RECOMMENDED THAT A FIREGUARD COMPLYING WITH BS 8423 (LATEST EDITION) IS USED IN THE PRESENCE OF YOUNG CHILDREN, THE ELDERLY OR INFIRM. THE HEATER OUTLET GRILLE BECOMES VERY HOT WHILST IN OPERATION.**

**DO NOT COVER THE OUTLET GRILLE OR ANY PART OF THE APPLIANCE.**

For use with 230V 50Hz electricity supply only.

Please read these instructions carefully before installation and keep them in a safe place.

They will be needed when maintenance or servicing is required.

**THIS APPLIANCE MUST BE EARTHED**

**THIS PRODUCT IS ONLY SUITABLE FOR WELL INSULATED SPACES AND OCCASIONAL USE.**

## IMPORTANT INFORMATION AND HEALTH AND SAFETY

**Read all of the instructions carefully before using the appliance.**

**Remove all packaging and dispose of at an appropriate recycling facility.**

Do not locate this appliance immediately below a fixed socket outlet.

Parts of the outer casing of this appliance are considered by the manufacturer to be a working surface which becomes hot when the heater is switched on. You must use a suitable fire guard to protect children, the elderly and the infirm.

Do not use this appliance in the immediate surroundings of a bath, shower, swimming pool or any other area where the appliance could come into contact with water or humidity, e.g. a bathroom.



### **WARNING! DO NOT COVER**

Do not allow the appliance to be covered or let the air inlet/outlet become obstructed as the appliance may overheat. Please note the warning symbol on the appliance (see above).

**For indoor use only.** This appliance is not suitable for use outside the house.

This appliance must be installed in a purpose built studwork enclosure. Ensure the appliance is level and that furniture, curtains etc. are positioned no closer than 1m.

Where the electricity supply cable has to pass through a fire place, stone surround etc. ensure suitable rubber bushes are fitted at possible wear points.

If installed in an open fireplace, blank off the chimney to reduce the risk of a back draught which can cause the safety cut-out to operate.

Keep the power cord away from hot surfaces and hot conditions. Do not route the power lead in front of the appliance.

When the fire has been installed the position of the plug must be accessible.

If the electricity supply cable is damaged do not use the appliance until it has been replaced. For safety reasons the replacement has to be carried out by a Onyx service agent or a similarly competent electrician.

**CAUTION:** In order to avoid a hazard due to inadvertent resetting of the thermal cut-out, this appliance must not be supplied through an external switching device, such as a timer, or connected to a circuit that is regularly switched on and off by the utility.

Do not operate the appliance if it is damaged.

Repairs of electrical appliances must only be performed by an electrical engineer. Should the appliance fail to operate, or in case of any damage, please contact the retailer from whom the appliance was purchased.

This appliance can be used by children aged from 8 years and above and persons with reduced physical, sensory or mental capabilities or lack of experience and knowledge if they have been given supervision or instruction concerning use of the appliance in a safe way and understand the hazards involved. Children shall not play with the appliance. Cleaning and user maintenance shall not be made by children without supervision.

Children of less than 3 years should be kept away unless continuously supervised.

Children aged from 3 years and less than 8 years shall only switch on/off the appliance provided that it has been placed or installed in its intended normal operating position and they have been given supervision or instruction concerning use of the appliance in a safe way and understand the hazards involved. Children aged from 3 years and less than 8 years shall not plug in, regulate and clean the appliance or perform maintenance.

**Caution: Some parts of this product can become very hot and cause burns. Particular attention has to be given where children and vulnerable people are present.**

**However Onyx recommend:**

**This appliance is not intended to be used by persons under the age of 12, persons with reduced physical, sensory or mental capabilities or persons with lack of experience and knowledge in the safe operation of the appliance.**

The appliance may be operated by persons above the age of 12 provided they have been instructed in the safe use of the appliance and that they understand the hazards involved. Persons above the age of 12 may also operate the appliance under the supervision of a responsible adult.

Parts of this appliance become hot whilst in operation and under no circumstances should persons under the age of 12 be left alone with the product when it is in operation unless a suitable fireguard is used to protect them against the possibility of coming into direct contact with the appliance.

Children shall not play with the appliance.

Cleaning and user maintenance shall not be made by children without supervision.

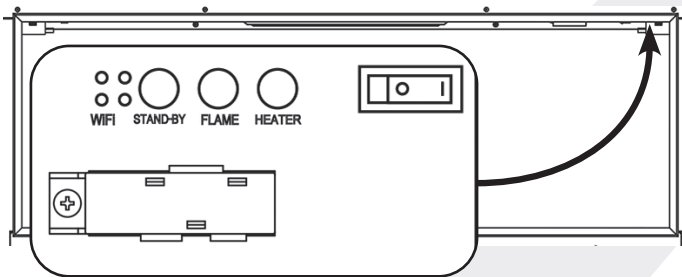


## OPERATING INSTRUCTIONS

**WARNING!** Do not operate the appliance if it is damaged or has malfunctioned. If you suspect the appliance is damaged or has malfunctioned call a qualified service engineer to inspect the appliance, and replace any part of the electrical system if necessary, before reuse.

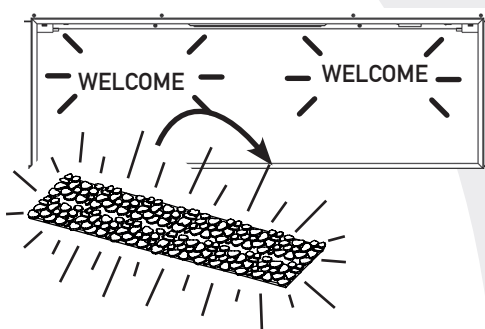
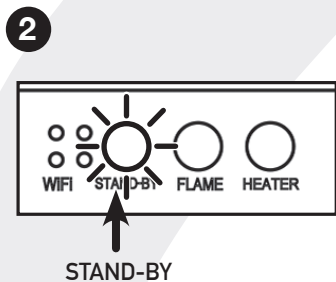
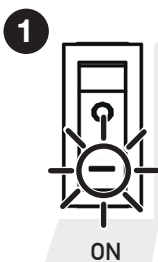
Do not disconnect the power at the mains supply whilst the appliance is running. Use the functions on the remote to turn the fire off and ensure the mains switch has been moved to the off position before disconnecting.

### MANUAL CONTROL PANEL



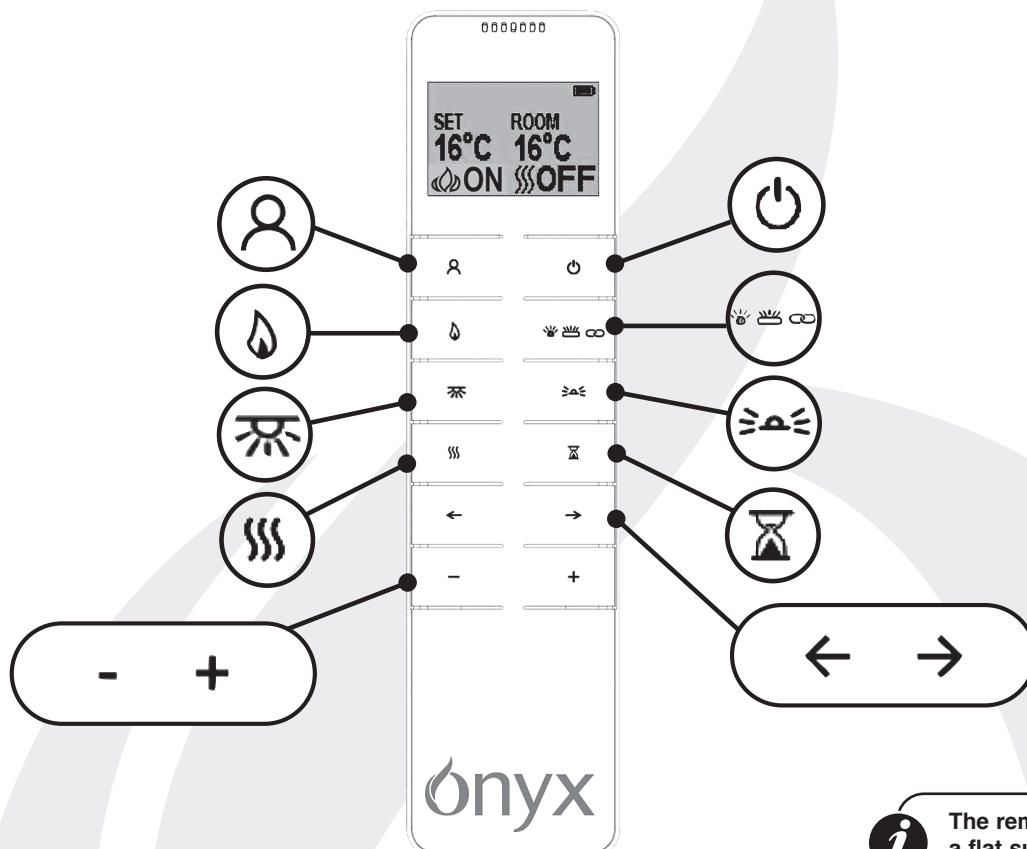
**NOTE:** To use both remote and manual functions the manual on/off switch must be in 'ON' position. To prevent the product overheating, there is a 10s delay when turning on and off the heater fan.

The manual button controls basic functions. Use the remote hand set to carry out all functions.








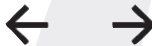
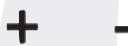
BUTTON	FUNCTION	ACTION
<p>OFF ON</p>	<p><b>ON:</b> Turns on the standby mode. Enables all of the functions and remote control.</p> <p><b>OFF:</b> Turns off all of the fireplace functions, and disables remote control.</p>	Turn the main power switch on. A long "beep" will be heard when the switch is turned at ON Position.
<p>POWER ON/OFF</p>	<p>Press to turn on the flame or turn off the fire.</p> <p><b>CODING: Press the button until you hear two short beeps. Within 10 seconds, press the button on the remote to finish the coding.</b></p>	
<p>FLAME</p>	<p>Cycles through 9 levels of flame settings, and this corresponds to the setting of MY FLAME on remote and APP. Keep pressing for 3 seconds to turn off the "beep" sound for buttons and remote control.</p>	Cycle through 9 levels of flame settings and flame off.
<p>HEATER</p>	<p>Press to cycle from LOW-HIGH-OFF.</p>	The heater will be cycled from Low – High – Heater Off. The indicator light will illuminate when the heater is turned on. The indicator light will go out within 10s.
<p>WIFI</p>	<p>Press to connect or disconnect the network.</p>	The indicator light will illuminate when the WIFI is turned on.

## REMOTE CONTROL

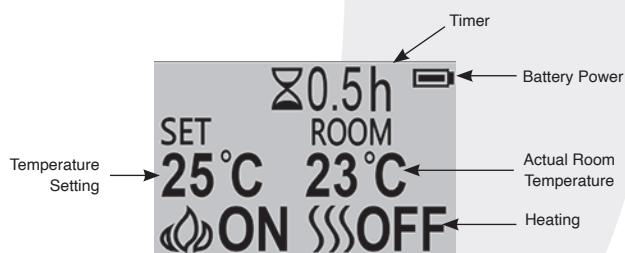
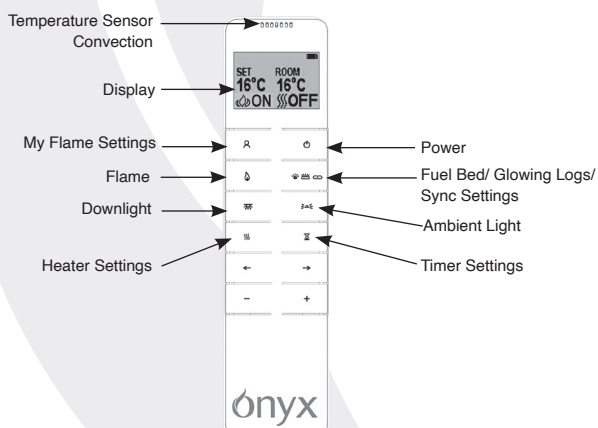


The remote control should be left on a flat surface in the room where the appliance is installed and away from any direct flow of hot air.


BUTTON	FUNCTION	ACTION
	<b>POWER</b>	The <b>POWER</b> button will turn the fireplace on, and enter standby mode. This will turn on/off all the functions at once but will hold the settings in memory.
	<b>MY FLAME</b>	Press the <b>MY FLAME</b> button followed by '+' and '-' or '←' and '→', the unit will cycle through 9 flame settings. Flames 1-6 are default settings, 7-9 can be saved as custom settings.
	<b>FLAME</b>	Press the <b>FLAME</b> button to enter the flame effect adjustment screen. Press '←' and '→' to cycle through cycle through 16 flame effects and then OFF. Press '+' and '-' to adjust the brightness from 20-100%, total 5 settings.


BUTTON	FUNCTION	ACTION
	<b>FUEL BED/ GLOWING LOGS/ SYNC</b>	<p>Press the button to enter the <b>FUEL BED</b> settings, press '←' and '→' to cycle through Red-Ember-Yellow-Green-Cyan-Blue-Purple-White-13 Colour Cycling-OFF. Press "+" and "-" to adjust the brightness from 20-100%, total 5 settings.</p> <p>Press again to enter the <b>GLOWING LOGS</b> adjustment screen. Press '←' and '→' to cycle through Red-Ember-Yellow-Green-Cyan-Blue-Purple-White-13 Colour Cycling-OFF. Press "+" and "-" to adjust the brightness from 20-100%, total 5 settings.</p> <p>Press the button the third time to enter the <b>SYNC</b>, the colours of fuel bed and log burning could be synced. Press '←' and '→' to cycle through Red-Ember-Yellow-Green-Cyan-Blue-Purple-White-13 Colour Cycling-OFF. Press "+" and "-" to adjust the brightness from 20-100%, total 5 settings.</p>
	<b>DOWNLIGHT</b>	Press to button to enter the <b>DOWN LIGHT</b> settings. Press '←' and '→' to cycle through Yellow-White-OFF. Press "+" and "-" to adjust the brightness from 20-100%, total 5 settings.
	<b>AMBIENT LIGHT</b>	Press the button to enter the <b>AMBIENT LIGHT</b> settings. The setting will cycle through Cold white-White-Warm White-Yellow-Gold-Light Ember-Ember-Red-Light Purple-Purple-Blue-Cyan-Blue-GREEN- 13 colour cycling and off. Press "+" and "-" to adjust the brightness from 20-100%, total 5 settings.
	<b>HEATING</b>	<p>Press to <b>HEATING</b> button, the heater will cycle from LOW-HIGH-OFF-AUTO. Press "+" and "-" to adjust the desired temperature from the range of 5-40°C.</p> <p>Hold button '←' or '→' for 3s to switch °C/°F</p>
	<b>TIMER</b>	Press the <b>TIMER</b> button to set the desired time for the fireplace to run. The Timer can be set 0.5H, 1.0H, and then each hour up to 10.0H.
	-	Press the '←' and '→' button to choose different settings such as the colour settings of the corresponding function.
	-	Press the '+' and '-' button to increase or decrease the settings such as the light setting.


## OPERATING THE APPLIANCE - ADVANCED OPERATION



### TURN ON/OFF

Press  button to turn on the flame effect.

Press  button to turn off all the functions under the manual heating control mode.

Press  button to turn off the flame effect under AUTO heating mode.

## WEEK DAYS/ TIME/ TEMPERATURE AND UNIT SETTING

These settings can be set and control through the MyFlame app function.

## ADJUSTING THE SET TEMPERATURE

Press the '+' or '-' button to increase or decrease the temperature.

## ADAPTIVE START CONTROL

The heater will automatically determine the appropriate time to heat to ensure that it will reach the set-pointed temperature at the set time.

## FLAME COLOUR ADJUSTMENT

Press 🔥 button.

There are 16 flame colour options including OFF.

There are 5 levels of brightness.



Press the '<' or '>' button to cycle through the flame colour options.

Press the '+' button to increase the flame brightness.

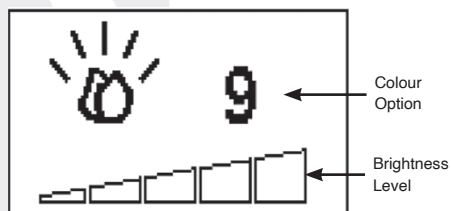
Press the '-' button to decrease the flame brightness.

## FUEL BED ADJUSTMENT

Press 🔥 🔥 🔥 button until 🔥🔥 appears

There are 10 flame colour options including OFF.

There are 5 levels of brightness.



Press the '<' or '>' button to cycle through the fuel bed colour options.

Press the '+' button to increase the fuel bed brightness.

Press the '-' button to decrease the fuel bed brightness until off.

## GLOWING LOGS ADJUSTMENT

Press 🔥 🔥 🔥 button until 🔥🔥 appears

There are 10 flame colour options including OFF.

There are 5 levels of brightness.



Press the '<' or '>' button to cycle through the fuel bed colour options.

Press the '+' button to increase the fuel bed brightness.

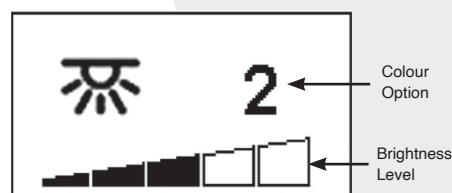
Press the '-' button to decrease the fuel bed brightness.

## DOWNLIGHT ADJUSTMENT

Press 🔥🔥 button.

There are 3 colour options including OFF.

There are 5 levels of brightness.



Press the '<' or '>' button to cycle through the fuel bed colour options.

Press the '+' button to increase the fuel bed brightness.

Press the '-' button to decrease the fuel bed brightness.

## COLOUR SYNC OPTION

Press 🔥 🔥 🔥 button until 🔗 appears.

This function links all the colours together.

There are 10 colour options including OFF.

There are 5 levels of brightness.



Press the '<' or '>' button to cycle through the colour options.



## MY FLAME COLOUR PRESETS

Press  button and the Preset Number will appear.



There are 9 presets.  
Press the '+' or '-' button or '<' or '>' to change the Preset.

1-9 are realistic flame combinations.  
7-9 have been created for custom flame combinations.



To create a custom flame effect:


Change the colour and density of Main Flame/ Flame Palette/ Ember bed/Logs/Downlight and Speed (Not Ambient Mood LED strip).

To confirm the settings press My Flame button for at least 3 seconds. The remote gives the choice to save it to 7, 8 or 9.

Select number (+ or - / < or >) and press My Flame button again.  
The product saves the personal setting.

## COUNT DOWN TIMER

This setting is only in normal heating control mode. It allows the appliance to be returned to Standby after a set period of time. The heater must be switched on to use this function.




Press  to cycle through the setting from Off and 0.5 hours to 10 hours. Timer logo and remaining time will show on the screen.



## OPERATING THE APPLIANCE - TROUBLESHOOTING

### BATTERY

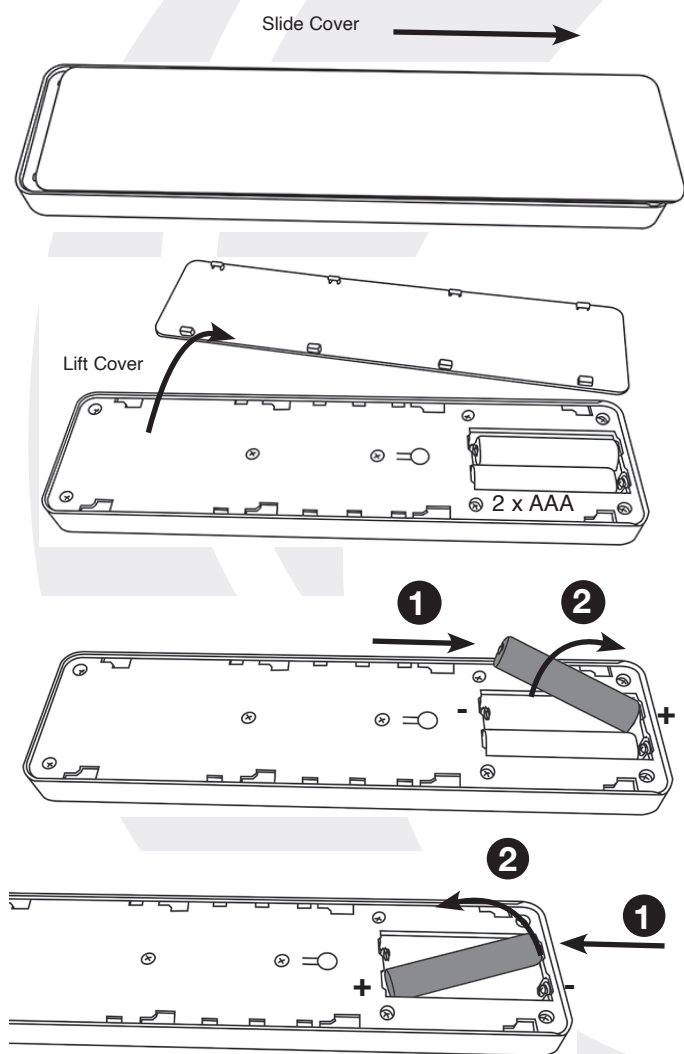
The battery power level is indicated at the top right of the remote control screen.

	Battery Full	No action required
	Battery Half Power	Ensure new batteries are available.
	Battery Empty	Replace batteries immediately

**i** **NOTE:** The remote control has a Battery Status indicator (top right corner), after an extended period of displaying empty the LED screen will cease to function despite the handset still being able to send commands. Replace the batteries to restore display.

### BATTERY REPLACEMENT

Exhausted batteries are to be removed from the appliance and safely disposed of.



Ensure that the handset batteries are new and inserted correctly.

Dispose of old batteries at an appropriate recycling facility.

Battery replacement is recommended after 1 year. The Remote requires two 1.5V alkaline AAA batteries.

Ensure the correct polarity. Do not short circuit the terminals.

Do not attempt to recharge non-rechargeable batteries.

Remove rechargeable batteries before charging.

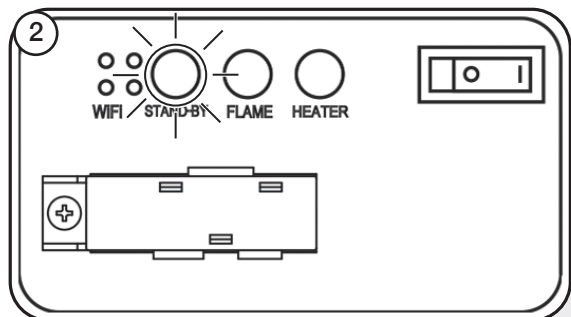
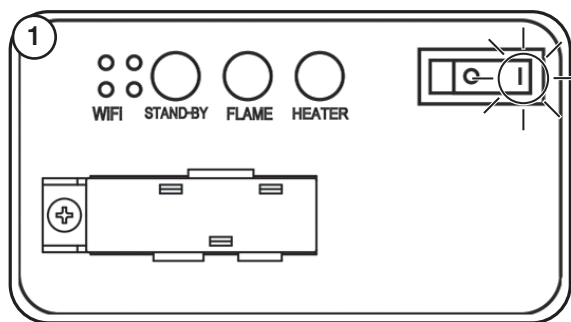
Do not mix old and new batteries.

Remove batteries if the appliance is not used for long periods.

**i** **NOTE:** To use both remote and manual functions the manual on/off switch must be in 'ON' position. In order to prevent the product becoming too hot, there is 10s delay when turning on the heater and a 10s delay when turning off the heater fan.

The manual button controls basic functions, not a full range of controls. Use the remote hand set to carry out all functions.

## RESET BUTTON FOR REMOTE CONTROL

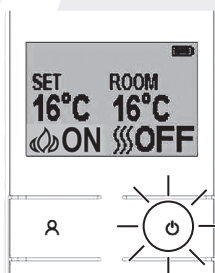


3 seconds



2 Beeps

3



1 Beep

## SIGNAL CODE

The handheld transmitter is configured in the factory with a unique signal code.

**IMPORTANT:** If the handset loses signal or needs to be replaced, see Servicing Instructions for details.

## MAINTENANCE

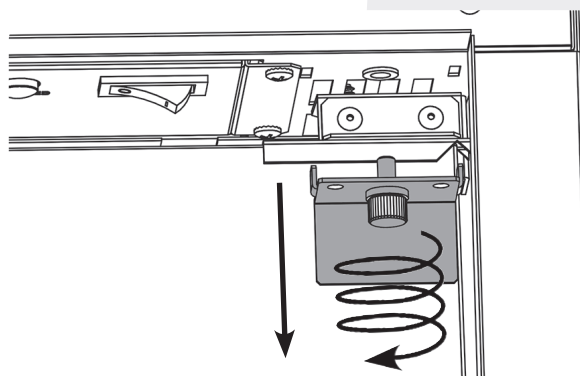
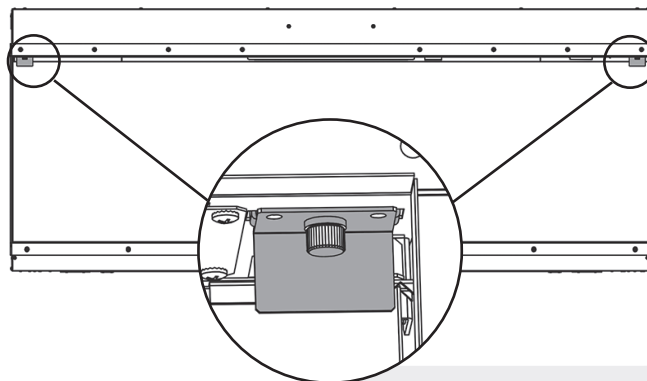
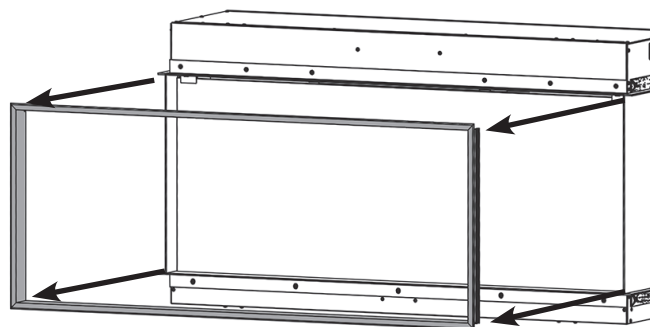
**ENSURE THE APPLIANCE IS TURNED OFF BEFORE CLEANING.**

### GLASS CLEANING

Wipe the glass viewing panel with a damp cloth and buff with a lint free duster.

**Caution:** Do not use abrasive cleaners on the glass panel. Do not spray liquids directly onto any surface of the unit.

### CLEANING THE FUEL EFFECT

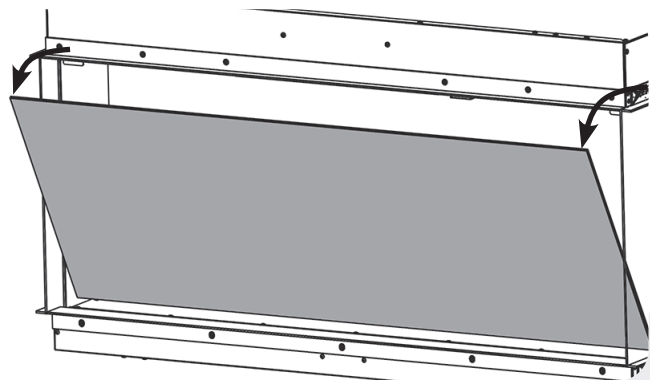


## SERVICING AND SUPPORT

# onyx



## SERVICE & SUPPORT ENGINEER TEAM



Remove and wash the fuel effect to remove any dust particles. Alternatively clean with a lint free duster.

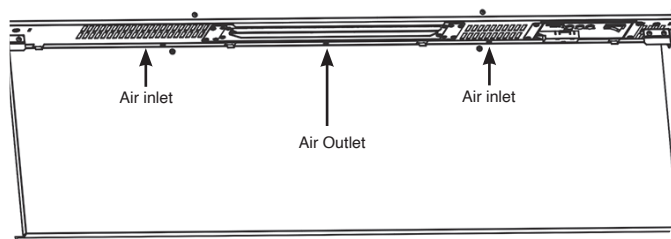
**Ensure that the effect is dry before replacing.**

**Replace the fuel effect see Installation Instructions for layout.**

Replace in reverse order.

### CLEANING AIR INLETS

Clean the air inlet and outlet grilles regularly with a soft cloth or the nozzle of a vacuum cleaner.



**Dust build-up can inhibit efficient performance of the fan and lead to the safety cut-out operating.**

Keep the area around the appliance clean and free of fluff, dust or pet hair.

In particular, build-up of dust etc. can occur around the heater area. Take particular care to keep this area free from such particles on a regular basis to prevent build-up.

## INSTALLATION

### GENERAL

#### TOOLS REQUIRED

A Screwdriver, Spirit Level, Saw and Drill will be needed.

#### UNPACKING THE FIREPLACE

**WARNING! DO NOT use this appliance if any part has been exposed to water.**

Immediately call a qualified service technician to inspect and to replace any part of the electrical system if necessary.

Open the packaging carefully and remove the polystyrene. Remove and discard the plastic bag. Keep plastic wrapping away from children. Be responsible when handling the packing materials.

Check all parts and accessories are removed before disposing of any packaging. If necessary keep the original packaging for future transport and/or storage.

Test the appliance before installation.

### FITTING THE APPLIANCE

#### LOCATING THE FUSION

Your new Fusion may be installed virtually anywhere in your home. However, when choosing a location ensure that the general instructions are followed.

For best results, install out of direct sunlight.

**The heater should ideally be fitted into/onto an internal flat wall constructed from either studwork and plasterboard block/brick. The fixings provided are for use on brick walls ONLY. Please ensure that suitable fixings are used when securing to any hollow or purpose built cavity.**

**NOTE: This appliance is not suitable for fitting to a Cavity Wall, backing on to an outside wall, an open chimney or any opening that may be subject to damp and draft, unless adequate precautions are taken to avoid the appliance coming into contact with moisture or excessive drafts. In such installations, any existing chimney and/or purpose provided air vents should be fully sealed.**

**Make sure there are no pipes or cables behind the area to be drilled or cut.**

Always ensure the appliance is adequately supported and sits on a firm structure when mounting above floor level.

The appliance should ideally be located close to a suitable mains socket to enable connection. An extension could be run from an existing socket outlet but this must be carried out by a suitably qualified electrical engineer.

The electrical socket must be easily accessible to allow disconnection when the appliance is fitted.

If the power cord is damaged, it must be repaired by the manufacturer, its authorised service centre or professional person.

Ensure that curtains and furniture are not positioned close to the chosen position, as this would create a potential fire hazard or block the heater outlet ducts.

**WARNING! KEEP ALL COMBUSTIBLE MATERIALS AT LEAST 1M FROM THE FRONT OF THE ELECTRIC FIREPLACE.**

### SERVICING REQUIREMENTS



**DURING SERVICING OF THIS APPLIANCE IT MAY BE NECESSARY TO CUT CABLE TIES IN ORDER TO ACCESS AND REMOVE SOME OF THE PARTS. THESE MUST BE REPLACED WHEN REASSEMBLING THE APPLIANCE.**

**THIS APPLIANCE MUST ONLY BE SERVICED BY A SUITABLY QUALIFIED PERSON.**

**BEFORE UNDERTAKING ANY WORK ON THE APPLIANCE: SWITCH OFF THE APPLIANCE AND ISOLATE THE POWER SUPPLY ENSURING THERE IS NO POWER TO THE APPLIANCE.**

Wait for at least 10 minutes until the appliance has cooled down.

#### Remote Handset Battery Replacement

Replace with 2 AAA batteries. Make sure the batteries are installed correctly in the remote control.



**NOTE: The remote control has a Battery Status indicator (top right corner), after an extended period of displaying empty the LED screen will cease to function despite the handset still being able to send commands. Replace the batteries to restore display.**

#### Maintenance of Motors

The motor used on the flame effect is pre-lubricated for extended bearing life and requires no further lubrication. However, periodic cleaning/vacuuming of the heater unit is recommended.

#### Resetting the Thermal Cutout Switch

The appliance is fitted with an Electronic Safety Control (E.S.). This is a safety device which switches off the fire if, the appliance overheats for any reason e.g. when covered.

If the heater stops operating whilst the flame effect continues normally, this indicates that the E.S. Control is in operation. The E.S. Control can only be re-set after the appliance has cooled down.

To re-set the E.S:

Switch off the appliance (Manual On/Off switch) and leave for approximately 120 minutes.

Remove any obstruction to the fan heater outlet or other internal parts.

Switch on appliance and the E.S. Control will re-set. Ensure that the appliance is functioning correctly. If the E.S. Control operates again, the appliance should be checked by a competent electrician.





# Un service qui va au-delà des attentes

Félicitations pour être devenu un nouveau propriétaire d'un poêle ou chauffage Onyx – bienvenue dans la famille.

En acquérant un produit Onyx, vous pouvez vous attendre au meilleur de la conception et de la construction britanniques de poêle et de chauffage, avec des performances exceptionnelles de chauffage pour votre foyer, outre le caractère et l'originalité.

Nous prenons grand soin de concevoir, tester et fabriquer nos poêles selon les normes de qualité les plus élevées, et nous sommes fiers de proposer un service après-vente modèle qui va au-delà des attentes pour vous garantir des années de plaisir dans l'utilisation de votre produit Onyx.





## IMPORTANT

**CERTAINES PARTIES EXTERNES DE L'APPAREIL SONT CONSIDÉRÉES, PAR LE FABRICANT, COMME ÉTANT DES SURFACES DE TRAVAIL QUI DEVIENNENT CHAUDES LORSQUE LE CHAUFFAGE EST EN MARCHÉ. IL EST DONC FORTEMENT RECOMMANDÉ D'UTILISER UNE GARDE CONFORME À LA NORME BS 8423 (DERNIÈRE ÉDITION) EN PRÉSENCE DE JEUNES ENFANTS, DE PERSONNES ÂGÉES OU HANDICAPÉES.**

**LA GRILLE D'ÉVACUATION DU SYSTÈME DE CHAUFFAGE DEVIENT TRÈS CHAUDE LORS DU FONCTIONNEMENT. NE PAS COUVRIR LA GRILLE D'ÉVACUATION NI TOUTE AUTRE PARTIE DE L'APPAREIL.**

Pour utilisation uniquement avec une alimentation électrique de 230V, 50Hz.

Veillez lire ces instructions avec attention avant de procéder à l'installation, et les conserver en lieu sûr car vous en aurez besoin en cas de maintenance et de service.

**CET APPAREIL DOIT ÊTRE RELIÉ À LA TERRE**

**CE PRODUIT NE PEUT ÊTRE UTILISÉ QUE DANS DES LOCAUX BIEN ISOLÉS OU DE MANIÈRE OCCASIONNELLE.**

## INFORMATIONS IMPORTANTES ET HYGIÈNE ET SÉCURITÉ

**Lisez attentivement toutes les instructions avant d'utiliser l'appareil.**

**Les emballages doivent être jetés dans un centre de recyclage approprié.**

Ne pas placer l'appareil immédiatement au-dessous d'une sortie fixe de prise.

Certaines parties externes de l'appareil sont considérées, par le fabricant, comme étant des surfaces de travail qui deviennent chaudes lorsque le chauffage est en marche. Vous devez utiliser une garde adéquate pour protéger les enfants, les personnes âgées et les infirmes.

Ne pas utiliser cet appareil à proximité immédiate d'une baignoire, d'une douche, d'une piscine ou de tout autre lieu où l'appareil risque d'être en contact avec l'eau.



### ATTENTION: NE PAS RECOUVRIR!

ATTENTION: Ne pas recouvrir l'appareil ou boucher l'arrivée / la sortie d'air car cela risque de provoquer la surchauffe de l'appareil. Veuillez noter le symbole d'avertissement sur l'appareil (voir ci-dessus).

**Uniquement pour utilisation à l'intérieur.** Cet appareil n'est pas adapté à une utilisation à l'extérieur de la maison.

Cet appareil doit être installé dans une enceinte à ossature murale spécialement conçue à cet effet. Veiller à ce que l'appareil soit à niveau et le mobilier, les rideaux, etc. soient positionnés à au moins 1 m.

Lorsque le câble d'alimentation électrique doit passer à travers une cheminée, un entourage en pierre, etc., le munir d'une bague en caoutchouc aux points de frottement possible.

En cas d'installation dans une cheminée ouverte, boucher le conduit de fumée de manière à réduire le risque de refoulement susceptible de provoquer le déclenchement du dispositif d'arrêt d'urgence.

Éloigner le câble d'alimentation électrique des surfaces chaudes et des zones à haute température. Ne pas faire passer le câble d'alimentation électrique devant l'appareil.

Une fois l'appareil installé, l'emplacement de la prise doit être accessible.

Si le câble d'alimentation électrique est endommagé, ne pas utiliser l'appareil jusqu'à ce qu'il ait été remplacé. Pour des questions de sécurité, le remplacement doit être effectué par la société Onyx, un agent de service Onyx ou bien par un électricien compétent.

ATTENTION : Afin d'éviter tout danger suite à une réinitialisation accidentelle de la coupure thermique, cet appareil ne doit pas être alimenté par un dispositif de commutation externe, comme un minuteur ou connecté à un circuit qui est régulièrement mis sous et hors tension par l'utilité.

Ne pas utiliser l'appareil s'il est endommagé.

Les réparations des appareils électriques ne doivent être effectuées que par un électricien. Si l'appareil ne fonctionne pas ou en cas de dommages, veuillez contacter le revendeur qui vous a livré l'appareil.

Cet appareil peut être utilisé par des enfants âgés de 8 ans et plus et par des personnes ayant des capacités physiques, sensorielles ou mentales réduites ou manquant d'expérience et de connaissances, si elles sont sous surveillance ou suivent les instructions relatives à l'utilisation de l'appareil de manière sûre et comprennent les risques inhérents. De ne pas laisser les enfants jouer avec l'appareil. De ne pas laisser les enfants effectuer le nettoyage et l'entretien sans surveillance.

Les enfants de moins de 3 ans doivent toujours être tenus éloignés sauf s'ils sont constamment surveillés.

Les enfants entre 3 ans et 8 ans ne devront mettre sous/hors tension l'appareil que si ce dernier a été placé ou installé dans sa position d'utilisation normale prévue et sous surveillance ou en suivant les instructions relatives à l'utilisation de l'appareil de manière sûre et s'ils comprennent les risques inhérents. Les enfants entre 3 ans et 8 ans ne devront pas brancher, régler et nettoyer l'appareil ni l'entretenir.

**Attention: certaines pièces de ce produit peuvent devenir très chaudes et provoquer des brûlures. Une attention particulière doit être accordée aux enfants et aux personnes vulnérables.**

**Toutefois, Onyx recommande :**

**L'usage de cet appareil est déconseillé aux personnes de moins de 12 ans, aux personnes aux capacités intellectuelles, sensorielles ou physiques limitées ou aux personnes qui manquent d'expérience et de connaissance pour manipuler cet appareil en toute sécurité.**

L'appareil peut être manipulé par des personnes de plus de 12 ans à condition qu'elles aient bien assimilé les consignes de sécurité de l'appareil et qu'elles ont compris les risques encourus. Les personnes âgées de plus de 12 ans peuvent aussi manipuler l'appareil sous la surveillance d'un adulte responsable.

Les pièces de cet appareil deviennent chaudes quand il est en marché et il ne faut en aucun cas laisser des personnes de moins de 12 ans sans surveillance avec le produit en marche à moins qu'un coupe-feu ne soit utilisé pour les empêcher d'entrer en contact direct avec l'appareil.

De ne pas laisser les enfants jouer avec l'appareil.

De ne pas laisser les enfants effectuer le nettoyage et l'entretien sans surveillance.



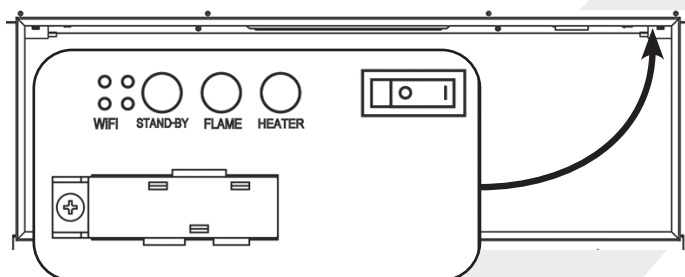
## MODE D'EMPLOI



**ATTENTION!** Ne pas allumer l'appareil s'il est endommagé ou en cas de dysfonctionnement. Si vous pensez que l'appareil est endommagé ou en cas de dysfonctionnement, veuillez contacter un technicien de service qualifié pour inspecter l'appareil, et remplacer toutes pièces du circuit électrique si nécessaire avant de le remettre en marche.

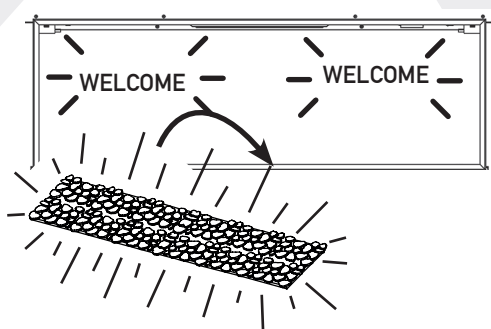
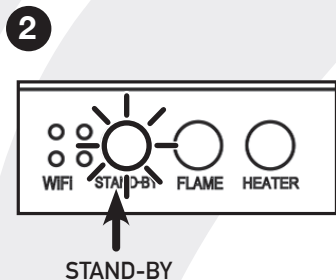
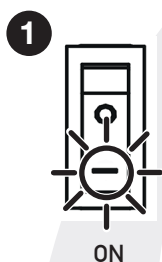
De ne pas débrancher l'appareil du secteur lorsque l'appareil fonctionne. Utilisez les fonctions de la télécommande pour arrêter le feu et veillez à ce que l'interrupteur d'alimentation soit placé sur la position arrêt avant de débrancher.

### PANNEAU DE COMMANDE MANUELLE



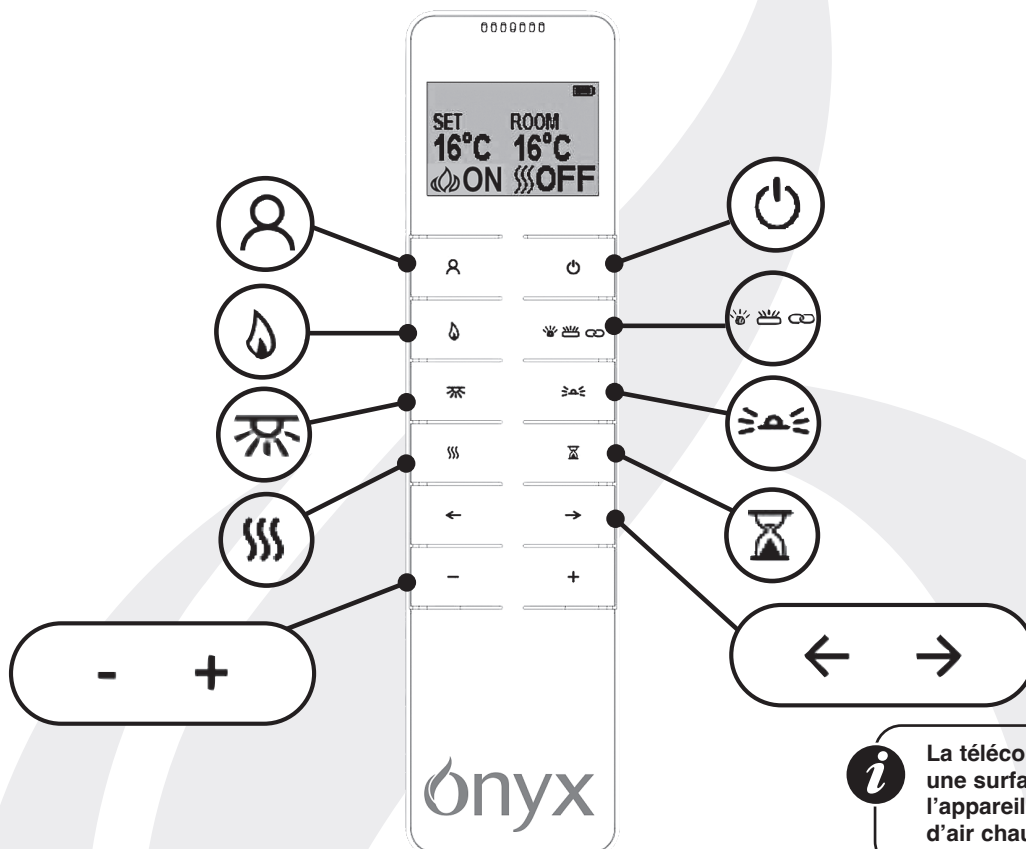
**REMARQUE :** Pour utiliser les fonctions de la télécommande et manuelles, l'interrupteur marche/arrêt manuel doit être sur la position 'ON'. Pour éviter une surchauffe du produit, il y a un délai de 10 s lors de la mise en marche de l'appareil de chauffage et un délai de 10 s lors de l'arrêt du ventilateur de l'appareil de chauffage.

Le bouton manuel commande les fonctions de base, pas toutes les commandes. Utilisez la télécommande pour exécuter toutes les commandes.








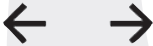
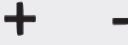
BOUTON	FONCTION	ACTION
 DÉSACTIVÉ/ACTIVÉ	<b>ACTIVÉ :</b> Active le mode veille. Active toutes les fonctions et la télécommande. <b>DÉSACTIVÉ:</b> Désactive toutes les fonctions de la cheminée, ainsi que la télécommande.	Allume l'interrupteur de mise sous tension. Un « bip » long résonnera lorsque l'interrupteur est en position ACTIVÉE.
 MARCHE /ARRÊT	Appuyer dessus pour allumer la flamme ou éteindre le feu. <b>CODAGE:</b> Appuyez sur le  bouton jusqu'à ce que 3 bips courts retentissent de l'unité, relâchez le bouton. Au bout de 10 secondes, appuyez sur le bouton  de la télécommande. Le codage est terminé lorsque 1 long bip est émis par l'unité.	
 FLAMME	Fait défiler 9 réglages différents de flamme, et correspond au réglage MY FLAME sur la télécommande et dans l'application. Maintenir enfoncé pendant 3 secondes pour éteindre le « bip » des boutons et de la télécommande.	Fait défiler 9 réglages différents de flamme et désactivation de la flamme.
 CHAUFFAGE	Appuyer pour faire défiler LOW-HIGH-OFF	Le chauffage basculera entre bas – haut – chauffage éteint. Le voyant s'allume lorsque le chauffage est allumé. Le voyant s'éteint en 10 s.
 WIFI WIFI	Appuyez pour connecter ou déconnecter le réseau.	Le voyant lumineux s'allumera lorsque le WIFI est activé.

## COMMANDES À DISTANCE

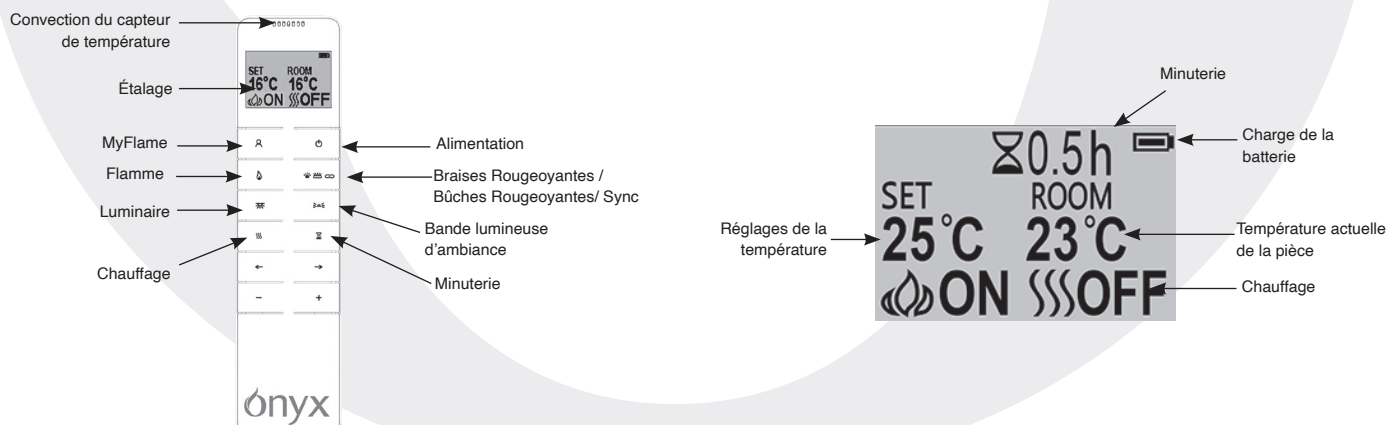


La télécommande doit être posée sur une surface plane dans la pièce où l'appareil est installé et loin du courant d'air chaud direct.

BOUTON	FONCTION	ACTION
	<b>ALIMENTATION</b>	Le bouton de mise en marche allume la cheminée et active le mode veille. Il éteint immédiatement toutes les fonctions mais conserve les réglages en mémoire.
	<b>MY FLAME</b>	Appuyer sur le bouton <b>MY FLAME</b> suivi de « + » et « - » ou « ← » et « → » l'unité fait défiler 9 réglages de flamme. Les flammes 1 à 6 sont des réglages par défaut ; celles de 7 à 9 peuvent être enregistrées en tant que réglages personnalisés.
	<b>FLAMME</b>	Appuyer sur le bouton <b>FLAMME</b> pour ouvrir l'écran d'ajustement de l'effet flamme. Appuyez sur le bouton '←' ou '→' pour parcourir les 16 options de flamme et « désactivé ». Appuyer sur les boutons « + » et « - » pour régler la luminosité entre 20 et 100 % ; 5 réglages au total.


BOUTON	FONCTION	ACTION
	<b>LIT DE COMBUSTIBLE / BÛCHES ROUGEYANTES / SYNC</b>	<p>Appuyer sur le bouton pour entrer dans les réglages des <b>LIT DE COMBUSTIBLE</b>. Appuyer sur les boutons « ← » et « → » pour faire défiler rouge – braise – jaune – vert – cyan – bleu – violet – blanc – défilement de 13 couleurs – désactivé.</p> <p>Appuyer sur les boutons « + » et « - » pour régler la luminosité entre 20 et 100 % ; 5 réglages au total.</p> <p>Appuyer à nouveau pour entrer dans l'écran d'ajustement de <b>BÛCHES ROUGEYANTES</b>. Appuyer sur les boutons « ← » et « → » pour faire défiler rouge – braise – jaune – vert – cyan – bleu – violet – blanc – défilement de 13 couleurs – désactivé.</p> <p>Appuyer sur les boutons « + » et « - » pour régler la luminosité entre 20 et 100 % ; 5 réglages au total.</p> <p>Appuyer quatre fois sur le bouton pour atteindre <b>SYNC</b> : les couleurs de la combustion de la bûche et lit de combustible peuvent être synchronisés.</p> <p>Appuyer sur les boutons « ← » et « → » pour faire défiler rouge – braise – jaune – vert – cyan – bleu – violet – blanc – défilement de 13 couleurs – désactivé</p> <p>Appuyer sur les boutons « + » et « - » pour régler la luminosité entre 20 et 100 % ; 5 réglages au total.</p>
	<b>LUMINAIRE</b>	<p>Appuyer à nouveau pour entrer dans l'écran d'ajustement de <b>LUMINAIRE</b>.</p> <p>Appuyer sur les boutons « ← » et « → » pour faire défiler jaune – blanc – désactivé.</p> <p>Appuyer sur les boutons « + » et « - » pour régler la luminosité entre 20 et 100 % ; 5 réglages au total.</p>
	<b>LUMIÈRE AMBIANTE</b>	<p>Appuyer sur le bouton pour entrer dans les réglages de <b>LUMIÈRE AMBIANTE</b>, et le réglage fera défiler blanc froid - blanc - blanc chaud - braise légère - braise - jaune - jaune doré - rouge - vert - cyan - bleu - violet clair - violet - défilement de 13 couleurs et désactivé.</p> <p>Appuyer sur les boutons « + » et « - » pour régler la luminosité entre 20 et 100 % ; 5 réglages au total.</p>
	<b>CHAUFFAGE</b>	<p>Appuyer sur le bouton <b>CHAUFFAGE</b> pour que le chauffage fasse défiler le réglage : AUT - LOW - HIGH - OFF. Le chauffage AUTO fonctionnera après le réglage de la minuterie hebdomadaire dans l'application <b>MY FLAME</b>.</p>
	<b>MINUTERIE</b>	<p>Appuyer sur le bouton <b>MINUTERIE</b> pour régler l'heure à laquelle la cheminée s'allume. La minuterie peut être réglée sur 0,5 H, 1,0 H, puis sur chaque heure jusqu'à 10,0 H.</p>
	-	<p>Appuyer sur les boutons « ← » et « → » pour déterminer les différents réglages comme les paramètres de couleur de la fonction correspondante.</p>
	-	<p>Appuyer sur les boutons « + » et « - » pour augmenter ou diminuer le réglage comme celui de l'éclairage.</p>


## FAIRE FONCTIONNER L'APPAREIL – FONCTIONNEMENT AVANCÉ



## MISE SOUS/HORS TENSION

Appuyez sur le  bouton pour activer l'effet flamme.

Appuyez sur le  bouton pour désactiver toutes les fonctions en mode de commande de chauffage manual y compris l'effet flamme et l'appareil de chauffage du ventilateur.

Appuyez sur le  bouton pour désactiver l'effet flamme en mode de chauffage AUTO.

## RÉGLAGE DE L'UNITÉ ET DE LA TEMPÉRATURE DE CONFORT/JOURS DE LA SEMAINE/HEURE

Ces réglages peuvent être définis et contrôlés via la fonction de l'application MyFlame.


## RÉGLAGE DE LA TEMPÉRATURE DÉFINIE

Appuyez sur le bouton '+' ou '-' pour augmenter ou réduire la température sur la base de la température.

## COMMANDE DE MISE EN ROUTE ADAPTIVE

Selon la température de la pièce et la température définie, l'appareil de chauffage déterminera automatiquement l'heure appropriée à laquelle chauffer pour s'assurer qu'elle atteindra la température définie dans la durée définie.

## AJUSTEMENT DE LA COULEUR DE LA FLAMME

Appuyer sur le bouton .

Il y a 16 options de couleurs de flamme, y compris DÉSACTIVÉ.

Il y a 5 niveaux de luminosité.



Appuyez sur le bouton '<' ou '>' pour parcourir les options de couleur de flamme.

Appuyez sur le bouton '+' pour augmenter la luminosité de la flamme.

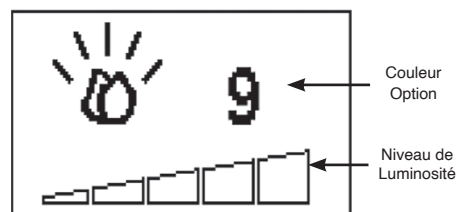
Appuyez sur le bouton '-' pour réduire la luminosité de la flamme.

## LIT DE COMBUSTIBLE

Appuyer sur le bouton    jusqu'à ce que  apparaisse.

Il y a 10 options de couleurs de flamme, y compris DÉSACTIVÉ.

Il y a 5 niveaux de luminosité.



Appuyez sur le bouton '<' ou '>' pour parcourir les options de couleur de flamme.

Appuyez sur le bouton '+' pour augmenter la luminosité de la flamme.

Appuyez sur le bouton '-' pour réduire la luminosité de la flamme.

## AJUSTEMENT DES BÛCHES ROUGEoyANTES

Appuyer sur le bouton    jusqu'à ce que  apparaisse.

Il y a 10 options de couleurs de flamme, y compris DÉSACTIVÉ.

Il y a 5 niveaux de luminosité.




Appuyez sur le bouton '<' ou '>' pour parcourir les options de couleur de flamme.

Appuyez sur le bouton '+' pour augmenter la luminosité de la flamme.

Appuyez sur le bouton '-' pour réduire la luminosité de la flamme.



## AJUSTEMENT DU LUMINAIRE

Appuyer sur le bouton .

Il y a 3 options de couleurs de flamme, y compris DÉSACTIVÉ.

Il y a 5 niveaux de luminosité.




Appuyez sur le bouton '←' ou '→' pour parcourir les options de couleur de flamme.

Appuyez sur le bouton '+' pour augmenter la luminosité de la flamme.

Appuyez sur le bouton '-' pour réduire la luminosité de la flamme jusqu'à l'éteindre.

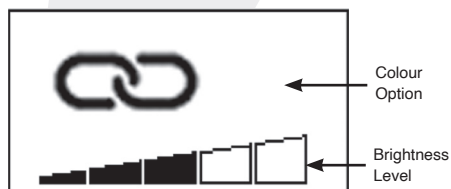
## OPTION DE SYNC DES COULEURS

Cette fonction lie toutes les couleurs ensemble.

Appuyer sur le bouton    jusqu'à ce que  apparaisse.

Il y a 10 options de couleurs de flamme, y compris DÉSACTIVÉ.

Il y a 5 niveaux de luminosité.



Appuyez sur le bouton '←' ou '→' pour parcourir les options de couleur de flamme.

Appuyez sur le bouton '+' pour augmenter la luminosité de la flamme.

Appuyez sur le bouton '-' pour réduire la luminosité de la flamme jusqu'à l'éteindre.

## PRÉRÉGLAGES DE COULEUR DE MY FLAME

Appuyer sur le bouton  et le numéro du préréglage apparaît.



Il y a 9 préréglages.

Appuyez sur les boutons « + » ou « - », ou sur '←' ou '→' pour modifier le préréglage.

1 à 9 représentent des combinaisons réalistes de flammes.

7 à 9 sont destinés aux combinaisons personnalisées de flammes.



Pour créer un effet personnalisé de flamme :

Modifier la couleur et la densité de la palette de flamme principale/ flammes / lit de braises / bûches / luminaire, et la vitesse (pas de bande LED d'ambiance).


Appuyer sur le bouton My Flame pendant 3 secondes au moins pour confirmer les réglages. La télécommande permet d'enregistrer le choix en 7, 8 ou 9.

Sélectionner le numéro (« - », ou sur '←' ou '→') et appuyer à nouveau sur le bouton My Flame.

Le produit enregistre le réglage personnalisé.

## COMPTE À REBOURS

Ce réglage est uniquement en mode de commande de chauffage normale. Il permet à l'appareil de revenir en mode de veille après un certain temps. L'appareil de chauffage doit être mis en marche pour utiliser cette fonction.

Appuyez sur  pour parcourir les réglages d'Arrêt et 0,5 heures à 10 heures. Le logo de la minuterie et le temps restant s'afficheront à l'écran.

## UTILISATION DE L'APPAREIL - DÉPANNAGE

### BATTERIE

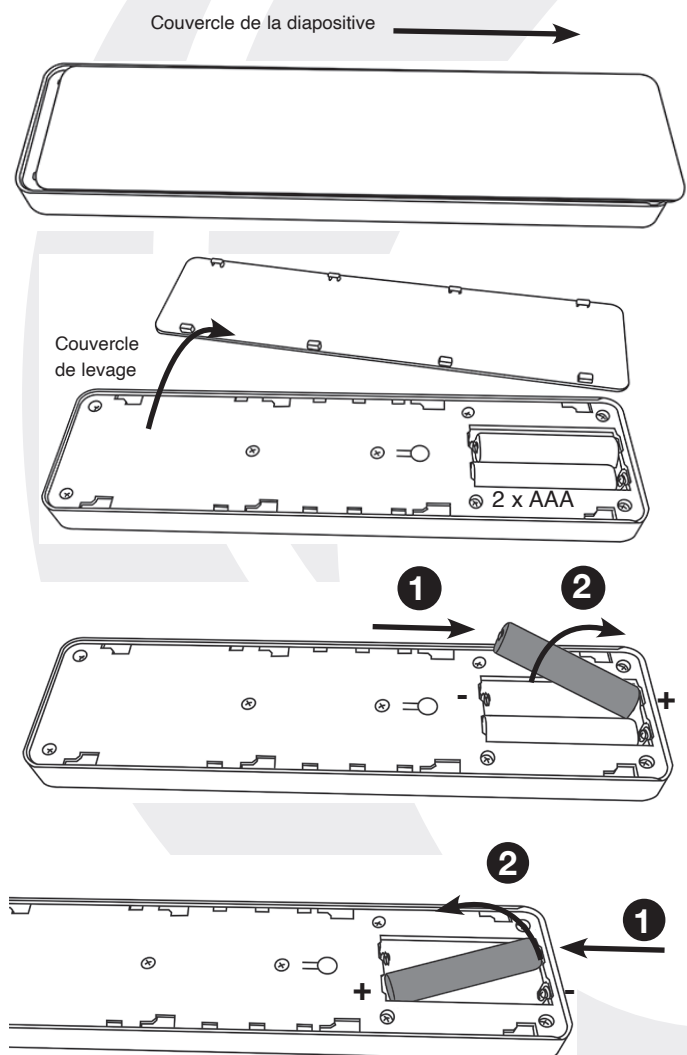
Le niveau de puissance de la batterie est indiqué en haut à droite de l'écran de la télécommande.

	Batterie chargée	Aucune action requise
	Batterie à moitié chargée	Veillez à avoir des piles neuves à disposition.
	Batterie déchargée	Changez immédiatement les piles

**i** **REMARQUE :** la télécommande comporte un témoin de piles (coin supérieur droit) ; après un affichage prolongé de l'état vide, l'écran LED cessera de fonctionner même si la télécommande peut encore envoyer des commandes. Remplacer les piles pour rétablir l'affichage.

### REMPACEMENT DE LA BATTERIE

Les piles épuisées doivent être retirées de l'appareil et éliminées en toute sécurité.



Veiller à ce que les piles électriques de la télécommande soient neuves et insérées correctement. Lors du remplacement des piles, veiller à disposer des vieilles piles conformément à la bonne pratique.

Un remplacement de la batterie est recommandé au bout de 1 an. La Télécommande a besoin de deux piles alcalines AAA 1,5V.

Assurez-vous que la polarité est correcte. Ne court-circuitez pas les bornes.

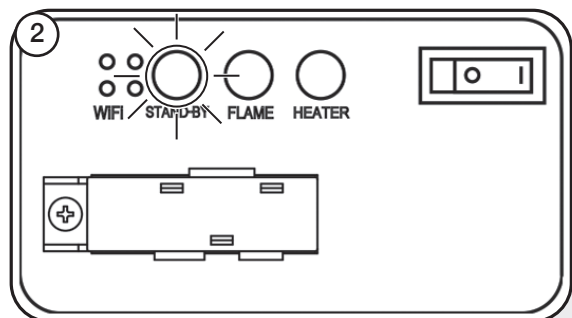
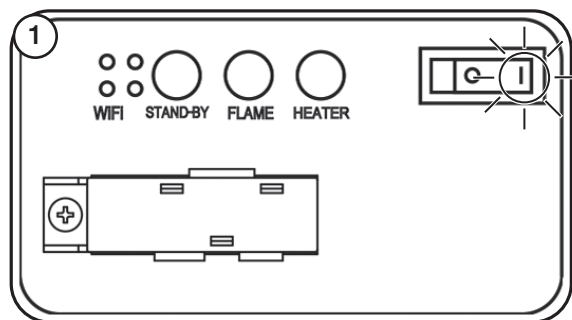
N'essayez pas de recharger des piles non rechargeables. Retirez les piles rechargeables avant de les charger. Ne mélangez pas des piles anciennes et neuves.

Retirez les piles si l'appareil n'est pas utilisé pendant de longues périodes.

**i** **REMARQUE :** Pour utiliser les fonctions de la télécommande et manuelles, l'interrupteur marche/arrêt manuel doit être sur la position 'ON'. Pour éviter une surchauffe du produit, il y a un délai de 10 s lors de la mise en marche de l'appareil de chauffage et un délai de 10 s lors de l'arrêt du ventilateur de l'appareil de chauffage.

**Le bouton manuel commande les fonctions de base, pas toutes les commandes. Utilisez la télécommande pour exécuter toutes les commandes.**

## BOUTON RÉINITIALISATION DE LA TÉLÉCOMMANDE

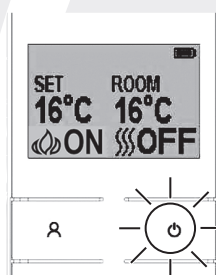


3 secondes



2 bips

3



1 bip

## CODE DE SIGNAL

La télécommande fonctionne par signal radio.  
L'émetteur portatif est configuré en usine avec un code de signal unique.

**IMPORTANT : Si le casque perd le signal ou doit être remplacé, veuillez consulter la Instructions d'entretien.**

## MAINTENANCE

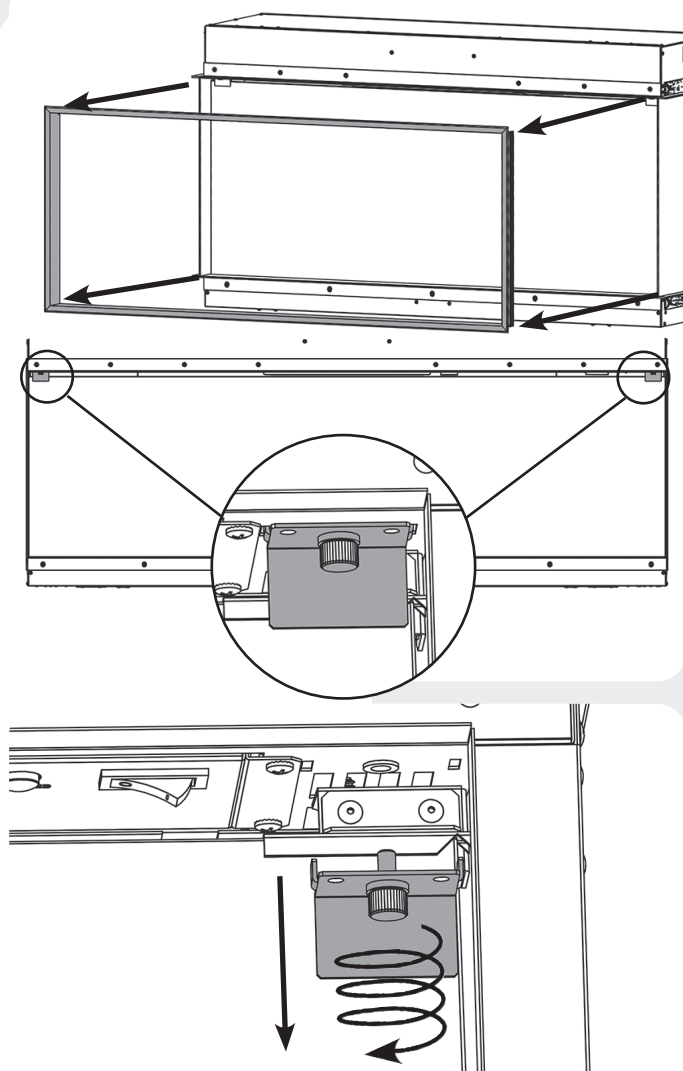
**TOUJOURS COUPER L'ALIMENTATION ÉLECTRIQUE PRINCIPALE AVANT D'ENTREPRENDRE LE NETTOYAGE OU L'EXÉCUTION DE LA MAINTENANCE.**

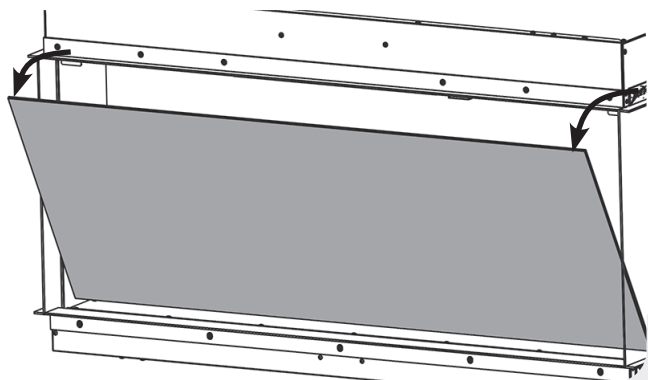
### VERRE NETTOYAGE

Essuyer le panneau vitré d'observation avec un chiffon humide et le polir avec un chiffon non pelucheux.

**Attention : ne pas utiliser de nettoyants abrasifs sur le panneau en verre. Ne pas projeter de liquide directement sur les surfaces de l'appareil.**

### NETTOYAGE DE L'EFFET DE CARBURANT





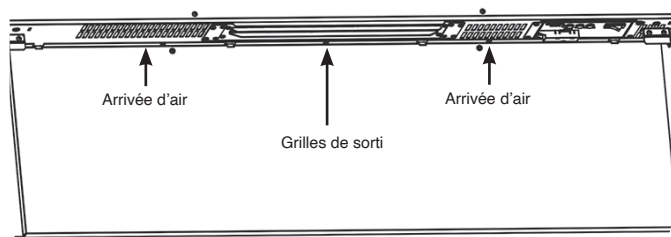
Déposer et laver l'effet combustible pour éliminer toute particule de poussière. Autrement, le nettoyer avec un chiffon sans peluches. **Veiller à ce que l'effet soit sec avant de le remettre en place.**

**Lors du remplacement des effets combustibles, voir Installation, pour obtenir les instructions d'agencement.**

Remonter dans l'ordre inverse.

## NETTOYAGE DES ARRIVÉES D'AIR

Nettoyer l'arrivée d'air et les grilles de sortie régulièrement à l'aide d'un chiffon doux ou du bec d'un aspirateur.



**L'accumulation de poussière réduit l'efficacité du ventilateur et peut provoquer le déclenchement du dispositif d'arrêt d'urgence.**

Maintenir les alentours du poêle propres et libres de peluche, de poussière ou de poils d'animaux.

En particulier, l'accumulation de poussière etc. peut avoir lieu autour de la zone de chauffage sur le haut de l'appareil. Prendre particulièrement soin de maintenir cette surface libre de débris régulièrement pour éviter l'accumulation.

## INSTALLATION

### GÉNÉRAL

#### OUTILS NÉCESSAIRES

Un tournevis, un niveau et une perceuse.

#### DÉBALLAGE DE L'APPAREIL

**ATTENTION ! NE PAS utiliser cet appareil si l'un de ses composants a été exposé à l'eau.**

Faire appel immédiatement à un technicien de service qualifié pour inspecter et remplacer tout composant du système électrique, le cas échéant.

Ouvrir l'emballage avec précaution et enlever le polystyrène. Enlever et disposer du sac en plastique. Conserver les emballages en plastique hors de la portée des enfants. Soyez responsable lors de la manutention des matériaux d'emballage.

Avant de disposer de l'emballage, vérifier qu'il ne contient aucun composant ou accessoire. Au besoin, conserver l'emballage d'origine pour un transport et/ou entreposage futur.

Testez l'appareil avant l'utilisation.

### INSTALLATION DE L'APPAREIL

#### CHOIX DE L'EMPLACEMENT DU FUSION ÉLECTRIQUE

Votre nouveau Fusion Électrique peut être installé pratiquement n'importe où chez vous. Toutefois lors du choix de l'emplacement respecter les instructions générales suivantes.

**Dans l'idéal, l'appareil de chauffage doit être installé dans/sur un mur plat interne à ossature ou en blocs de plâtre/briques. Les fixations fournies sont RÉSERVÉES aux murs en brique. Veillez à utiliser des fixations adaptées lors de l'installation sur un mur creux ou dans une cavité pratiquée sur mesure. REMARQUE : Cet appareil ne doit pas être installé sur un mur creux, contre un mur extérieur, une cheminée ouverte ou une ouverture pouvant être sujette à l'humidité ou aux courants d'air, à moins d'avoir pris des précautions adéquates pour éviter que l'appareil n'entre en contact avec l'humidité ou des courants d'air excessifs. Dans de telles installations, toute cheminée existante et/ou ventilations fournies spécifiquement doivent être entièrement fermées.**

Pour les meilleurs résultats possibles, éviter de l'installer directement en plein soleil.

**L'appareil doit être installé dans une enceinte à ossature murale spécialement conçue à cet effet. Veillez à utiliser des fixations adaptées lors de l'installation sur un mur creux.**

**Assurez-vous qu'il n'y a pas de tuyaux ou de câbles derrière la zone à être percés ou coupés.**

Veillez toujours à ce que l'appareil soit soutenu de manière adéquate et soit posé sur une structure solide lors du montage au-dessus du sol.

Si le câble d'alimentation électrique est endommagé, il doit être réparé par le fabricant, l'un de ses centres d'entretien autorisés ou une personne professionnelle.

L'appareil doit être installé à proximité d'une prise de courant appropriée pour en permettre le branchement. La prise électrique doit être facile d'accès pour permettre le débranchement une fois l'appareil installé.

**AVERTISSEMENT ! CONSERVER LES MATÉRIAUX COMBUSTIBLES À AU MOINS 1 M DE DISTANCE DU DEVANT ET DES CÔTÉS DE L'APPAREIL ÉLECTRIQUE.**

### INSTRUCTIONS D'ENTRETIEN



**PENDANT ENTRETIEN DE L'APPAREIL, IL PEUT ÊTRE NÉCESSAIRE DE COUPER LES LIENS DE CÂBLE POUR ACCÈS ET À LEVER CERTAINES DES PARTIES. IL FAUT LES REMPLACER LORS DU REMONTAGE L'APPAREIL.**

**LA MAINTENANCE DE CET APPAREIL NE DOIT ÊTRE EFFECTUÉE QUE PAR UNE PERSONNE QUALIFIÉE. AVANT D'EFFECTUER DES TRAVAUX SUR L'APPAREIL: ARRÊTER L'APPAREIL ET ISOLER L'ALIMENTATION ÉLECTRIQUE EN VÉRIFIANT QUE L'APPAREIL N'EST PLUS ALIMENTÉ.**

Attendre au moins 10 minutes jusqu'à ce que l'appareil soit froid.

#### Remplacement de la pile électrique de la télécommande

La remplacer avec 2 x pile électrique de type AAA. Vérifier que la pile est installée correctement dans la télécommande.



**REMARQUE : la télécommande comporte un témoin de piles (coin supérieur droit) ; après un affichage prolongé de l'état vide, l'écran LED cessera de fonctionner même si la télécommande peut encore envoyer des commandes. Remplacer les piles pour rétablir l'affichage.**

#### Maintenance des moteurs

Les moteurs du ventilateur et de l'effet flamme sont prégraissés pour prolonger la durée de vie des roulements et ne nécessitent aucun graissage supplémentaire. Toutefois, il est recommandé de nettoyer à l'aide d'un aspirateur périodiquement l'unité ventilateur/chauffage.

#### Réenclenchement du disjoncteur thermique

L'appareil est équipé d'un dispositif de sécurité électronique. C'est un dispositif de sécurité qui éteint l'appareil en cas de surchauffe de celui-ci, par ex. lorsqu'il est recouvert.

Si le chauffage s'arrête alors que l'effet flamme continu normalement, cela indique que le dispositif de sécurité est en cours de fonctionnement.

Le dispositif de sécurité ne peut être réenclenché que lorsque l'appareil est froid.

Réenclenchement du dispositif de sécurité :

Éteindre l'appareil (interrupteur manuel On/Off) et le laisser refroidir pendant 120 minutes.

Dégager toute obstruction de la sortie du ventilateur de chauffage ou de toutes autres parties internes.

Allumer l'appareil et le dispositif de sécurité se réenclenchera.

Vérifier que l'appareil fonctionne correctement. Si le dispositif de contrôle se déclenche de nouveau, l'appareil doit être vérifié par un électricien compétent.



# Service, der über das übliche Maß hinausgeht

Herzlichen Glückwunsch zum Kauf Ihres Onyx-Ofens oder Kamins.

Wenn Sie ein Onyx-Produkt besitzen, können Sie das Beste erwarten, was britisches Kaminofen-Design und Technik zu bieten haben. So bringen Sie nicht nur außergewöhnliche Heizleistung in Ihr Zuhause, sondern auch Charakter und Individualität.

Wir legen großen Wert darauf, dass unsere Kaminöfen nach den höchstmöglichen Qualitätsstandards entwickelt, getestet und hergestellt werden. Wir sind stolz darauf, Ihnen einen beispielhaften Kundendienst zu bieten, der weit über das übliche Maß hinausgeht und Ihnen jahrelange Freude an Ihrem Onyx-Kauf garantiert.

**WICHTIG**

**TEILE DES AUSSENGEHÄUSES DIESES GERÄTS WERDEN VOM HERSTELLER ALS WIRKFLÄCHE BETRACHTET, DIE HEISS WIRD, WENN DAS HEIZGERÄT EINGESCHALTET WIRD. ES WIRD DAHER EMPFOHLEN, IN DER ANWESENHEIT VON KLEINEN KINDERN, ÄLTEREN ODER GEBRECHLICHEN MENSCHEN EIN KAMINGITTER ZU VERWENDEN, DAS BS 8423 (AKTUELLE VERSION) ENTSPRICHT.**

**DAS AUSLASSGITTER DES HEIZGERÄTS WIRD IM BETRIEB SEHR HEISS.**

**DECKEN SIE DAS AUSLASSGITTER ODER ANDERE TEILE DES GERÄTS NICHT AB.**

Nur für die Verwendung mit 230 V 50 Hz Stromanschluss.

Bitte lesen Sie diese Anleitung vor der Installation sorgfältig durch und bewahren Sie sie an einem sicheren Ort auf.

Die enthaltenen Anweisungen werden benötigt, wenn eine Wartung oder Instandhaltung erforderlich ist.

**DIESES GERÄT MUSS GEERDET WERDEN**

**DIESES PRODUKT IST NUR FÜR GUT ISOLIERTE RÄUME UND GELEGENTLICHEN GEBRAUCH GEEIGNET.**

## WICHTIGE INFORMATIONEN ZU GESUNDHEIT UND SICHERHEIT

**Lesen Sie alle Anweisungen sorgfältig durch, bevor Sie das Gerät verwenden.**

**Entfernen Sie alle Verpackungen und entsorgen Sie diese in einer geeigneten Recyclinganlage.**

Stellen Sie dieses Gerät nicht unmittelbar unter einer festen Steckdose auf.

Teile des Außengehäuses dieses Geräts werden vom Hersteller als Wirkfläche betrachtet, die heiß wird, wenn das Heizgerät eingeschaltet wird. Zum Schutz von Kindern, älteren und gebrechlichen Personen müssen Sie ein geeignetes Kamingitter verwenden.

Verwenden Sie dieses Gerät nicht in der unmittelbaren Umgebung einer Badewanne, einer Dusche, eines Schwimmbeckens oder in einem anderen Bereich, in dem das Gerät mit Wasser oder Feuchtigkeit in Berührung kommen könnte, z. B. in einem Badezimmer.



### **ACHTUNG! NICHT ABDECKEN**

Achten Sie darauf, dass das Gerät nicht abgedeckt und der Lufteinlass/-auslass nicht blockiert wird, da das Gerät sonst überhitzen kann. Beachten Sie das Warnsymbol auf dem Gerät (siehe oben).

**Nur zur Verwendung in geschlossenen Räumen.** Dieses Gerät ist nicht für den Gebrauch im Freien geeignet.

Dieses Gerät muss in eine speziell angefertigte Holzlattenumfassung eingebaut werden. Stellen Sie sicher, dass das Gerät eben ist und dass Möbel, Vorhänge usw. nicht näher als 1 m positioniert sind.

Falls das Netzkabel durch Mauerwerk, eine Steinumrandung o. Ä. geführt werden muss, stellen Sie sicher, dass geeignete Gummibuchsen an den möglichen Scheuerstellen angebracht werden.

Bei der Installation in einem offenen Kamin muss der Schornstein abgedeckt werden, um das Risiko eines Windzugs zu verringern, der zum Auslösen der Sicherheitsabschaltung führen kann.

Halten Sie das Stromkabel fern von heißen Flächen und hohen Temperaturen. Führen Sie das Stromkabel nicht vor dem Gerät entlang.

Der Stecker muss nach der Montage des Gerätes noch zugänglich sein.

Verwenden Sie das Gerät bei Beschädigung des Netzkabels nicht, bis das Kabel ersetzt worden ist. Aus Sicherheitsgründen muss der Austausch von einem Onyx-Servicemitarbeiter oder einer Elektrofachkraft durchgeführt werden.

**VORSICHT:** Um eine Gefährdung durch versehentliches Rücksetzen des Thermoschutzes zu vermeiden, darf dieses Gerät nicht über ein externes Schaltgerät, wie z. B. eine Zeitschaltuhr oder über einen anderen automatischen Ein- und Ausschalter betrieben werden.

Nehmen Sie das Gerät nicht in Betrieb, wenn es beschädigt ist.

Reparaturen an elektrischen Geräten dürfen nur von einer Elektrofachkraft durchgeführt werden. Sollte das Gerät nicht funktionieren oder beschädigt sein, wenden Sie sich bitte an den Händler, bei dem Sie das Gerät erworben haben.

Dieses Gerät darf von Kindern über 8 Jahren sowie von Personen mit verringerten physischen, sensorischen oder mentalen Fähigkeiten oder Mangel an Erfahrung und Wissen benutzt werden, wenn sie beaufsichtigt oder bezüglich des sicheren Gebrauchs des Geräts unterwiesen wurden und ein Verständnis der möglichen Gefahren besitzen. Kinder dürfen nicht mit dem Gerät spielen. Die Reinigung und Benutzerwartung darf nicht von Kindern ohne Aufsicht durchgeführt werden.

Kinder unter 3 Jahren sollten ferngehalten werden, sofern sie nicht ständig beaufsichtigt werden.

Kinder im Alter von 3 bis unter 8 Jahren dürfen das Gerät nur dann ein- und ausschalten, wenn es in der vorgesehenen normalen Betriebsposition aufgestellt oder installiert ist und sie beaufsichtigt oder bezüglich des sicheren Gebrauchs des Geräts unterwiesen wurden und ein Verständnis der möglichen Gefahren besitzen. Kinder zwischen 3 und 8 Jahren dürfen das Gerät nicht einstecken, regulieren und reinigen oder Wartungsarbeiten durchführen.

**Vorsicht: Teile dieses Produkts können sehr heiß werden und Verbrennungen verursachen. Besondere Vorsicht ist geboten, wenn Kinder und gefährdete Personen anwesend sind.**

**Onyx empfiehlt jedoch Folgendes:**

**Dieses Gerät ist nicht geeignet zur Verwendung durch Personen unter 12 Jahren, Personen mit eingeschränkten physischen, sensorischen bzw. geistigen Fähigkeiten oder Personen, die nicht über die erforderliche Erfahrung und Kenntnis zum sicheren Betrieb des Gerätes verfügen.**

Das Gerät darf durch Personen über 12 Jahren betrieben werden, sofern sie zum sicheren Gebrauch des Gerätes angeleitet wurden und ein Verständnis der möglichen Gefahren besitzen. Ebenso dürfen Personen über 12 Jahren das Gerät unter der Aufsicht einer erwachsenen Person betreiben.

Da Teile dieses Gerätes im Betrieb heiß werden, sollten Personen unter 12 Jahren unter keinen Umständen während des Betriebs mit dem Gerät alleine gelassen werden, sofern kein geeignetes Schutzgitter zur Vermeidung eines direkten Berührens des Gerätes verwendet wird.

Kinder dürfen nicht mit dem Gerät spielen.

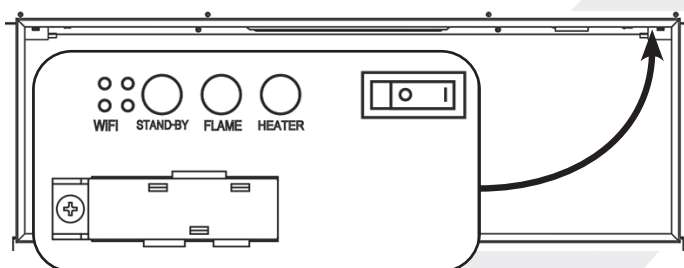
Die Reinigung und Benutzerwartung darf nicht von Kindern ohne Aufsicht durchgeführt werden.

## BEDIENUNGSANLEITUNG

**ACHTUNG!** Nehmen Sie das Gerät nicht in Betrieb, wenn es beschädigt ist oder eine Funktionsstörung aufweist. Wenn Sie vermuten, dass das Gerät beschädigt ist oder eine Fehlfunktion aufweist, wenden Sie sich an einen qualifizierten Servicetechniker, der das Gerät überprüft und gegebenenfalls Teile der elektrischen Anlage austauscht, bevor Sie es wieder verwenden.

Trennen Sie das Gerät nicht vom Netz, während es in Betrieb ist. Verwenden Sie die Funktionen auf der Fernbedienung, um den Kamin auszuschalten, und vergewissern Sie sich, dass der Netzschalter in die Aus-Stellung gebracht wurde, bevor Sie die Netzverbindung trennen.

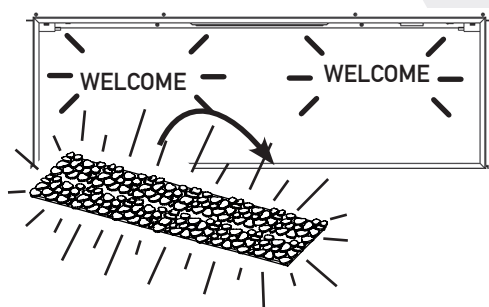
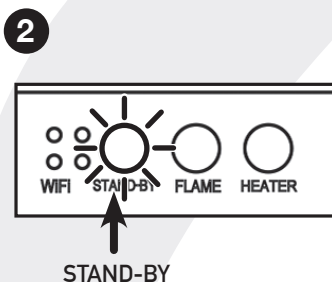
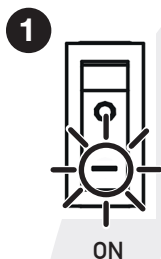
### MANUELLES BEDIENFELD



**HINWEIS:** Um sowohl die Fernbedienung als auch die manuellen Funktionen nutzen zu können, muss der manuelle Ein/Aus-Schalter in der Position „EIN“ stehen.

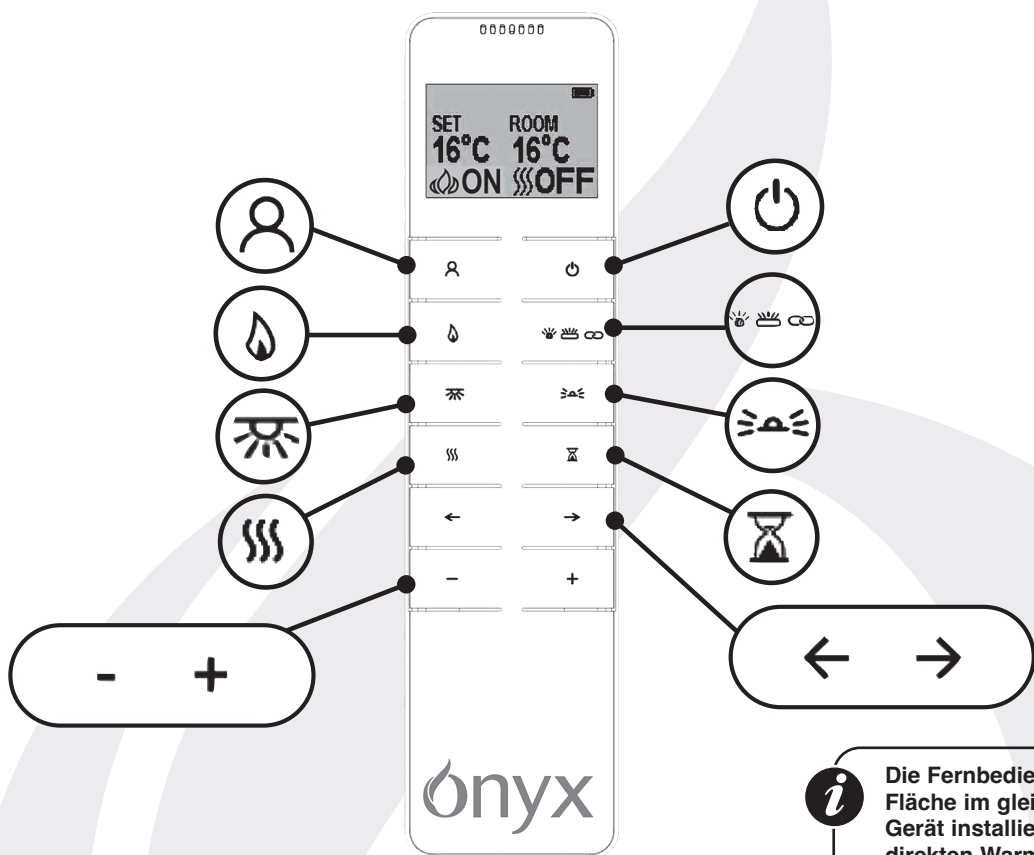
Um eine Überhitzung des Produkts zu vermeiden, tritt beim Ein- und Ausschalten des Heizungslüfters eine Verzögerung von 10 Sekunden auf.

Über das manuelle Bedienfeld werden grundlegende Funktionen gesteuert. Verwenden Sie die Fernbedienung, um sämtliche Funktionen ausführen zu können.








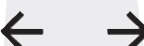
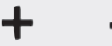
TASTE	FUNKTION	VORGANG
<p>AUS EIN</p>	<p><b>EIN:</b> Schaltet den Standby-Modus ein. Aktiviert alle Funktionen und die Fernbedienung.</p> <p><b>AUS:</b> Schaltet alle Kaminfunktionen aus und deaktiviert die Fernbedienung.</p>	Schalten Sie den Hauptschalter ein. Ein langer Piepton ist zu hören, wenn der Schalter auf EIN gestellt wird.
<p>POWER ON/OFF</p>	<p>Diese Taste drücken, um die Flamme einzuschalten oder den Kamin auszuschalten.</p> <p><b>KOPPLUNG:</b> Drücken Sie den Taste, bis 2 kurze Signaltöne vom Gerät ausgehen, und lassen Sie die Taste los. Drücken Sie  innerhalb von 10 Sekunden die Taste auf der Fernbedienung. Die Kopplung ist beendet, wenn 1 langer Signalton vom Gerät ertönt.</p>	
<p>FLAMME</p>	<p>Durchläuft 9 Stufen mit verschiedenen Flammeneinstellungen. Dies entspricht der Einstellung von MY FLAME auf der Fernbedienung und der App. Halten Sie die Taste 3 Sekunden lang gedrückt, um den Signalton für die Tasten und die Fernbedienung auszuschalten.</p>	Wählen Sie aus 9 Stufen mit verschiedenen Flammeneinstellung und Flamme aus.
<p>HEATER</p>	<p>Taste drücken, um zwischen LOW-HIGH-OFF zu wählen.</p>	Die Heizung wird von Niedrig – Hoch – Heizung Aus umgeschaltet. Die Kontrollleuchte leuchtet, wenn die Heizung eingeschaltet ist. Die Kontrollleuchte erlischt innerhalb von 10 s.
<p>WIFI WIFI</p>	<p>Drücken Sie diese Taste, um das Netzwerk zu verbinden oder zu trennen.</p>	Die Kontrollleuchte leuchtet, wenn das WLAN eingeschaltet ist.

## FERNBEDIENUNG

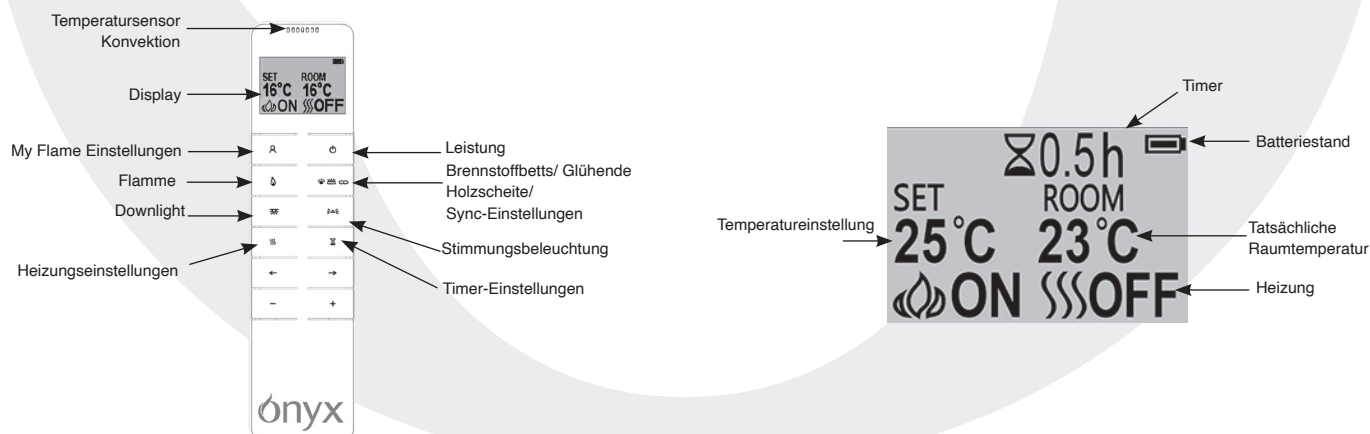


**i** Die Fernbedienung sollte auf einer ebenen Fläche im gleichen Raum liegen, in dem das Gerät installiert ist, und außerhalb eines direkten Warmluftstroms.

TASTE	FUNKTION	VORGANG
	<b>EIN/AUS</b>	Die <b>EIN/AUS</b> -Taste schaltet den Kamin ein und wechselt in den Standby-Modus. Dadurch werden alle Funktionen gleichzeitig ein- und ausgeschaltet, die Einstellungen bleiben jedoch gespeichert.
	<b>MY FLAME</b>	Drücken Sie die Taste <b>MY FLAME</b> gefolgt von '+' und '-' oder '←' und '→'. Das Gerät durchläuft 9 Flammeneinstellungen. Die Flammen 1-6 sind Standardeinstellungen, 7-9 können als benutzerdefinierte Einstellungen gespeichert werden.
	<b>FLAMME</b>	Drücken Sie die Taste <b>FLAMME</b> , um die Anzeige zur Einstellung des Flammeneffekts aufzurufen. Drücken Sie die '←' oder '→' Taste, um durch die Optionen für die 16 Flammenfarbe zu navigieren einschließlich Aus. Drücken Sie die Tasten '+' und '-', um die Helligkeit von 20 bis 100 % einzustellen. Es gibt insgesamt 5 Einstellungen.


TASTE	FUNKTION	VORGANG
	<b>BRENNSTOFFBETTS/ GLÜHENDE HOLZSCHEITE /SYNC</b>	<p>Drücken Sie die Taste, um die Einstellungen für das <b>GLUTBETT</b> aufzurufen. Drücken Sie die Taste '←' und '→', um zwischen Rot – Glut – Gelb – Grün – Cyan – Blau – Violett – Weiß – 13-Farben-Zyklus – Aus zu wechseln.</p> <p>Drücken Sie die Tasten '+' und '-', um die Helligkeit von 20 bis 100 % einzustellen. Es gibt insgesamt 5 Einstellungen.</p> <p>Drücken Sie die Taste erneut, um die Einstellungen für <b>GLÜHENDE HOLZSCHEITE</b> aufzurufen. Drücken Sie die Taste '←' und '→', um zwischen Rot – Glut – Gelb – Grün – Cyan – Blau – Violett – Weiß – 13-Farben-Zyklus – Aus zu wechseln.</p> <p>Drücken Sie die Tasten '+' und '-', um die Helligkeit von 10 bis 100 % einzustellen. Es gibt insgesamt 5 Einstellungen.</p> <p>Drücken Sie die Taste ein viertes Mal, um in den <b>SYNC</b>-Modus zu gelangen. Die Farben des Brennstoffbetts und der Holzscheite können synchronisiert werden.</p> <p>Drücken Sie die Taste '←' und '→', um zwischen Rot – Glut – Gelb – Grün – Cyan – Blau – Violett – Weiß – 13-Farben-Zyklus – Aus zu wechseln.</p> <p>Drücken Sie die Tasten '+' und '-', um die Helligkeit von 20 bis 100 % einzustellen. Es gibt insgesamt 5 Einstellungen.</p>
	<b>DOWNLIGHT</b>	<p>Drücken Sie die Taste erneut, um die Einstellungen für das <b>DOWNLIGHT</b> aufzurufen. Drücken Sie die Taste '←' und '→', um zwischen Gelb – Weiß – Aus zu wechseln.</p> <p>Drücken Sie die Tasten '+' und '-', um die Helligkeit von 10 bis 100 % einzustellen. Es gibt insgesamt 5 Einstellungen.</p>
	<b>STIMMUNGSLICHT</b>	<p>Drücken Sie die Taste, um die Einstellungen für das <b>STIMMUNGSLICHT</b> aufzurufen. Sie können zwischen Kaltweiß – Weiß – Warmweiß – Hellglut – Glut – Gelb – Goldgelb – Rot – Grün – Cyan – Blau – Hellviolett – Violett -13 Farbwechsel und Aus wählen.</p> <p>Drücken Sie die Tasten '+' und '-', um die Helligkeit von 10 bis 100 % einzustellen. Es gibt insgesamt 5 Einstellungen.</p>
	<b>HEIZUNG</b>	<p>Drücken Sie die Taste <b>HEIZEN</b>, um zwischen folgenden Heizeinstellungen zu wechseln: AUT - LOW - HIGH - OFF.</p> <p>Die AUTO-Heizung funktioniert, nachdem der Wochentimer in der MyFlame App eingestellt wurde.</p>
	<b>TIMER</b>	<p>Drücken Sie die <b>TIMER</b>-Taste, um die gewünschte Betriebszeit für den Kamin einzustellen. Der Timer kann auf 0,5H, 1,0H und dann pro Stunde bis auf 10,0H eingestellt werden.</p>
	-	<p>Drücken Sie die Taste '←' und '→', um verschiedene Einstellungen zu wählen, z. B. die Farbeinstellungen der entsprechenden Funktion.</p>
	-	<p>Drücken Sie die '+'- und '-'-Taste, um die Einstellungen zu erhöhen oder zu verringern, z. B. die Lichteinstellung.</p>


## BETRIEB DES GERÄTS - ERWEITERTE BEDIENUNG






## EIN-/AUSSCHALTEN

Drücken Sie die Taste , um den Flammeneffekt einzuschalten.

Drücken Sie die Taste , um alle Funktionen im manuellen Heizungsregelungsmodus auszuschalten.

Drücken Sie die Taste , um den Flammeneffekt im AUTO-Heizmodus auszuschalten.

## WOCHENTAGE/UHRZEIT/KOMFORTTEMPERATUR UND GERÄTEEINSTELLUNG

Diese Einstellungen können über die MyFlame App festgelegt und gesteuert werden.


## EINSTELLEN DER SOLLTEMPERATUR

Drücken Sie die Taste '+' oder '-', um die Temperatur zu erhöhen oder zu verringern.

## ADAPTIVE REGELUNG DES HEIZBEGINNS

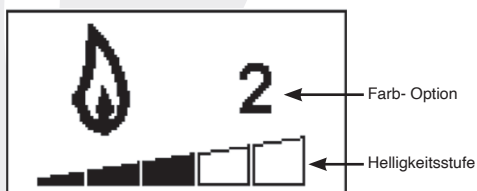
Das Heizgerät ermittelt automatisch die geeignete Zeit zum Aufheizen, um sicherzustellen, dass die Solltemperatur zur eingestellten Zeit erreicht wird.

## EINSTELLUNG DER FLAMMENFARBE

Drücken Sie die Taste .

Es gibt 16 Flammenfarboptionen, einschließlich AUS.

Es gibt 5 Helligkeitsstufen.



Drücken Sie die Taste '<' oder '>', um durch die Optionen für die Flammenfarbe zu navigieren.

Drücken Sie die '+' Taste, um die Flammenhelligkeit zu erhöhen.

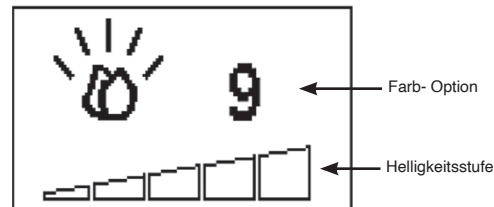
Drücken Sie die '-' Taste, um die Flammenhelligkeit.

## EINSTELLUNG DES BRENNSTOFFBETTS

Drücken Sie die Taste   , bis  angezeigt wird.

Es gibt 10 Flammenfarboptionen, einschließlich AUS.

Es gibt 5 Helligkeitsstufen.



Drücken Sie die Taste '<' oder '>', um durch die Farboptionen des Brennstoffbetts zu navigieren.

Drücken Sie die '+' Taste, um die Helligkeit des Brennstoffbetts zu erhöhen.

Drücken Sie die '-' Taste, um die Helligkeit des Brennstoffbetts bis zum Ausschalten zu verringern.

## EINSTELLUNG DER GLÜHENDEN HOLZSCHEITE

Drücken Sie die Taste   , bis  angezeigt wird.

Es gibt 10 Flammenfarboptionen, einschließlich AUS.

Es gibt 6 Helligkeitsstufen, einschließlich Aus.



Drücken Sie die Taste '<' oder '>', um durch die Farboptionen des Brennstoffbetts zu navigieren.

Drücken Sie die '+' Taste, um die Helligkeit des Brennstoffbetts zu erhöhen.

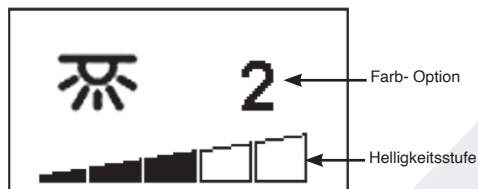
Drücken Sie die '-' Taste, um die Helligkeit des Brennstoffbetts.

## DOWNLIGHT-EINSTELLUNG

Drücken Sie die Taste  angezeigt wird.

Es gibt 3 Flammenfarboptionen, einschließlich AUS.

Es gibt 6 Helligkeitsstufen.



Drücken Sie die Taste '←' oder '→', um durch die Farboptionen des Brennstoffbetts zu navigieren.

Drücken Sie die '+' Taste, um die Helligkeit des Brennstoffbetts zu erhöhen.

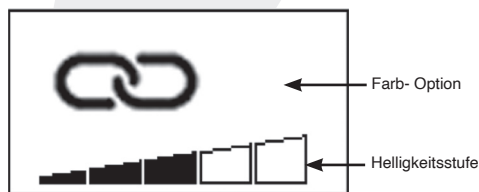
Drücken Sie die '-' Taste, um die Helligkeit des Brennstoffbetts.

## FARB-SYNCHRONISATIONSOPTION

Drücken Sie die Taste   , bis  angezeigt wird. Diese Funktion verbindet alle Farben miteinander.


Es gibt 10 Flammenfarboptionen, einschließlich AUS.

Es gibt 5 Helligkeitsstufen.



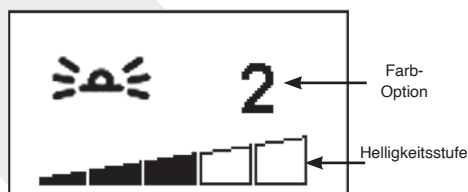
Drücken Sie die Taste '←' oder '→', um durch die Farboptionen zu navigieren.

## EINSTELLUNG DES STIMMUNGSLICHTS

Drücken Sie die Taste .

Es gibt 14 Flammenfarboptionen, einschließlich AUS.

Es gibt 5 Helligkeitsstufen.




Drücken Sie die Taste '←' oder '→', um durch die Farboptionen des Brennstoffbetts zu navigieren.

Drücken Sie die '+' Taste, um die Helligkeit des Brennstoffbetts zu erhöhen.

Drücken Sie die '-' Taste, um die Helligkeit des Brennstoffbetts bis zum Ausschalten zu verringern.

## MY FLAME VOREINSTELLUNGEN

Drücken Sie die  Taste und die voreingestellte Nummer wird angezeigt.

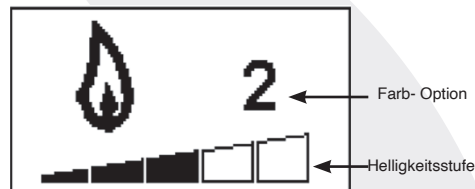


Es gibt 9 Einstellungen.

Drücken Sie die '+' oder '-' Taste oder '←' oder '→', um die Voreinstellung zu ändern.

1-9 sind realistische Flammenkombinationen.

7-9 wurden für benutzerdefinierte Flammenkombinationen erstellt.



So erstellen Sie einen benutzerdefinierten Flammeneffekt:

Ändern Sie die Farbe und Intensität von Hauptflamme/Flammenpalette/Glutbett/Holzscheite/Downlight und Geschwindigkeit (nicht LED-Leiste für Stimmungslicht).


Um die Einstellungen zu bestätigen, drücken Sie mindestens 3 Sekunden lang die Taste MY FLAME. Die Fernbedienung bietet die Möglichkeit, sie auf 7, 8 oder 9 zu speichern.

Wählen Sie die Nummer (+ oder - / '←' oder '→') und drücken Sie erneut die Taste MY FLAME.

Ihre persönliche Einstellung wird gespeichert.

## COUNTDOWN-TIMER




Diese Einstellung ist nur im Normalmodus möglich. Damit kann das Gerät nach einer festgelegten Zeit wieder in den Standby-Modus zurückversetzt werden. Um diese Funktion zu nutzen, muss die Heizung eingeschaltet sein.

Drücken Sie  um zwischen den Einstellungen AUS, sowie 0,5 Stunden bis 10 Stunden zu wechseln. Das Timer-Logo und die verbleibende Zeit werden auf dem Bildschirm angezeigt.

## BEDIENUNG DES GERÄTS - FEHLERBEHEBUNG

### BATTERIE

Der Batteriestand wird oben rechts auf der Fernbedienung angezeigt.

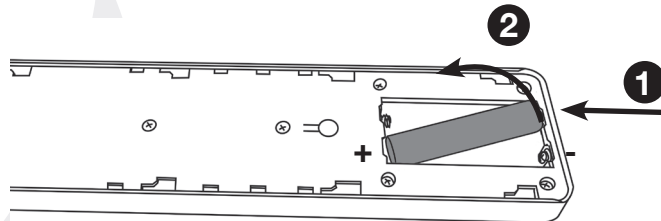
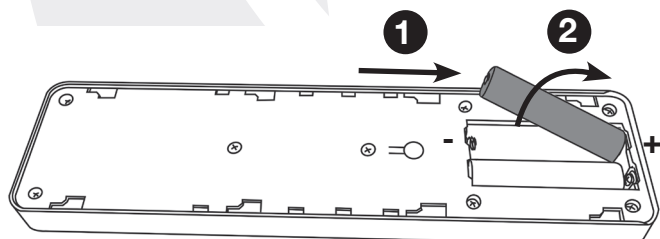
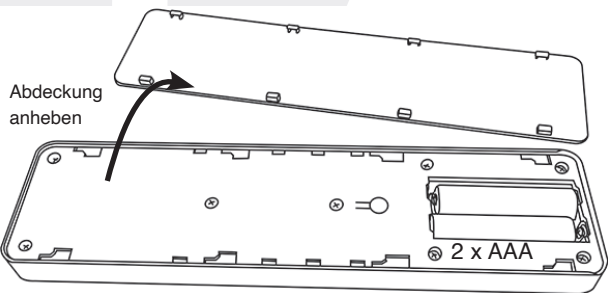
	Batterie voll	Keine Maßnahme erforderlich
	Batterie halb aufgebraucht	Stellen Sie sicher, dass Sie neue Batterien auf Vorrat haben.
	Batterie leer	Batterien sofort austauschen

**i** **HINWEIS:** Die Fernbedienung verfügt über eine Batteriestatusanzeige (obere rechte Ecke). Nach längerem Betrieb mit leerer Batterie funktioniert der LED-Bildschirm nicht mehr, obwohl die Fernbedienung weiterhin Befehle senden kann. Ersetzen Sie die Batterien, um das Display wiederherzustellen.

### AUSTAUSCH DER BATTERIE

Leere Batterien sind aus dem Gerät zu entfernen und sicher zu entsorgen.

Abdeckung schieben →



Vergewissern Sie sich, dass die Batterien neu sind und richtig eingelegt wurden.

Entsorgen Sie alte Batterien bei einer geeigneten Recyclingstelle.

Es wird ein Batteriewechsel nach 1 Jahr empfohlen. Die Fernbedienung benötigt zwei 1,5-V-Alkalibatterien vom Typ AAA.

Achten Sie auf die richtige Polarität. Klemmen nicht kurzschließen.

Versuchen Sie nicht, nicht wiederaufladbare Batterien aufzuladen.

Entfernen Sie wiederaufladbare Batterien vor dem Laden.

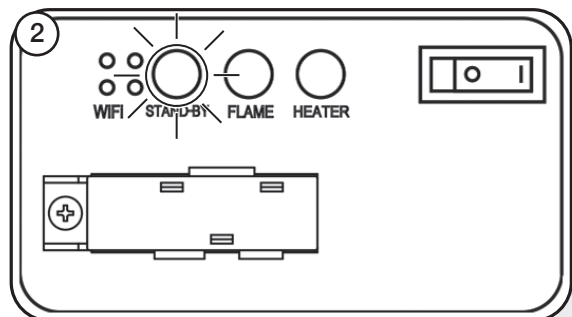
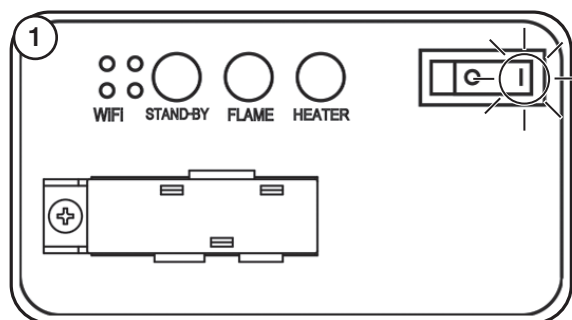
Mischen Sie keine alten und neuen Batterien.

Entnehmen Sie die Batterien, wenn das Gerät längere Zeit nicht benutzt wird.

**i** **HINWEIS:** Um sowohl die Fernbedienung als auch die manuellen Funktionen nutzen zu können, muss der manuelle Ein/Aus-Schalter in der Position „EIN“ stehen. Um zu verhindern, dass das Gerät zu heiß wird, gibt es eine Verzögerung von 10 Sek. beim Einschalten des Heizelements und eine Verzögerung von 10 Sek. beim Ausschalten des Heizungsgebläses.

Die manuellen Tasten steuern grundlegende Funktionen, jedoch nicht den vollen Umfang der Steuerung. Verwenden Sie die Fernbedienung, um sämtliche Funktionen ausführen zu können.

## RESET-TASTE FÜR FERNBEDIENUNG

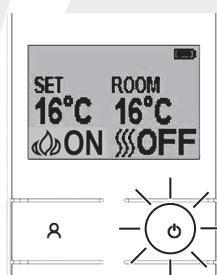


3 Sekunden



2 Pieptöne

3



1 Piepton

## SIGNALCODE

Die Fernbedienung ist werksseitig mit einem individuellen Signalcode konfiguriert.

**WICHTIG!** Wenn die Fernbedienung das Signal verliert oder ausgetauscht werden muss, finden Sie weitere Informationen im Abschnitt „Wartung“.

## WARTUNG

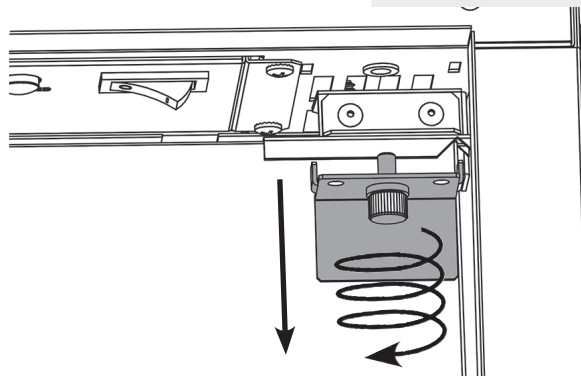
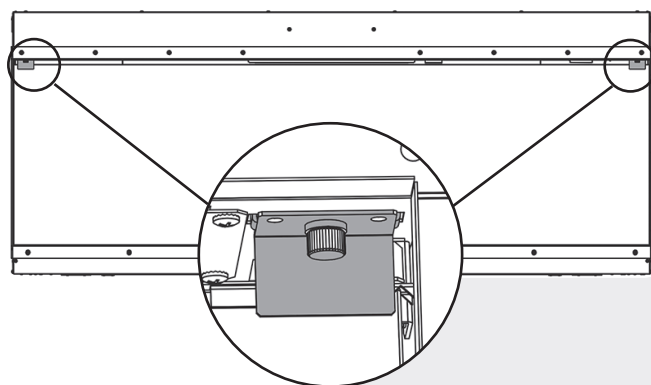
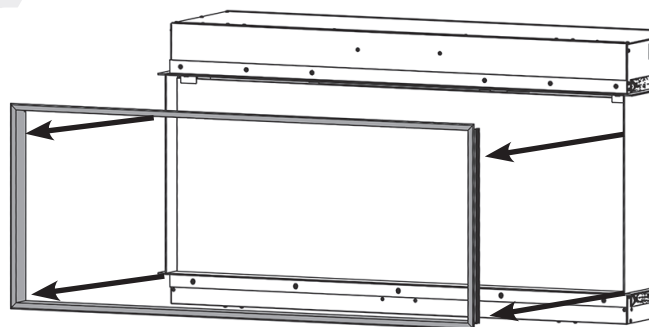
STELLEN SIE VOR DER REINIGUNG SICHER, DASS DAS GERÄT AUSGESCHALTET IST.

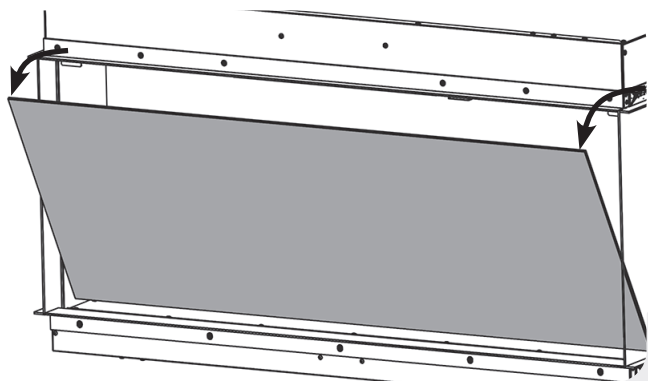
## GLASREINIGUNG

Wischen Sie die Glasscheibe mit einem feuchten Tuch ab und polieren Sie sie mit einem fusselfreien Staubtuch.

**Vorsicht!** Verwenden Sie keine Scheuermittel für die Glasscheibe. Sprühen Sie keine Flüssigkeiten direkt auf eine Oberfläche des Geräts.

## REINIGUNG DES BRENNSTOFFEFFEKTS





Entfernen und waschen Sie den Brennstoffeffekt, um Staubpartikel zu beseitigen.

Alternativ mit einem fusselfreien Staubtuch reinigen.

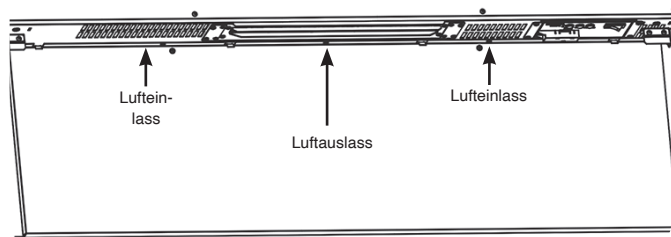
**Stellen Sie sicher, dass der Effekt trocken ist, bevor Sie ihn wieder einsetzen.**

**Setzen Sie den Brennstoffeffekt wieder ein, siehe Installationsanleitung Abschnitt 5 für die Auslegung.**

In umgekehrter Reihenfolge wieder einsetzen.

## REINIGUNG DER LUFTEINLÄSSE

Reinigen Sie die Luftein- und -austrittsgitter regelmäßig mit einem weichen Tuch oder der Düse eines Staubsaugers.



**Staubansammlungen können die effiziente Leistung des Lüfters beeinträchtigen und zum Ansprechen der Sicherheitsabschaltung führen.**

Halten Sie den Bereich um das Gerät sauber und frei von Flusen, Staub oder Tierhaaren.

Insbesondere kann es um den Heizbereich herum zu Staubbildung usw. kommen. Achten Sie besonders darauf, diesen Bereich regelmäßig zu reinigen, um Ablagerungen zu vermeiden.

## EINBAU

### ALLGEMEINES

#### ERFORDERLICHE WERKZEUGE

Es werden Schraubendreher, Wasserwaage, Säge und eine Bohrmaschine benötigt.

#### AUSPACKEN DES KAMINS

**ACHTUNG! Verwenden Sie das Gerät NICHT, wenn ein Teil davon mit Wasser in Berührung gekommen ist.**

Beauftragen Sie umgehend einen qualifizierten Servicetechniker mit der Inspektion des Gerätes und ggf. dem Austausch von Teilen der elektrischen Anlage.

Öffnen Sie die Verpackung vorsichtig und entfernen Sie das Styropor.  
Entfernen und entsorgen Sie den Plastikbeutel.  
Halten Sie Plastikverpackungen von Kindern fern.  
Gehen Sie verantwortungsvoll mit dem Verpackungsmaterial um.

Prüfen Sie, ob alle Teile und das Zubehör entnommen wurden, bevor Sie die Verpackung entsorgen.  
Bewahren Sie ggf. die Originalverpackung für den zukünftigen Transport und/oder die Lagerung auf.

Testen Sie das Gerät vor der Installation.

### EINBAU DES GERÄTS

#### STANDORT FÜR FUSION

Ihr neuer Fusion kann praktisch überall in Ihrem Zuhause installiert werden. Achten Sie jedoch bei der Standortwahl darauf, dass die allgemeinen Anweisungen beachtet werden.

Für eine optimale Funktion sollte das Gerät außerhalb direkter Sonneneinstrahlung montiert werden.

**Das Heizgerät sollte idealerweise in/an einer flachen Innenwand montiert werden, die entweder aus Ständerwerk mit Gipskartonplatten oder Mauerwerk besteht. Die mitgelieferten Befestigungen dürfen NUR an Backsteinmauern verwendet werden. Bitte stellen Sie sicher, dass bei der Befestigung in einem vorhandenen oder einem eigens dafür gebauten Hohlraum geeignete Befestigungsmittel verwendet werden.**

**HINWEIS: Dieses Gerät ist nicht für den Einbau in eine Hohlwand, die Rückwand einer Außenwand, einen offenen Kamin oder in eine Öffnung geeignet, die Feuchtigkeit und Zugluft ausgesetzt sein könnte, es sei denn, es werden angemessene Vorkehrungen getroffen, um zu verhindern, dass das Gerät mit Feuchtigkeit oder übermäßiger Zugluft in Kontakt kommt. Bei solchen Installationen sollten alle vorhandenen Schornsteine und/oder vorhandenen Entlüftungsöffnungen vollständig abgedichtet werden.**

**Vergewissern Sie sich, dass sich hinter dem zu bohrenden oder zu schneidenden Bereich keine Rohrleitungen oder Kabel befinden.**

Achten Sie immer darauf, dass das Gerät ausreichend abgestützt wird und die Wandkonstruktion stabil genug ist, wenn es über Bodenhöhe montiert wird.

Zum einfacheren Anschließen sollte das Gerät idealerweise in der Nähe einer geeigneten Netzsteckdose aufgestellt werden. Die Verlegung einer Verlängerung von einer vorhandenen Steckdose ist möglich, jedoch muss dies durch eine ausreichend qualifizierte Elektrofachkraft erfolgen. Die Netzsteckdose muss einfach zugänglich sein, um eine Trennung vom Stromnetz bei der Montage des Gerätes zu ermöglichen.

Falls das Netzkabel beschädigt wird, muss es durch den Hersteller, ein autorisiertes Kundendienstzentrum oder eine Elektrofachkraft repariert werden.

Stellen Sie sicher, dass sich keine Vorhänge oder Möbel in der Nähe des gewählten Aufstellortes befinden, da dies eine potenzielle Brandgefahr darstellen oder zum Blockieren der Auslasskanäle des Heizgerätes führen könnte.

**ACHTUNG! HALTEN SIE ALLE BRENNBAREN MATERIALIEN MINDESTENS 1 M VON DER VORDERSEITE DES ELEKTROKAMINS FERN.**

### INSTRUCTIONS D'ENTRETIEN



**PENDANT ENTRETIEN DE L'APPAREIL, IL PEUT ÊTRE NECESSAIRE DE COUPER LES LIENS DE CÂBLE POUR ACCÈS ET À LEVER CERTAINES DES PARTIES.  
IL FAUT LES REMPLACER LORS DU REMONTAGE L'APPAREIL.**

**LA MAINTENANCE DE CET APPAREIL NE DOIT ÊTRE EFFECTUÉE QUE PAR UNE PERSONNE QUALIFIÉE.  
AVANT D'EFFECTUER DES TRAVAUX SUR L'APPAREIL:  
ARRÊTER L'APPAREIL ET ISOLER L'ALIMENTATION ÉLECTRIQUE EN VÉRIFIANT QUE L'APPAREIL N'EST PLUS ALIMENTÉ.**

Attendre au moins 10 minutes jusqu'à ce que l'appareil soit froid.

**Remplacement de la pile électrique de la télécommande**  
La remplacer avec 2 x pile électrique de type AAA. Vérifier que la pile est installée correctement dans la télécommande.



**REMARQUE : la télécommande comporte un témoin de piles (coin supérieur droit) ; après un affichage prolongé de l'état vide, l'écran LED cessera de fonctionner même si la télécommande peut encore envoyer des commandes. Remplacer les piles pour rétablir l'affichage.**

#### Maintenance des moteurs

Les moteurs du ventilateur et de l'effet flamme sont prégraissés pour prolonger la durée de vie des roulements et ne nécessitent aucun graissage supplémentaire. Toutefois, il est recommandé de nettoyer à l'aide d'un aspirateur périodiquement l'unité ventilateur/chauffage.

#### Réenclenchement du disjoncteur thermique

L'appareil est équipé d'un dispositif de sécurité électronique. C'est un dispositif de sécurité qui éteint l'appareil en cas de surchauffe de celui-ci, par ex. lorsqu'il est recouvert.

Si le chauffage s'arrête alors que l'effet flamme continu normalement, cela indique que le dispositif de sécurité est en cours de fonctionnement.  
Le dispositif de sécurité ne peut être réenclenché que lorsque l'appareil est froid.

Réenclenchement du dispositif de sécurité :  
Éteindre l'appareil (interrupteur manuel On/Off) et le laisser refroidir pendant 120 minutes.

Dégager toute obstruction de la sortie du ventilateur de chauffage ou de toutes autres parties internes.

Allumer l'appareil et le dispositif de sécurité se réenclenchera. Vérifier que l'appareil fonctionne correctement. Si le dispositif de contrôle se déclenche de nouveau, l'appareil doit être vérifié par un électricien compétent.



# Service die een stapje verder gaat

Gefeliciteerd met de aankoop van uw Onyx kachel of haard - welkom bij de familie.

Bij aankoop van een Onyx product mag u het allerbeste verwachten op het gebied van Brits design en techniek. Onze kachels en haarden bieden een uitstekende verwarmingscapaciteit voor uw huis en daarnaast karakter en individualiteit.

Onze kachels worden met de grootste zorg ontworpen, getest en geproduceerd en voldoen aan de hoogste kwaliteitsnormen. Wij zijn trots op onze uitstekende aftersales-service die een stapje verder gaat, zodat u nog vele jaren kunt genieten van uw Onyx aankoop.

## BELANGRIJK

**DELEN VAN DE BUITENBEHUIZING VAN DIT APPARAAT WORDEN DOOR DE FABRIKANT BESCHOUWD ALS EEN WERKOPPERVLAK DAT HEET WORDT WANNEER DE VERWARMER IS INGESCHAKELD. HET WORDT DAAROM AANBEVOLEN DAT ER EEN HAARDSCHERM, DAT VOLDOET AAN DE BS 8423 (LAATSTE EDITIE), WORDT GEBRUIKT IN DE AANWEZIGHEID VAN JONGE KINDEREN, OUDEREN OF MINDER VALIDEN.**

**DE GRILL VAN DE VERWARMINGSUITGANG WORDT ERG HEET TIJDENS DE WERKING.**

**DEK DE UITGANGSGRILL OF EEN ONDERDEEL VAN HET APPARAAT NIET AF.**

Voor het gebruik met een 230V 50Hz voeding.

Lees deze instructies vóór de installatie zorgvuldig door en berg het op een veilige plek op.

U zult deze nodig hebben wanneer er onderhoud op de haard uitgevoerd moet worden.

DIT APPARAAT MOET WORDEN GEAARD

**DIT PRODUCT IS UITSLUITEND GESCHIKT VOOR GOED GEÏSOLEERDE PLAATSEN OF VOOR INCIDENTEEL GEBRUIK.**

## BELANGRIJKE INFORMATIE & VEILIGHEIDSVORSCHRIFTEN

**Lees de hele handleiding zorgvuldig door, voordat het apparaat gebruikt wordt. Verwijder al het verpakkingsmateriaal. De verpakking moet op de juiste manier tot afval verwerkt worden.**

Plaats deze haard niet rechtstreeks onder een stopcontact.

Delen van de buitenbehuizing van dit apparaat worden door de fabrikant beschouwd als een werkoppervlak dat heet wordt wanneer de verwarmers is ingeschakeld. U dient een geschikt vuurscherm te gebruiken om kinderen, ouden van dagen en de lichamelijke zwakken.

Gebruik deze haard niet in de onmiddellijke nabijheid van een bad, douche of zwembad, of andere gebieden waar de haard met water in contact kan komen.



### WAARSCHUWING! NIET BEDEKKEN

**WAARSCHUWING** Sta niet toe dat de haard afgedekt wordt of de luchtinlaat/afvoer verstopt kan raken omdat het apparaat dan kan oververhitten. Let op het waarschuwingssymbool op het apparaat (zie hierboven).

**Alleen voor gebruik binnenshuis. Dit apparaat is niet geschikt voor gebruik buitenshuis.**

Dit apparaat moet worden geïnstalleerd in een op maat gemaakt frame. Zorg dat het apparaat waterpas staat en houd meubels, gordijnen, etc. minimaal 1 m uit de buurt van het apparaat.

Wanneer de elektriciteitskabel door een haardstede, stenen omhulsel, enz. geleid moet worden, zorg er dan voor dat er geschikte rubberen bescherming aangebracht wordt op de punten waar slijtage kan optreden.

Indien de haard in een open haardstede geïnstalleerd wordt, sluit de schoorsteen dan af om het risico van tocht achter de haard te verminderen. Dit kan ertoe leiden dat de beveiliging de haard uitschakelt.

Houd het elektriciteits snoer uit de buurt van hete oppervlakten en voorwerpen. Laat hetelektriciteits snoer niet langs de voorkant van het apparaat lopen.

Wanneer de haard geïnstalleerd is moet de stekker toegankelijk zijn.

Indien de elektriciteitskabel beschadigd is, gebruik het apparaat dan niet totdat het vervangen is. Om veiligheidsredenen moet Onyx, een Onyx servicebedrijf of een elektricien met een gelijksoortige ervaring de haard vervangen.

**WAARSCHUWING:** Om een gevaar veroorzaakt door het onachtzaam resetten van de thermische beveiliging te voorkomen, mag dit toestel niet worden gevoed door een extern schakelapparaat, zoals een timer, en niet worden aangesloten op een circuit dat geregeld wordt aan- en uitgeschakeld door de utiliteit.

Het apparaat niet gebruiken als het beschadigd is.

Reparatie van elektrische apparatuur mag alleen door een elektricien uitgevoerd worden. Mocht het apparaat niet functioneren, of in geval van schade, kunt u contact opnemen met de winkel waar het apparaat gekocht is.

Dit toestel kan worden gebruikt door kinderen van 8 jaar en ouder en door personen met verminderd lichamelijke, zintuiglijk of mentaal vermogen of met gebrek aan ervaring en kennis indien onder toezicht of met instructies betreffende het veilig gebruiken van het toestel en met kennis van mogelijke gevaren. Kinderen mogen niet spelen met het toestel. Schoonmaken en gebruiksonderhoud mag niet worden uitgevoerd door kinderen zonder toezicht.

Buiten bereik van kinderen onder de 3 jaar houden tenzij onder constant toezicht.

Kinderen tussen de 3 en 8 jaar mogen alleen het toestel aan-/uitschakelen ervan uitgaande dat deze is geplaatst of geïnstalleerd in zijn bedoelde normale werkpositie en onder toezicht of met instructies betreffende het veilig gebruiken van het toestel en met kennis van mogelijke gevaren. Kinderen tussen de 3 en 8 jaar mogen het toestel niet aansluiten, reguleren en schoonmaken of onderhoud uitvoeren.

**Let op: Sommige onderdelen van dit product kunnen erg heet worden en brandwonden veroorzaken. Er moet bijzondere aandacht worden besteed aan de aanwezigheid van kinderen en kwetsbare mensen.**

**Echter adviseert Onyx:**

**Dit apparaat is niet geschikt voor gebruik door personen jonger dan 12 jaar, personen met beperkte lichamelijke, sensorische of geestelijke vermogens of personen met gebrek aan ervaring en kennis over de veilige bediening van het apparaat.**

Het apparaat kan worden bediend door personen vanaf 12 jaar onder voorwaarde dat zij zijn geïnstrueerd in het veilige gebruik van het apparaat en hebben begrepen wat de mogelijke gevaren zijn. Personen vanaf 12 jaar mogen het apparaat bedienen onder toezicht van een verantwoordelijke volwassene.

Delen van dit apparaat worden heet tijdens de werking en personen jonger dan 12 jaar mogen nooit alleen worden gelaten met het apparaat wanneer dit aan staat tenzij een geschikt brandscherm wordt gebruikt om hen te beschermen tegen mogelijk rechtstreeks contact met het apparaat.

Kinderen mogen niet spelen met het toestel.

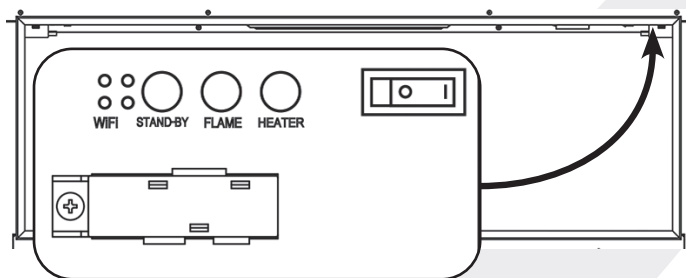
Schoonmaken en gebruiksonderhoud mag niet worden uitgevoerd door kinderen zonder toezicht.

## BEDIENINGSINSTRUCTIES

**WAARSCHUWING!** Het apparaat niet gebruiken als het beschadigd of defect is. Als u vermoedt dat het apparaat beschadigd of defect is neem dan contact op met een bevoegde elektricien om het apparaat te laten inspecteren en, indien nodig, om delen van het elektrische systeem te laten vervangen voordat het opnieuw gebruikt wordt.

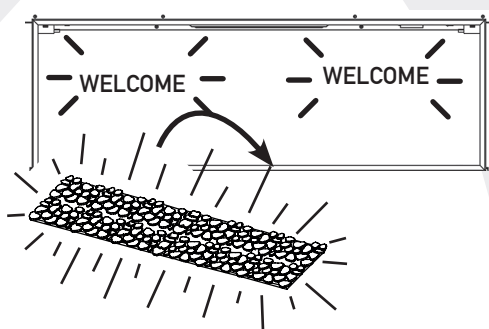
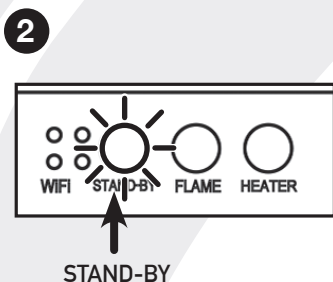
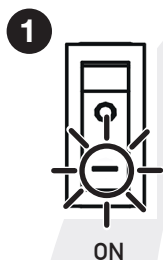
Koppel de stroom bij de netvoeding niet los terwijl het toestel draait. Gebruik de functies op de afstandsbediening om het vuur uit te schakelen en controleer of de hoofdschakelaar op de uit-positie staat vóór het loskoppelen.

### HANDMATIG BEDIENINGSPANEEL



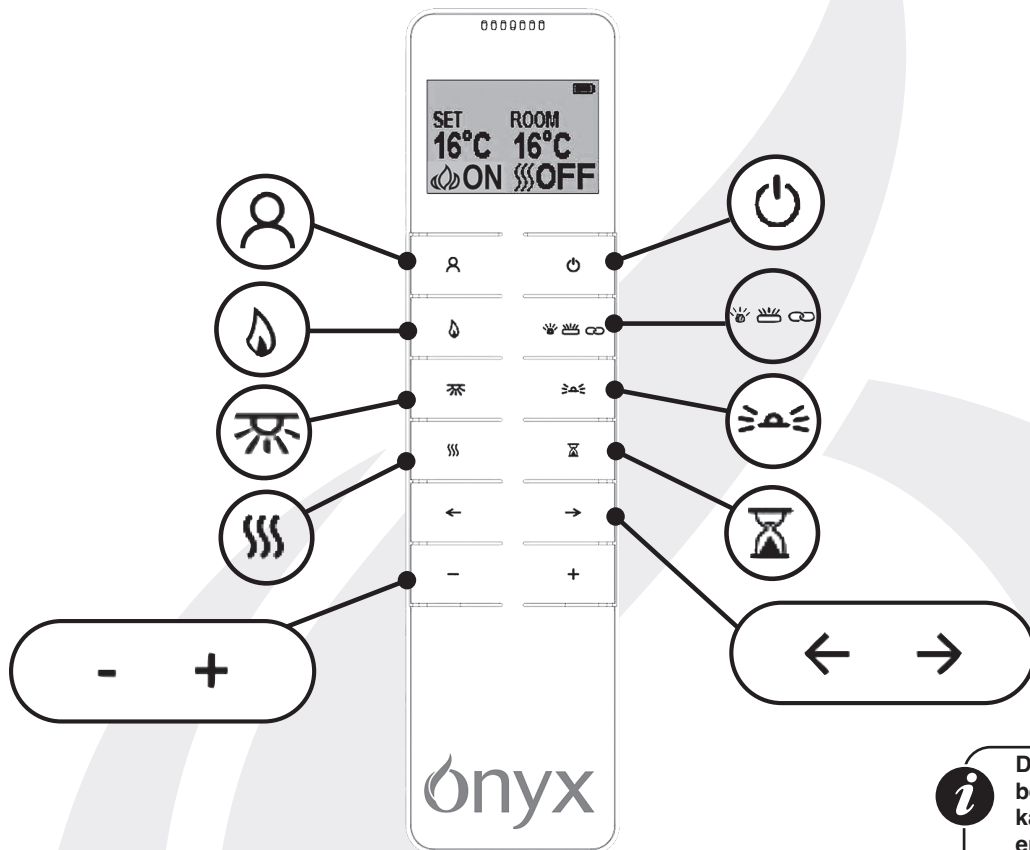
**OPMERKING:** Om zowel afstandsbediening als handmatige functies te gebruiken, moet de handmatige AAN/UIT-schakelaar in de AAN-positie staan. Om te voorkomen dat het product te heet wordt, is er 10s vertraging wanneer de verhitter wordt ingeschakeld en 10s vertraging wanneer de luchtverhitter wordt uitgeschakeld.

De handmatige basisfuncties met knopbediening, niet alle bedieningsmogelijkheden. Gebruik de bedieningstelefoon om alle functies te kunnen uitvoeren.



KNOP	FUNCTIE	ACTIE
<p>UIT AAN</p>	<p><b>AAN:</b> Hiermee wordt de stand-by stand ingeschakeld.</p> <p>In deze stand kunnen alle functies en de afstandsbediening gebruikt worden.</p> <p><b>UIT:</b> Hiermee worden alle functies van de haard en de afstandsbediening uitgeschakeld.</p>	<p>Zet de netschakelaar aan. Er klinkt een lange pieptoon als de schakelaar in de AAN-stand wordt gezet.</p>
<p>AAN/UIT-SCHAKELAAR</p>	<p>Druk hierop om de vlam in te schakelen of de haard uit te zetten.</p> <p><b>CODERING:</b> Houd de knop ingedrukt totdat er 2 korte pieptonen klinken uit het apparaat, laat de knop los. Druk binnen 10 seconden op de  -knop op de afstandsbediening. De codering is voltooid wanneer 1 lange piep vanuit de eenheid klinkt.</p>	
<p>VLAM</p>	<p>Hiermee kunt u schakelen tussen de 9 vlaminstellingen die overeenkomen met de instellingen van MY FLAME op de afstandsbediening en in de app.</p> <p>Druk deze knop in en houd deze 3 seconden lang ingedrukt om de pieptoon van de knoppen en de afstandsbediening uit te schakelen.</p>	<p>Schakelt tussen de 9 vlaminstellingen en de vlam uitgeschakeld.</p>
<p>VERWARMING</p>	<p>Hiermee kunt u tussen de standen LOW-HIGH-LOW.</p>	<p>De verwarming wordt achtereenvolgens op Laag – Hoog – Uit gezet.</p> <p>Het controlelampje licht op als de verwarming aangezet wordt. Het controlelampje gaat binnen 10 s uit.</p>
<p>WIFI WIFI</p>	<p>Druk op om het netwerk te verbinden of te verbreken.</p>	<p>Het indicatielampje gaat branden als de WIFI is ingeschakeld.</p>

## AFSTANDSBEDIENINGEN

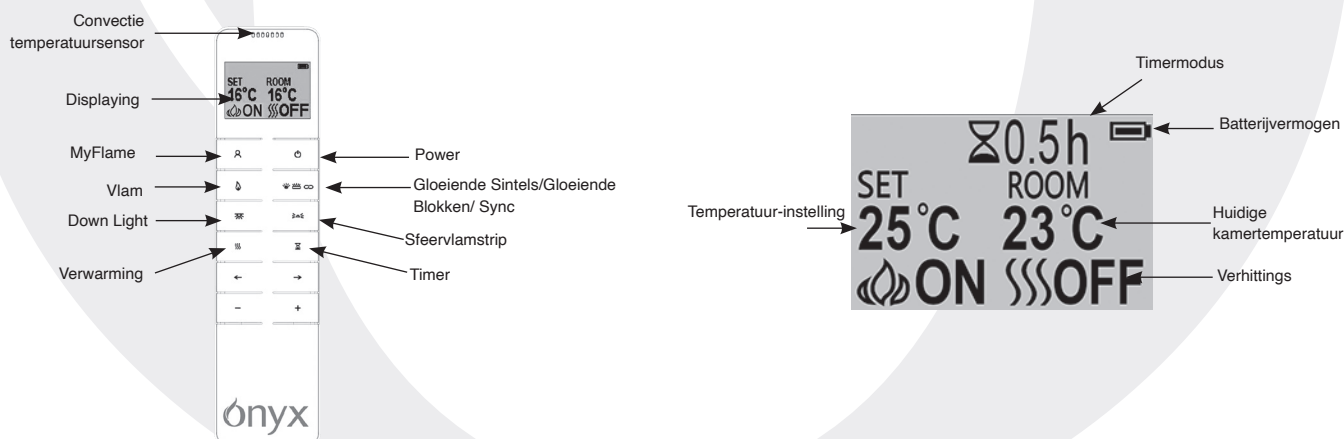


**i** De afstandsbediening moet worden bewaard op een vlak oppervlak in de kamer waar het toestel is geïnstalleerd en weg van enige directe hete luchtstroom.


KNOP	FUNCTIE	ACTIE
	<b>POWER</b>	Met de <b>POWER</b> -knop wordt de haard ingeschakeld en stand-by gezet. Alle functies kunnen dan direct in- of uitgeschakeld worden, maar de instellingen blijven in het geheugen staan.
	<b>MY FLAME</b>	Druk op de knop <b>MY FLAME</b> en dan op '+' en '-' of « ← » en « → » en de unit gaat tussen de 9 vlaminstellingen schakelen. Vlam 1-6 zijn de standaard instellingen, 7-9 kunnen als aangepaste instellingen opgeslagen worden.
	<b>VLAM</b>	Druk op de knop <b>VLAM</b> om naar het venster voor het instellen van het vlameffect te gaan. Druk op « ← » en « → » om een 16 vlameffecten te bladeren en dan UIT. Druk op '+' en '-' om de helderheid in te stellen tussen 20 en 100%, in totaal 5 instellingen.


KNOP	FUNCTIE	ACTIE
	<b>BRANDERBED/ GLOEIENDE BLOKKEN/SYNC</b>	Druk op de knop om naar de instellingen van de <b>BRANDERBED</b> te gaan. Druk op « ← » en « → » om een kleur te kiezen: rood - oranje - geel - groen – blauwgroen- blauw – paars – wit – cyclus van 13 kleuren - UIT. Druk op '+' en '-' om de helderheid in te stellen tussen 20 en 100%, in totaal 5 instellingen.  Druk nogmaals op deze knop om naar het scherm voor de instellingen van de <b>GLOEIENDE BLOKKEN</b> te gaan. Druk op « ← » en « → » om een kleur te kiezen: rood - oranje - geel - groen – blauwgroen- blauw – paars – wit – cyclus van 13 kleuren - UIT. Druk op '+' en '-' om de helderheid in te stellen tussen 20 en 100%, in totaal 5 instellingen.  Druk voor de vierde keer op de knop om naar <b>SYNC</b> te gaan. De kleuren van de het branderbed, de blokken kunnen gesynchroniseerd worden. Druk op « ← » en « → » om een kleur te kiezen: rood - oranje - geel - groen – blauwgroen- blauw – paars – wit – cyclus van 13 kleuren - UIT Druk op '+' en '-' om de helderheid in te stellen tussen 20 en 100%, in totaal 5 instellingen.
	<b>DOWN LIGHT</b>	Druk nogmaals op deze knop om naar het scherm voor de instellingen van het <b>DOWN LIGHT</b> te gaan. Druk op « ← » en « → » om een kleur te kiezen: geel - wit – UIT Druk op '+' en '-' om de helderheid in te stellen tussen 20 en 100%, in totaal 5 instellingen.
	<b>SFEERVERLICHTING</b>	Druk op de knop om naar de instellingen van de <b>SFEERVERLICHTING</b> te gaan en een kleur te kiezen: koudwit - wit - warmwit - lichtoranje - oranje - geel - goudgeel - rood - groen - blauwgroen - blauw - lichtpaars - paars - cyclus van 13 kleuren en UIT. Druk op '+' en '-' om de helderheid in te stellen tussen 20 en 100%, in totaal 5 instellingen.
	<b>VERWARMING</b>	Druk op de knop <b>VERWARMING</b> en de volgende instellingen kunnen gekozen worden: AUT - LOW - HIGH - OFF. Bij AUTO/AUT werkt de kachel op basis van de wekelijkse timer uit de app.
	<b>TIMER</b>	Druk op de knop <b>TIMER</b> om de gewenste inschakelduur van de haard in te stellen. De timer kan ingesteld worden op 0,5 uur, 1 uur en vervolgens met stappen van 1 uur tot max. 10 uur.
	-	Druk op « ← » en « → » om uit verschillende instellingen te kiezen zoals de kleurinstellingen van de bijbehorende functie.
	-	Druk op '+' en '-' om de instellingen (bijv. de lichtinstellingen) te verhogen of te verlagen.


## APPARAAT BEDIENEN - GEAVANCEERDE WERKING



## DRUK OP AAN/UIT

Druk op de  knop om het vlameffect in te schakelen.

Druk op de  knop om alle functies uit te schakelen onder de handleiding verwarmingsbestuurmodus, inclusief vlameffect en luchtverhitter.

Druk op de  knop om het vlameffect onder de AUTO timingverhittermodus uit te schakelen.

## WEEK DAGEN / TIJD / COMFORTTEMPERATUUR EN EENHEIDSINSTELLING

Deze instellingen kunnen ingesteld en geregeld worden via de MyFlame app.

## DE INGESTELDE TEMPERATUUR AANPASSEN

Druk op de '+'- of '-'-knop om de temperatuur.

## AANPASBARE STARTBESTURING

Overeenkomstig met de kamertemperatuur en de gewenste temperatuur, bepaalt de verhitter automatisch de geschikte opwarmtijd om te garanderen dat het de gewenste temperatuur bereikt binnen de ingestelde tijd.

## KLEUR VAN DE HOOFDVLAM INSTELLEN

Druk op de .

Er zijn 16 vlamkleuren, waaronder UIT.

Er zijn 5 helderheidsniveaus.







Druk op de '←' of de '→'-knop om door de vlamkleuropties te gaan.

Druk op de '+'-knop om de vlamhelderheid te verhogen.

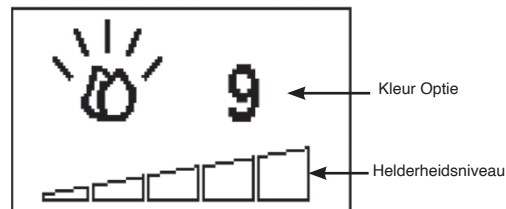
Druk op de '-'-knop om de vlamhelderheid te verlagen.

## BRANDERBED INSTELLEN

Druk op de    -knop tot  verschijnt.

Er zijn 10 vlamkleuren, waaronder UIT.

Er zijn 5 helderheidsniveaus.



Druk op de '←' of de '→'-knop om door de vlamkleuropties te gaan.

Druk op de '+'-knop om de vlamhelderheid te verhogen.

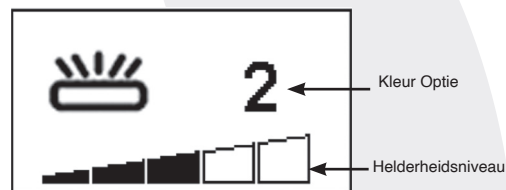
Druk op de '-'-knop om de vlamhelderheid te verlagen.

## GLOEIENDE BLOKKEN INSTELLEN

Druk op de    -knop tot  verschijnt.

Er zijn 10 vlamkleuren, waaronder UIT.

Er zijn 5 helderheidsniveaus.



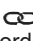



Druk op de '←' of de '→'-knop om door de vlamkleuropties te gaan.

Druk op de '+'-knop om de vlamhelderheid te verhogen.

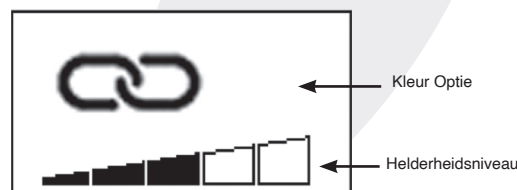
Druk op de '-'-knop om de vlamhelderheid te verlagen.

## KLEUREN SYNCHRONISEREN

Druk op de    -knop tot  verschijnt. Met deze functie worden alle kleuren gesynchroniseerd.

Er zijn 10 vlamkleuren, waaronder UIT.

Er zijn 5 helderheidsniveaus.



Druk op de '←' of de '→'-knop om door de vlamkleuropties te gaan.

Druk op de '+'-knop om de vlamhelderheid te verhogen.

Druk op de '-'-knop om de vlamhelderheid te verlagen tot deze uit is.



## DOWN LIGHT INSTELLEN

Druk op de .

Er zijn 3 vlamkleuren, waaronder UIT.

Er zijn 5 helderheidsniveaus.



Druk op de '←' of de '→'-knop om door de vlamkleuropties te gaan.

Druk op de '+'-knop om de vlamhelderheid te verhogen.

Druk op de '-'-knop om de vlamhelderheid te verlagen tot deze uit is.

## SFEERVERLICHTING INSTELLEN

Druk op de -knop.

Er zijn 14 vlamkleuren, waaronder UIT.

Er zijn 5 helderheidsniveaus.




Druk op de '←' of de '→'-knop om door de vlamkleuropties te gaan.

Druk op de '+'-knop om de vlamhelderheid te verhogen.

Druk op de '-'-knop om de vlamhelderheid te verlagen tot deze uit is.

## MY FLAME VOORINSTELLINGEN VAN DE VLAMKLEUREN

Druk op de -knop en het voorinstellingsnummer verschijnt.



Er zijn 9 voorinstellingen:

Druk op '+' of '-' of op '←' of de '→' om het voorinstellingsnummer te wijzigen.

1-9 zijn realistische vlamcombinaties.

7-9 worden gebruikt om aangepaste vlamcombinaties te maken.



Een aangepast vlameffect maken:

Wijzig de kleur en dichtheid van de hoofdvlam, de vlamkleuren, de sintels, de blokken, down light en de snelheid (geen led-strip van de sfeerverlichting).


Druk minimaal 3 seconden op de My Flame knop om de instellingen te bevestigen. Op de afstandsbediening heeft u de keuze om de instelling op te slaan onder 7, 8 of 9.

Selecteer een getal ('+' of '-' of op '←' of de '→') en druk nogmaals op de knop My Flame.

Het apparaat slaat de persoonlijke instelling op.

## AFTELLINGSTIMER

Deze instelling bestaat alleen in de normale bedieningsmodus bij verhitting. Dit maakt het mogelijk om het toestel in standby te zetten na een ingestelde tijdsperiode. De verhitter moet ingeschakeld zijn om deze functie te kunnen gebruiken.

Druk op  om door de instelling te gaan van UIT en 0.5 uur tot 10 uur. Timerlogo en resterende tijd worden op het scherm getoond.

## HET APPARAAT GEBRUIKEN - FOUTOPSPORING

### BATTERIJ

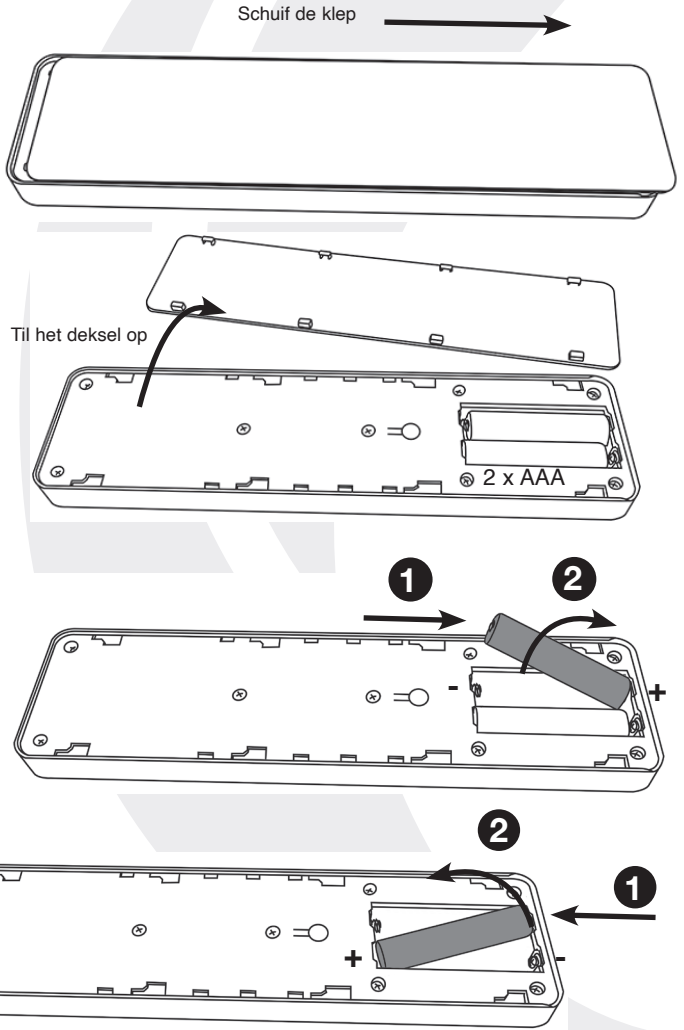
Het batterijniveau wordt aangegeven rechtsbovenin op het afstandbedieningsscherm.

	Volle batterij	Geen handeling vereist
	Halfvolle batterij	Controleer of nieuwe batterijen aanwezig zijn.
	Lege batterij	Vervang batterijen onmiddellijk

**i** **OPMERKING:** De afstandsbediening heeft een batterijstatusindicator (rechtsboven in de hoek), na een lange periode van lege weergave zal het LED-scherm niet meer werken, ondanks dat de handset nog steeds opdrachten kan verzenden. Vervang de batterijen om het display te herstellen.

### BATTERIJ VERVANGING

Lege batterijen moeten uit het apparaat worden gehaald en veilig worden afgevoerd.



Zorg ervoor dat de batterijen nieuw zijn en op de juiste manier geplaatst zijn.

Wanneer u de batterijen vervangt, dient u ervoor te zorgen dat de gebruikte batterijen op de juiste manier tot afval worden verwerkt.

Vervanging van batterij na 1 jaar wordt aangeraden. De afstandsbediening heeft twee 1.5V alkaline AAA-batterijen nodig.

Let op de juiste polariteit. Veroorzaak geen kortsluiting in de aansluitingen.

Probeer niet om niet-oplaadbare batterijen op te laden.

Verwijder oplaadbare batterijen voordat u ze oplaadt.

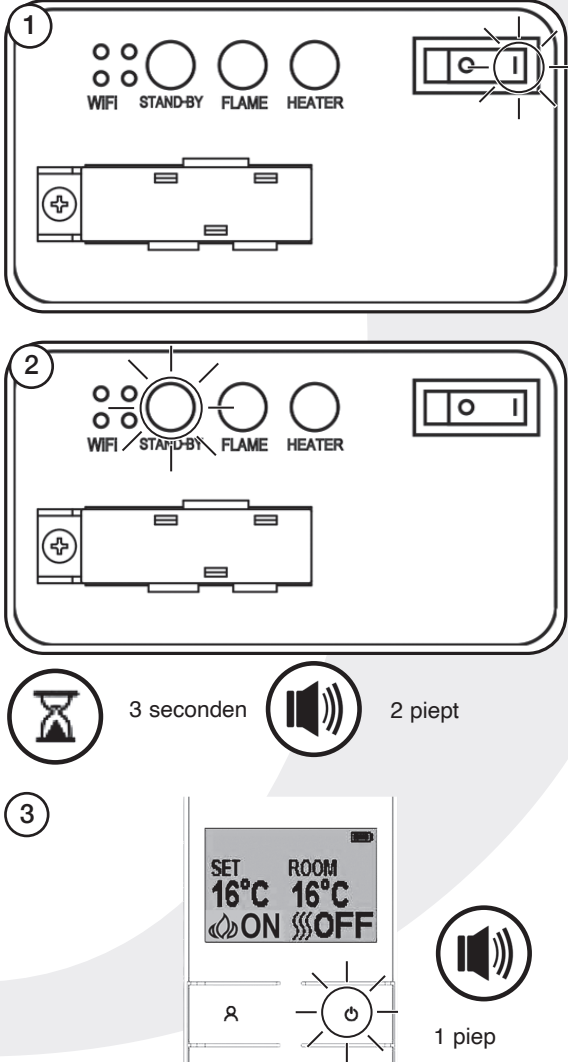
Gebruik geen oude en nieuwe batterijen door elkaar.

Verwijder de batterijen als het apparaat langere tijd niet wordt gebruikt.

**i** **OPMERKING:** Om zowel afstandsbediening als handmatige functies te gebruiken, moet de handmatige AAN/UIT-schakelaar in de AAN-positie staan. Om te voorkomen dat het product te heet wordt, is er 10s vertraging wanneer de verhitter wordt ingeschakeld en 10s vertraging wanneer de luchtverhitter wordt uitgeschakeld.

De handmatige basisfuncties met knopbediening, niet alle bedieningsmogelijkheden. Gebruik de bedieningstelefoon om alle functies te kunnen uitvoeren.

### KNOP VOOR AFSTANDSBEDIENING RESETTEN



## SIGNAALCODE

De afstandsbediening werkt op radiosignaal.  
De handzender is in de fabriek ingesteld met een unieke signaalcode.

**BELANGRIJK:** Als de telefoon signaal verliest of moet worden vervangen, zie Onderhoud instructies voor meer informatie.

## ONDERHOUD

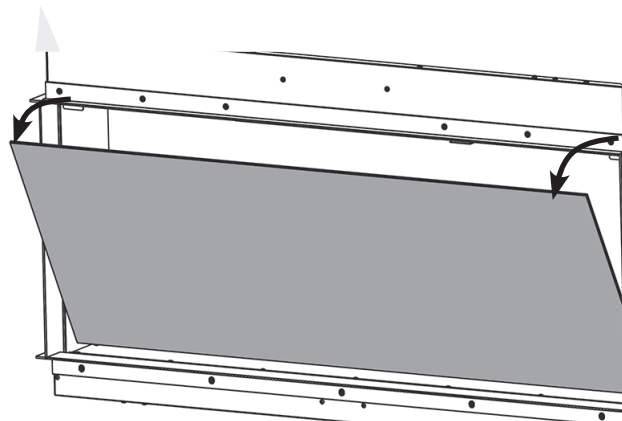
**DE STEKKER ALTIJD UIT HET STOPCONTACT HALEN VOORDAT ER REINIGINGS WERZAAMHEDEN OF ONDERHOUDSWERKZAAMHEDEN UITGEVOERD WORDEN.**

### REINIGING VOORZIJDEN

Maak het kijkvensterpaneel schoon met een vochtige doek en veeg af met een pluisvrije stofdoek.

**Waarschuwing:** Geen schurende reinigingsmiddelen op het glaspaneel gebruiken. Spuit geen vloeistoffen rechtstreeks op het oppervlak van de unit spuiten.

### HET SCHOONMAKEN VAN DE BRANDSTOF EFFECT



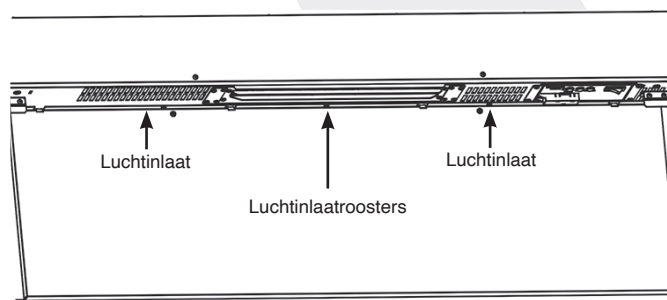
Verwijder en was het brandstofeffect om stofdeeltjes te verwijderen. Kan ook met een lintvrije duster worden gereinigd. **Zorg ervoor dat het effect droog is, voordat deze wordt teruggeplaatst.**

**Vervang het brandstofeffect, zie Installatieinstructies.**

Herplaats alles weer in omgekeerde volgorde.

### LUCHTINLATEN REINIGEN

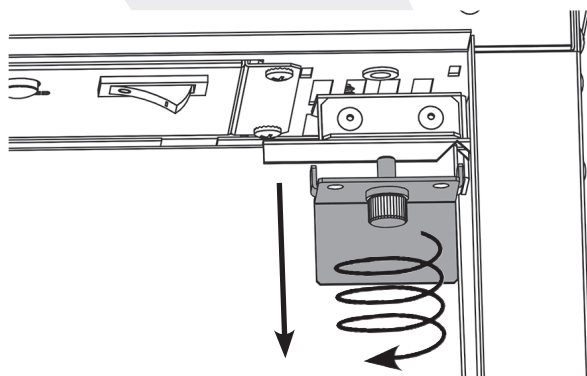
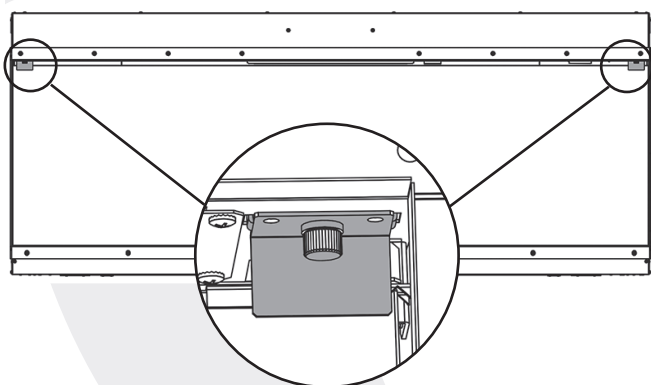
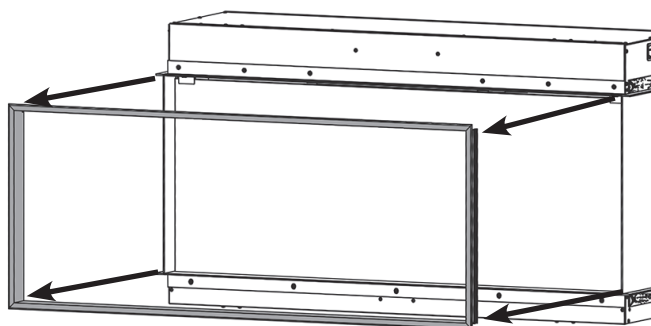
Maak de luchtinlaat en de luchtinlaatroosters regelmatig met een zachte doek of het mondstuk van een stofzuiger schoon.



**Opgehoopt stof zal het vrijelijk bewegen van de ventilator beperken en kan ertoe leiden dat het beveiligingsmechanisme in werking treedt.**

Houd het gebied rond de haard schoon en vrij van pluisjes, stof of haren van huisdieren.

Stof enz. kan zich vooral verzamelen rond het verwarmingsgebied bovenaan het apparaat. Zorg er regelmatig voor dat dit gebied geen van deze stofdeeltjes bevat, zodat een opeenhoping voorkomen wordt.



## INSTALLATION

### ALGEMEEN

#### BENODIGD GEREEDSCHAP

Er zullen een schroevendraaier, een waterpas en boor nodig zijn.

#### DE OPEN HAARD UITPAKKEN

**WAARSCHUWING! Dit apparaat NIET gebruiken als er onderdelen aan water blootgesteld zijn geweest.**

Bel onmiddellijk een erkende installateur om een inspectie te laten uitvoeren en vervang, indien nodig, onderdelen van het elektrische systeem.

De verpakking zorgvuldig openen en verwijder het polystyreen. Verwijder de plastic zak en gooi deze weg. Houd plastic verpakkingsmateriaal uit de buurt van kinderen. Wees verantwoordelijk bij het hanteren van het verpakkingsmateriaal.

Controleer of alle onderdelen en accessoires verwijderd zijn voordat de verpakking weggegooid wordt. Bewaar de originele verpakking, indien nodig, voor toekomstig transport en/of opslag.

Test het toestel vóór installatie.

### HET APPARAAT PLAATSEN

#### DE FUSION ELECTRIC PLAATSEN

Uw nieuwe Fusion Electric kan bijna overal in uw huis worden geïnstalleerd. Zorg er echter bij het kiezen van een locatie voor dat de standaard instructies worden opgevolgd.

**De verhitter dient idealiter te worden aangebracht op een inwendige vlakke muur die is gemaakt van studwerk of gipsplaatblok/-steen. De geleverde bevestigingen mogen ENKEL worden gebruikt op bakstenen muren. Let op dat er geschikte bevestigingen worden gebruikt bij het aanbrengen in holle wanden of wanden met speciaal ingebouwde openingen.**  
**OPMERKING:** Dit apparaat is niet geschikt om te worden aangebracht op een Spouwmuur, terwijl het leunt op een buitenmuur, op een open schoorsteen of op om het even welke opening die mogelijk staat blootgesteld aan vochtigheid en tocht, tenzij er passende voorzorgsmaatregelen worden genomen om te voorkomen dat het apparaat contact maakt met vocht of een teveel aan tocht. In dergelijke installaties moeten een bestaande schoorsteen en/of speciaal aangelegde luchtafvoerkanalen volledig worden afgedicht.

Voor het beste resultaat niet in direct zonlicht installeren.

**Het toestel moet worden geïnstalleerd in een hiervoor gemaakte gestuukte behuizing. Zorg ervoor dat er geschikte bevestigingen worden gebruikt bij de installatie in holle wanden of wanden met openingen.**

**Zorg ervoor dat er geen leidingen of kabels achter het gebied te boren of te snijden.**

Controleer altijd of het toestel op juiste wijze wordt ondersteund en op een stevige structuur huist wanneer deze boven vloerniveau wordt gemonteerd.

Het apparaat moet dicht bij een geschikt stopcontact geplaatst worden om de aansluiting mogelijk te maken. Een verlenging kan worden uitgevoerd vanaf een bestaand stopcontact, maar dit moet door een gekwalificeerde elektrotechnicus worden uitgevoerd. Het stopcontact moet gemakkelijk toegankelijk zijn om de stekker eruit te kunnen trekken wanneer het apparaat geïnstalleerd is.

Als de voedingskabel beschadigd is, moet deze door de fabrikant, een geautoriseerd service centrum of een vakman gerepareerd worden.

Zorg ervoor dat gordijnen en meubels niet zijn geplaatst in de buurt van de gekozen positie, aangezien dit een potentieel brandgevaar zou maken of blokkeren van de verwarming uitlaat leidingen.

**WAARSCHUWING! HOUD ALLE BRANDBARE MATERIELEN MINIMAAL 1 METER UIT DE BUURT VAN DE VOOR- EN ZIJKANTEN VAN DE ELEKTRISCHE HAARD.**

## ONDERHOUD



**TIJDENS ONDERHOUD VAN DIT APPARAAT KAN HET NODIG ZIJN OM DE KABELBINDERS LOS TE SNIJDEN OM TOEGANG TE VERKRIJGEN TOT DELEN OF OM DEZE TE VERWIJDEREN. DEZE MOETEN WORDEN TERUGGEPLAATST BIJ HET OPNIEUW AANBRENGEN VAN HET APPARAAT.**

**DIT APPARAAT MAG UITSLUITEND ONDERHOUDEN WORDEN DOOR EEN VOLDOENDE GEKWALIFICEERDE PERSOON. ALVORENS IETS TE DOEN AAN HET TOESTEL: SCHAKEL HET TOESTEL UIT EN ISOLEER DE STROOMTOEVOER. CONTROLEER DAT HET TOESTEL NIET ONDER STROOM STAAT.**

Wacht minstens 10 minuten totdat het apparaat is afgekoeld.

### **Batterijen Afstandsbediening Vervangen**

Met een AAA-batterij vervangen. Zorg ervoor dat de batterij op de juiste wijze in de afstandsbediening is geplaatst.



**OPMERKING: De afstandsbediening heeft een batterijstatusindicator (rechtsboven in de hoek), na een lange periode van lege weergave zal het LED-scherm niet meer werken, ondanks dat de handset nog steeds opdrachten kan verzenden. Vervang de batterijen om het display te herstellen.**

### **Onderhoud van Motoren**

De motoren die voor de ventilator en het vlameffect gebruikt worden zijn vooraf gesmeerd voor een langere levensduur van de lagers en hebben geen verdere smering nodig. Het wordt echter aanbevolen de ventilator/verwarmingsunit regelmatig te reinigen/stof weg te zuigen.

### **De thermische beveiligingsschakelaar resetten**

Het toestel is uitgerust met een Electronic Safety Control (E.S.). Dit is een veiligheidsvoorziening die de haard uitschakelt als het apparaat, om welke reden dan ook, oververhit raakt, bijvoorbeeld wanneer hij afgedekt is.

Als de haard niet meer functioneert, maar het vlameffect blijft gewoon doorgaan, geeft dit aan dat de ES Control functioneert. De E.S. Control kan alleen opnieuw worden ingesteld nadat het apparaat is afgekoeld.

Opnieuw instellen van de ES:

Schakel het apparaat uit (Handmatige aan/uit-schakelaar) en laat het gedurende 120 minuten afkoelen.

Verwijder eventuele verstoppingen uit de uitlaat van de ventilatorkachel of andere interne onderdelen.

Zet het apparaat opnieuw aan en de E.S. Control zal opnieuw ingesteld worden. Zorg ervoor dat het apparaat op de juiste wijze functioneert. Als de E.S. Control opnieuw functioneert, moet het apparaat door een vakbekwame elektricien worden gecontroleerd.

# Un'assistenza che va oltre

Congratulazioni per essere diventato/a un(a) nuovo/a proprietario/a di un caminetto o di una stufa Onyx: benvenuto/a in famiglia! Da un prodotto Onyx puoi aspettarti il massimo della progettazione e del design britannici in materia di caminetti e stufe, che garantiscono alla tua casa un riscaldamento straordinario, insieme a carattere e personalità.

Lavoriamo con grande cura per garantire che le nostre stufe siano progettate, testate e prodotte nel rispetto dei massimi standard qualitativi possibili, e siamo orgogliosi di offrire la stessa esemplare assistenza post-vendita, garantendo anni di soddisfazione per l'acquisto di un prodotto Onyx.



## IMPORTANTE

**ALCUNE PARTI DELL'INVOLUCRO ESTERNO DELL'APPARECCHIO SONO CONSIDERATE DAL PRODUTTORE SUPERFICI DI LAVORO CHE SI SCALDANO ALL'ACCENSIONE DEL RISCALDATORE. SI RACCOMANDA QUINDI DI USARE UN PARAFUOCO CONFORME ALLA NORMA BS 8423 (Ultima edizione) IN PRESENZA DI BAMBINI, ANZIANI O INVALIDI. LA GRIGLIA DI USCITA DEL RISCALDATORE DIVENTA BOLLENTE DURANTE L'USO. NON COPRIRE LA GRIGLIA DI USCITA NÉ ALCUNA PARTE DELL'APPARECCHIO.**

Da usare solo con alimentazione elettrica da 230 V, 50Hz.

Leggere attentamente queste istruzioni prima dell'installazione e conservarle in un luogo sicuro.

poiché saranno necessarie al momento di eseguire riparazioni o manutenzione.

**QUESTO APPARECCHIO DEVE ESSERE PROVISTO DI MESSA A TERRA**

**IL PRESENTE PRODOTTO È ADATTO SOLO A AMBIENTI CORRETTAMENTE ISOLATI O AD UN USO OCCASIONALE.**

## INFORMAZIONI IMPORTANTI E SALUTE E SICUREZZA

**Leggere attentamente tutte le istruzioni prima di utilizzare l'apparecchio.**

**Rimuovere tutti gli imballaggi e smaltirli presso un'appropriata struttura di riciclaggio.**

Non posizionare l'apparecchio subito sotto una presa di corrente fissa.

Alcune parti dell'involucro esterno dell'apparecchio sono considerate dal produttore superfici di lavoro che si scaldano all'accensione del riscaldatore. Utilizzare un parafuoco adeguato per proteggere bambini, anziani e malati.

Non utilizzare questo apparecchio nelle immediate vicinanze di una vasca da bagno, di una doccia, di una piscina o in altre aree in cui potrebbe venire a contatto con acqua o umidità, ad esempio la stanza da bagno.



### ATTENZIONE! NON COPRIRE

Non coprire l'apparecchio né ostruire la presa o l'uscita dell'aria, per evitare il surriscaldamento dell'apparecchio. Osservare il simbolo di avviso sull'apparecchio (vedere sopra).

**Solo per uso interno.** Questo apparecchio non è adatto all'uso in aree esterne alla casa.

Questo apparecchio deve essere installato in un'apposita intelaiatura con perni. Assicurati che l'apparecchio sia in piano e che le tende, i mobili, etc. siano posizionati ad almeno 1m di distanza.

Se il cavo dell'alimentazione elettrica deve passare attraverso un camino, un rivestimento in pietra e così via, assicurarsi che vengano installate delle protezioni di gomma nei possibili punti di usura.

Se installato in un camino aperto, chiudere la canna fumaria per ridurre il rischio di fiamma di ritorno che può causare la disattivazione del sistema di sicurezza.

Tenere il cavo di alimentazione lontano da superfici calde e condizioni di calore. Non posizionare il cavo di fronte all'apparecchio.

Una volta installato il caminetto, deve essere possibile accedere alla spina.

Se il cavo di alimentazione è danneggiato, non utilizzare l'apparecchio finché non viene sostituito. Per motivi di sicurezza, la sostituzione deve essere effettuata da un responsabile dell'assistenza Onyx o da un elettricista con una qualifica simile.

**ATTENZIONE:** Per evitare un pericolo dovuto al ripristino involontario dell'interruttore termico, questo apparecchio non deve essere alimentato tramite un dispositivo di commutazione esterno, ad esempio un timer, o collegato a un circuito di comando accensione e spegnimento.

Non utilizzare l'apparecchio se danneggiato.

La riparazione delle apparecchiature elettroniche deve essere eseguita solo da un elettricista. In caso di mancato funzionamento dell'apparecchio o in caso di danni, contattare il rivenditore presso il quale è stato acquistato.

Questo apparecchio può essere utilizzato da bambini di età superiore a 8 anni e persone con ridotte capacità fisiche, sensoriali o mentali o mancanza di esperienza e conoscenza, solo se supervisionati o istruiti sull'uso dell'apparecchio in modo sicuro e se comprendono i rischi che corrono. I bambini non devono giocare con l'apparecchio.

La pulizia e la manutenzione dell'utente non devono essere eseguite da bambini senza supervisione.

I bambini di età inferiore ai 3 anni devono essere tenuti lontano a meno che non siano costantemente supervisionati.

I bambini di età compresa tra 3 anni e meno di 8 anni possono accendere/spegnere l'apparecchio solo se questo è stato collocato o installato nella normale posizione operativa prevista e se sono sorvegliati o istruiti sull'uso dell'apparecchio in modo sicuro e se comprendono i rischi che corrono. I bambini di età compresa tra 3 anni e meno di 8 anni non possono collegare, regolare, pulire l'apparecchio né eseguire interventi di manutenzione.

**Attenzione: alcune parti di questo prodotto possono diventare molto calde e causare ustioni. Particolare attenzione deve essere prestata dove sono presenti bambini e persone vulnerabili.**

**Tuttavia Onyx consiglia:**

**Questo elettrodomestico non è progettato per essere utilizzato da minori di 12 anni, da persone con capacità fisiche, sensoriali o mentali ridotte o da persone che non hanno l'esperienza o le conoscenze necessarie per mettere in funzione l'elettrodomestico in maniera sicura.**

Questo elettrodomestico può essere utilizzato da maggiori di 12 anni purché siano stati istruiti in merito all'utilizzo sicuro dell'elettrodomestico e comprendano i possibili rischi. I minori di 12 anni possono utilizzare questo elettrodomestico purché siano supervisionati da un adulto responsabile.

Alcune componenti di questo elettrodomestico diventano calde in seguito all'utilizzo e in nessun caso i minori di 12 anni devono essere lasciati da soli con il prodotto quando questo è in funzione, a meno che non venga utilizzato un parafuoco idoneo allo scopo di proteggerli dalla possibilità di entrare a diretto contatto con l'elettrodomestico.

I bambini non devono giocare con l'apparecchio.

La pulizia e la manutenzione dell'utente non devono essere eseguite da bambini senza supervisione.

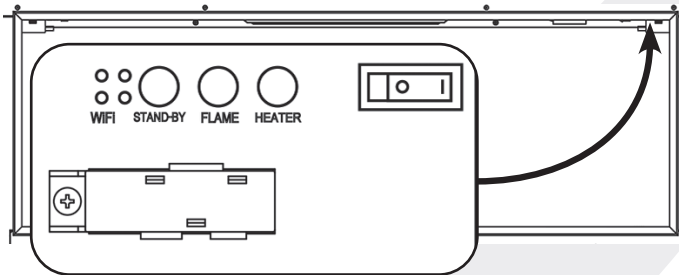
## ISTRUZIONI DI FUNZIONAMENTO



**ATTENZIONE!** Non utilizzare l'apparecchio se danneggiato o se non funziona correttamente. Se si sospetta che l'apparecchio sia danneggiato o che non abbia funzionato correttamente, contattare un tecnico dell'assistenza qualificato per far eseguire un'ispezione e sostituire le parti dell'impianto elettrico se necessario, prima di riutilizzarlo.

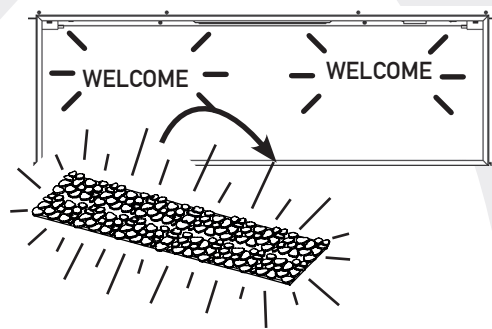
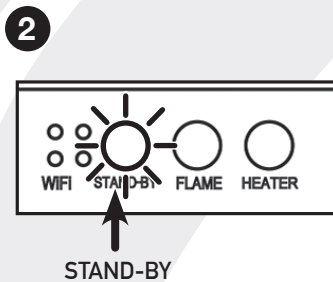
Non scollegare l'alimentazione alla rete elettrica mentre l'apparecchio è in funzione. Utilizzare le funzioni del telecomando per spegnere il fuoco e assicurarsi che l'interruttore di isolamento sia stato spostato in posizione di spegnimento prima di scollegarlo.

### PANNELLO COMANDO MANUALE



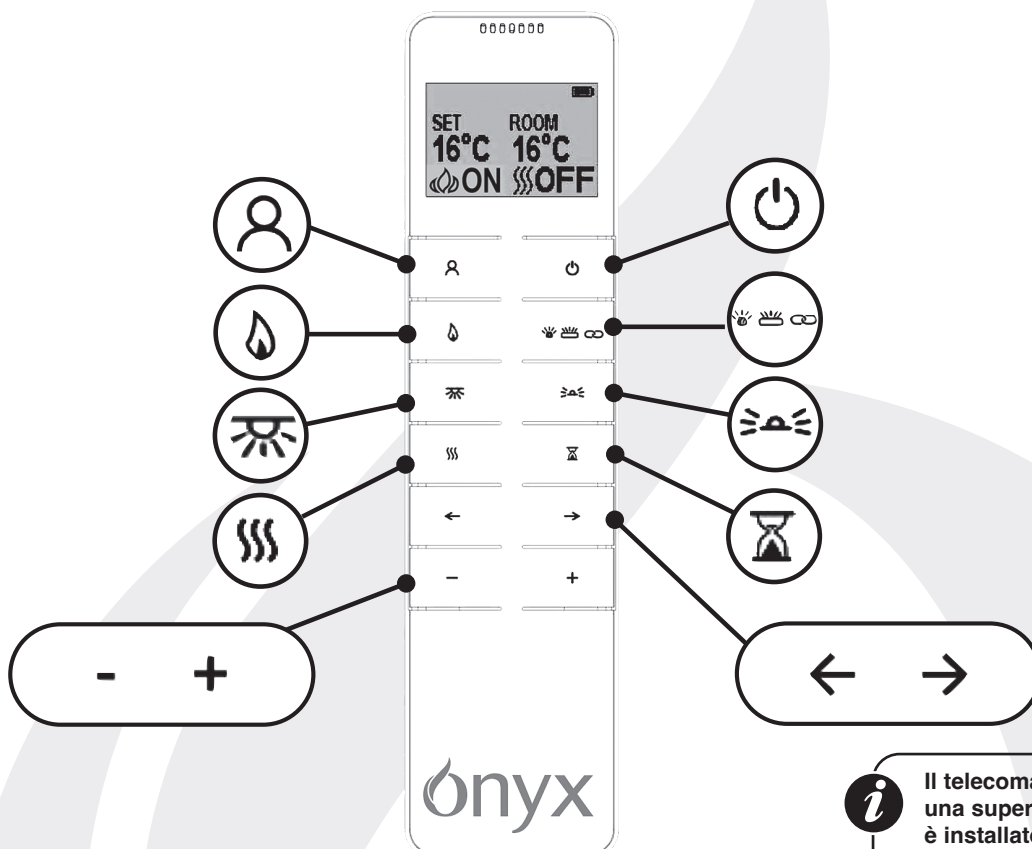
**NOTA:** Per utilizzare entrambe le funzioni remota e manuale, l'interruttore di accensione/spegnimento manuale deve essere in posizione "ON". Per evitare che il prodotto diventi troppo caldo, si verifica un ritardo di 10 secondi all'accensione del riscaldatore e un ritardo di 10 secondi quando si spegne la ventola del riscaldatore.

Il pulsante manuale controlla le funzioni di base, non una gamma completa di controlli. Utilizzare il telecomando per eseguire tutte le funzioni.








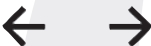
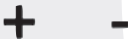
PULSANTE	FUNZIONE	AZIONE
<p>OFF ON</p>	<p><b>ON:</b> Attiva la modalità standby. Abilita tutte le funzioni e il comando a distanza.</p> <p><b>OFF:</b> Arresta tutte le funzioni del caminetto e disabilita il comando a distanza</p>	Attiva l'interruttore di alimentazione principale. Quando l'interruttore sarà girato in posizione ON si udirà un lungo "bip".
<p>ACCENSIONE/ SPEGNIMENTO</p>	<p>Premi per accendere o spegnere la fiamma.</p> <p><b>CODIFICA:</b> Premere il pulsante di per finché non vengono emessi 2 brevi segnali acustici dall'unità. Nel giro di 10 secondi, premere il pulsante  sul telecomando. La codifica termina quando viene emesso 1 lungo bip dall'unità.</p>	
<p>FIAMMA</p>	<p>Cicla attraverso 9 livelli di impostazioni della fiamma, e ciò corrisponde alle impostazioni di MY FLAME sul telecomando e sull'APP.</p> <p>Tieni premuto per 3 secondi per arrestare il "bip" per pulsanti e telecomando.</p>	Segue un ciclo di 9 livelli di impostazioni della fiamma e spegnimento fiamma.
<p>RISCALDATORE</p>	<p>Premi per ciclare da LOW - HIGH - OFF.</p>	Il riscaldatore passerà da Low (Basso) a High (Alto) a Heater Off (Riscaldatore spento). Quando il riscaldatore sarà acceso, l'indicatore si illuminerà. L'indicatore si spegnerà entro 10 secondi.
<p>WIFI WIFI</p>	<p>Premere per connettere o disconnettere la rete.</p>	L'indicatore luminoso si illumina quando il WIFI è attivato.

## COMANDI A DISTANZA

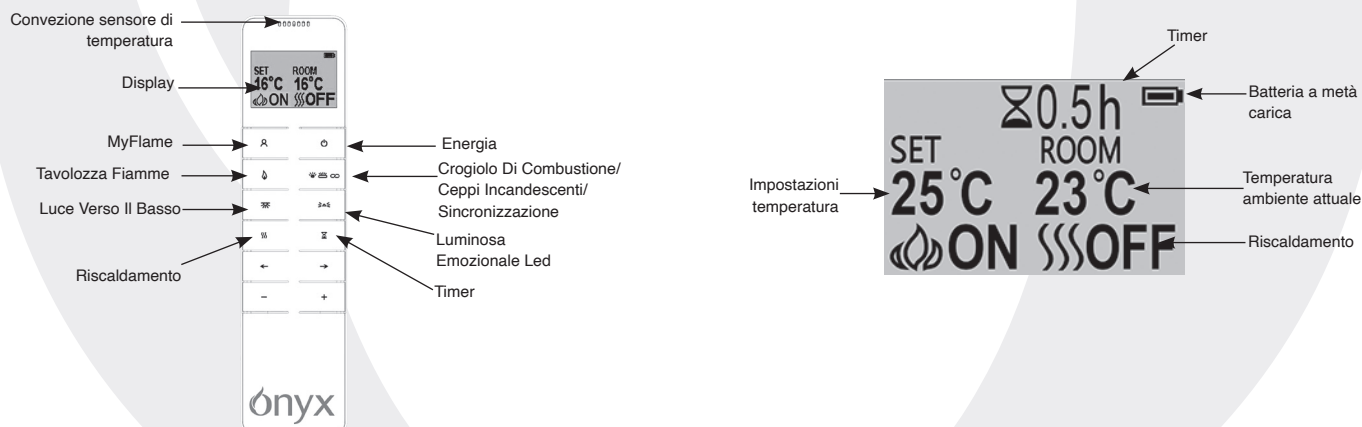


Il telecomando deve essere lasciato su una superficie piana nella stanza in cui è installato l'apparecchio e lontano da qualsiasi flusso diretto di aria calda.


PULSANTE	FUNZIONE	AZIONE
	<b>POWER</b>	Il pulsante di accensione <b>POWER</b> accenderà il caminetto e avvierà la modalità standby. Così facendo si attiveranno/disattiveranno tutte le funzioni contemporaneamente ma si manterranno le impostazioni in memoria.
	<b>MY FLAME</b>	Premere il pulsante MY FLAME seguito da "+" e "-" oppure '←' e '→', l'unità ciclerà attraverso 9 impostazioni della fiamma. Le fiamme dalla 1 alla 6 sono impostazioni predefinite, quelle dalla 7 alla 9 possono essere salvate come impostazioni personalizzate.
	<b>FIAMMA</b>	Premi il pulsante della <b>FIAMMA</b> per accedere alla schermata principale di regolazione dell'effetto fiamma, premi i pulsanti '←' e '→' per eseguire il ciclo attraverso 16 opzioni di colori della fiamma, inclusa OFF. Premi i pulsanti "+" e "-" per regolare la luminosità da 20 a 100%, 5 impostazioni in totale.


PULSANTE	FUNZIONE	AZIONE
	<b>CROGIOLO DI COMBUSTIONE/ CEPPI INCANDESCENTI/ SINCRONIZZAZIONE</b>	<p>Premi il pulsante per accedere alle impostazioni <b>CROGIOLO DI COMBUSTIONE</b>, premi i pulsanti '←' e '→' per ciclare attraverso Rosso - Ambra - Giallo - Verde - Ciano - Blu - Viola - Bianco - ciclo 13 colori - Off.</p> <p>Premi i pulsanti "+" e "-" per regolare la luminosità da 20 a 100%, 5 impostazioni in totale.</p> <p>Premi nuovamente per accedere alla schermata di regolazione <b>CEPPI INCANDESCENTI</b>. Premi i pulsanti '←' e '→' per ciclare attraverso Rosso - Ambra - Giallo - Verde - Ciano - Blu - Viola - Bianco - ciclo 13 colori - Off.</p> <p>Premi i pulsanti "+" e "-" per regolare la luminosità da 20 a 100%, 5 impostazioni in totale.</p> <p>Premi il pulsante per la quarta volta per accedere alla <b>SINCRONIZZAZIONE</b>, i colori della tavolozza delle il letto di braci e la combustione dei ceppi potrebbero essere sincronizzati. Premi i pulsanti '←' e '→' i colori della tavolozza delle di brac per ciclare attraverso Rosso - Ambra - Giallo - Verde - Ciano - Blu - Viola - Bianco - ciclo 13 colori - Off.</p> <p>Premi i pulsanti "+" e "-" per regolare la luminosità da 20 a 100%, 5 impostazioni in totale.</p>
	<b>LUCE VERSO IL BASSO</b>	<p>Premi nuovamente per accedere alla schermata di regolazione <b>LUCE VERSO IL BASSO</b>. Premi i pulsanti '←' e '→' per ciclare attraverso Giallo - Bianco - Off.</p> <p>Premi i pulsanti "+" e "-" per regolare la luminosità da 20 a 100%, 5 impostazioni in totale.</p>
	<b>LUCE AMBIENTALE</b>	<p>Premi il pulsante per accedere alle impostazioni <b>LUCE AMBIENTALE</b>, e l'impostazione eseguirà il ciclo attraverso Bianco freddo - Bianco - Bianco caldo - Ambra chiara - Ambra - Giallo - Giallo oro - Rosso - Verde - Ciano - Blu - Viola chiaro - Viola - ciclo 13 colori e Off.</p> <p>Premi i pulsanti "+" e "-" per regolare la luminosità da 20 a 100%, 5 impostazioni in totale.</p>
	<b>RISCALDAMENTO</b>	<p>Premi il pulsante <b>RISCALDAMENTO</b>, e il riscaldatore eseguirà il ciclo dell'impostazione di riscaldamento: AUT - LOW - HIGH - OFF. In modalità AUTO/AUT il riscaldatore funzionerà in base alle impostazioni inserite nel timer settimanale tramite App.</p>
	<b>TIMER</b>	<p>Premi il pulsante <b>TIMER</b> per impostare l'orario desiderato per l'accensione del caminetto. Il timer può essere impostato a 0,5H, 1,0H e poi ogni ora fino a 10,0H.</p>
	-	<p>Premi i pulsanti '←' e '→' per selezionare impostazioni diverse come le impostazioni dei colori della funzione corrispondente.</p>
	-	<p>Premi i pulsanti "+" e "-" per aumentare o ridurre impostazioni quali la luminosità.</p>


## FUNZIONAMENTO DELL'APPARECCHIO - FUNZIONAMENTO AVANZATO



## ACCENSIONE / SPEGNIMENTO

Premere il  pulsante per accendere l'effetto fiamma.

Premere il  pulsante per disattivare tutte le funzioni nella manuale modalità di controllo del riscaldamento, inclusi l'effetto fiamma ed il riscaldatore della ventola.

Premere il  pulsante per disattivare l'effetto fiamma in modalità AUTO.

## GIORNI DELLA SETTIMANA/ORAZIONE/TEMPERATURA COMFORT E IMPOSTAZIONE UNITÀ

Queste impostazioni possono essere definite e controllate attraverso la funzione dell'app MyFlame.


## REGOLAZIONE DELLA TEMPERATURA IMPOSTATA

Premere il pulsante '+' o '-' per aumentare o diminuire la temperatura.

## CONTROLLO DI AVVIO ADATTIVO

In base alla temperatura ambiente e alla temperatura impostata, il riscaldatore determina automaticamente il tempo di riscaldamento appropriato per garantire che raggiunga la temperatura impostata nel tempo impostato.

## REGOLAZIONE DEL COLORE DELLA FIAMMA

Premi il pulsante .

Sono disponibili 16 opzioni di colori della fiamma, inclusa OFF.

Sono disponibili 5 livelli di luminosità.







Premere il pulsante '<' o '>' per scorrere ciclicamente le opzioni del colore della fiamma.

Premere il pulsante '+' per aumentare la luminosità della fiamma.

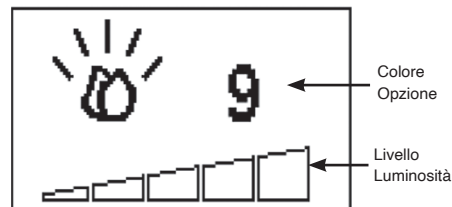
Premere il pulsante '-' per ridurre la luminosità della fiamma.

## REGOLAZIONE CROGIOLO DI COMBUSTIONE

Premi il pulsant    fino a quando non compare la .

Sono disponibili 10 opzioni di colori della fiamma, inclusa OFF.

Sono disponibili 5 livelli di luminosità.







Premere il pulsante '<' o '>' per scorrere ciclicamente le opzioni del colore della fiamma.

Premere il pulsante '+' per aumentare la luminosità della fiamma.

Premere il pulsante '-' per ridurre la luminosità della fiamma.

## REGOLAZIONE CEPPI INCANDESCENTI

Premi il pulsant    fino a quando non compare la .

Sono disponibili 10 opzioni di colori della fiamma, inclusa OFF.

Sono disponibili 5 livelli di luminosità.



Premere il pulsante '<' o '>' per scorrere ciclicamente le opzioni del colore della fiamma.

Premere il pulsante '+' per aumentare la luminosità della fiamma.

Premere il pulsante '-' per ridurre la luminosità della fiamma.

## REGOLAZIONE LUCE VERSO IL BASSO

Premi il pulsant .

Sono disponibili 3 opzioni di colori della fiamma, inclusa OFF.

Sono disponibili 5 livelli di luminosità.





Premere il pulsante '<' o '>' per scorrere ciclicamente le opzioni del colore della fiamma.

Premere il pulsante '+' per aumentare la luminosità della fiamma.

Premere il pulsante '-' per ridurre la luminosità della fiamma.

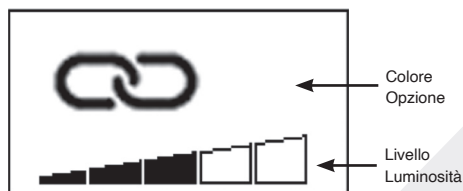


## OPZIONE SYNC COLORI

Premi il pulsante  fino a quando non compare la . Questa funzione collega tutti i colori insieme.

Sono disponibili 10 opzioni di colori della fiamma, inclusa OFF.

Sono disponibili 5 livelli di luminosità.



Premere il pulsante '←' o '→' per scorrere ciclicamente le opzioni del colore della fiamma.

Premere il pulsante '+' per aumentare la luminosità della fiamma.

Premere il pulsante '-' per ridurre la luminosità della fiamma.

## REGOLAZIONE ILLUMINAZIONE D'ATMOSFERA

Premi il pulsante .

Sono disponibili 14 opzioni di colori della fiamma, inclusa OFF.

Sono disponibili 5 livelli di luminosità.



Premere il pulsante '←' o '→' per scorrere ciclicamente le opzioni del colore della fiamma.

Premere il pulsante '+' per aumentare la luminosità della fiamma.

Premere il pulsante '-' per ridurre la luminosità della fiamma.

## PRESET COLORI MYFLAME

Premi pulsante  e comparirà il numero preset.



Sono disponibili 9 preset:

Premi il pulsante "+" o "-" o '←' o '→' per modificare il preset.

1-9 sono combinazioni realistiche di fiamme.

7-9 sono state realizzate per combinazioni di fiamme personalizzate.



Per creare un effetto fiamma personalizzato:

Modifica colore e densità di tavolozza delle fiamme principale/ fiamme/letto ambra/ceppi/luce verso il basso e velocità (non striscia LED per atmosfera).


Per confermare le impostazioni, premi il pulsante My Flame per almeno 3 secondi. Il telecomando consente di scegliere la memorizzazione su 7, 8 o 9.

Seleziona il numero ("+" o "-" o '←' o '→') e premi nuovamente il pulsante My Flame.

Il prodotto memorizza le impostazioni personali.

## CONTO ALLA ROVESCIA

Questa impostazione è solo nella normale modalità di controllo del riscaldamento. Consente all'apparecchio di tornare in standby dopo un determinato periodo di tempo. Il riscaldatore deve essere acceso per utilizzare questa funzione.

Premere  per scorrere in modo ciclico tra le impostazioni a partire da Off e da 0,5 ore a 10 ore. Il logo del timer e il tempo rimanente verranno visualizzati sullo schermo.



## DELL'APPARECCHIO - RISOLUZIONE DEI PROBLEMI

### PILA

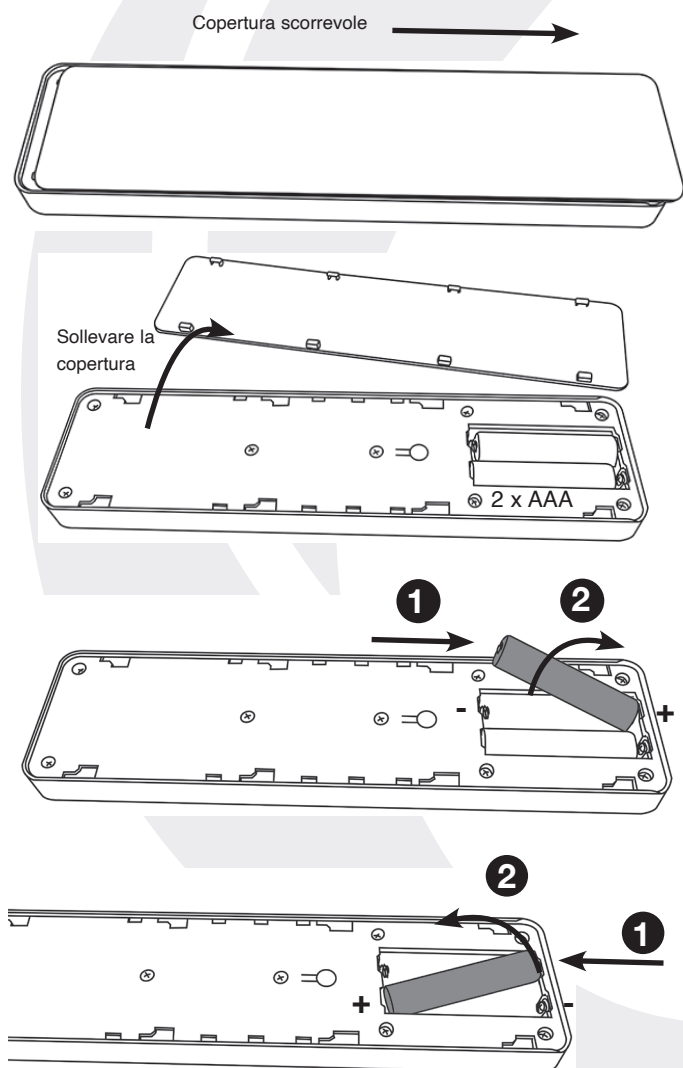
Il livello di carica della batteria è indicato in alto a destra nella schermata del telecomando.

	Batteria carica	Nessuna azione richiesta
	Batteria a metà carica	Assicurarsi che siano disponibili nuove batterie.
	Batteria scarica	Sostituire immediatamente le batterie

**i** **NOTA:** il telecomando è dotato di indicatore di stato della batteria (angolo in alto a destra), dopo un periodo di inattività, lo schermo LED smetterà di funzionare anche se il telecomando resterà in grado di inviare comandi  
Sostituire le batterie per ripristinare il display.

### SOSTITUZIONE DELLA BATTERIA

Le batterie scariche devono essere rimosse dall'apparecchio e smaltite in modo sicuro.



Assicurarsi che le pile del telecomando siano nuove e correttamente inserite.

Smaltire le pile vecchie presso una struttura di riciclaggio appropriata.

Si consiglia di sostituire le batterie dopo 1 anno. Il telecomando richiede due batterie AAA alcaline da 1,5 V.

Garantire la corretta polarità.  
Non cortocircuitare i terminali.

Non tentare di ricaricare batterie non ricaricabili.  
Rimuovere le batterie ricaricabili prima di caricarle.

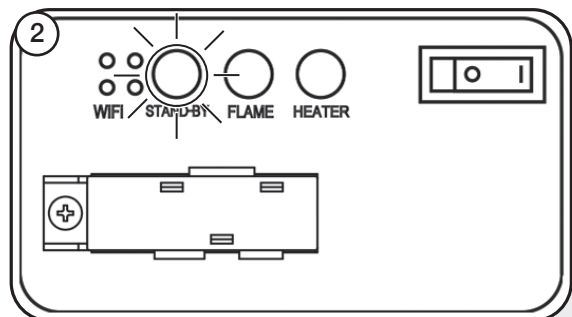
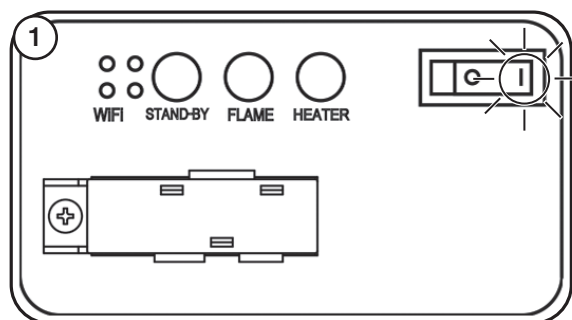
Non mischiare batterie vecchie e nuove.

Rimuovere le batterie se l'apparecchio non viene utilizzato per lunghi periodi.

**i** **NOTA:** Per utilizzare entrambe le funzioni remota e manuale, l'interruttore di accensione/spegnimento manuale deve essere in posizione "ON". Per evitare che il prodotto diventi troppo caldo, si verifica un ritardo di 10 secondi all'accensione del riscaldatore e un ritardo di 10 secondi quando si spegne la ventola del riscaldatore.

**Il pulsante manuale controlla le funzioni di base, non una gamma completa di controlli. Utilizzare il telecomando per eseguire tutte le funzioni.**

## PULSANTE DI RIPRISTINO PER TELECOMANDO

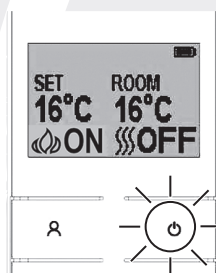


3 secondi



2 bip

3



1 beep

## CODICE DI SEGNALE

Il telecomando funziona tramite segnale radio.  
Il trasmettitore manuale è configurato in fabbrica con un codice di segnale unico.

**IMPORTANTE:** Se il telecomando perde il segnale o deve essere sostituito, per informazioni più dettagliate, consultare istruzioni manutenzione.

## MANUTENZIONE

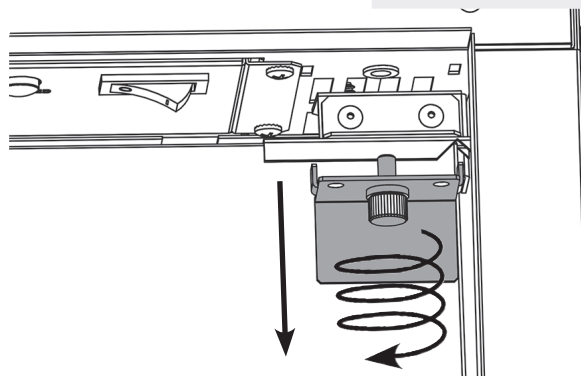
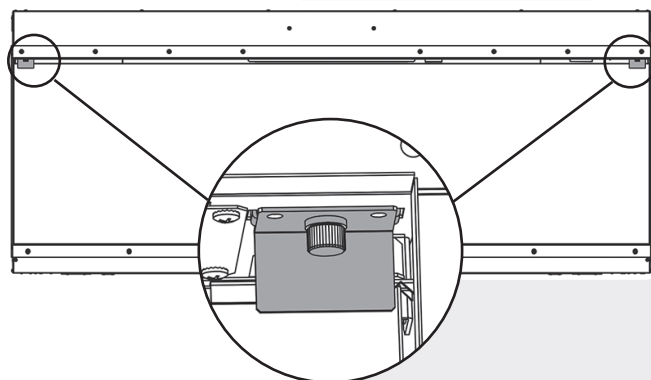
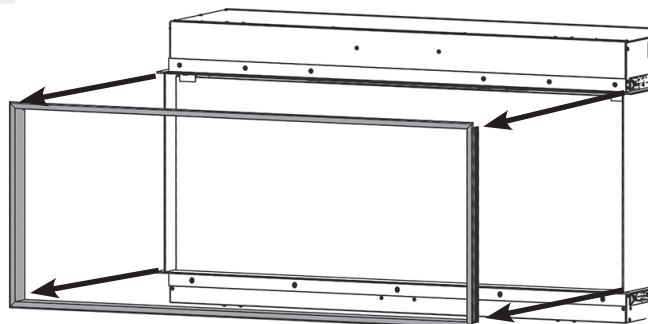
**SCOLLEGARE SEMPRE DALLA RETE ELETTRICA PRIMA DI PULIRE O DI ESEGUIRE QUALSIASI TIPO DI MANUTENZIONE.**

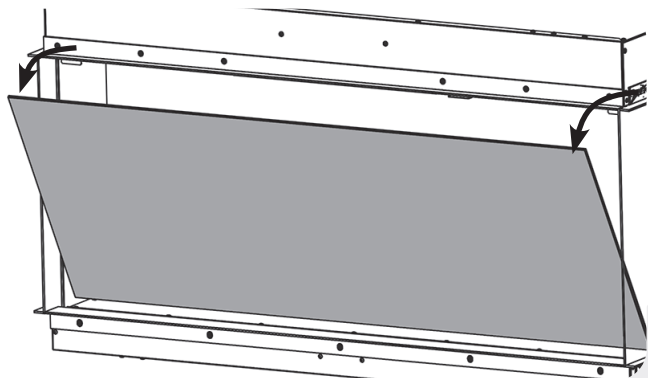
### PULIZIA DELLE PARTI ANTERIORI

Passare un panno umido sul pannello in vetro e lucidare con un panno senza pelucchi.

**Attenzione:** non utilizzare detersivi abrasivi sul pannello in vetro. Non spruzzare direttamente liquidi su nessuna superficie dell'unità.

### PULIZIA DELL'EFFETTO COMBUSTIBILE





Rimuovere e lavare l'effetto combustibile per eliminare eventuali particelle di polvere. In alternativa pulire con un panno privo di lanugine.

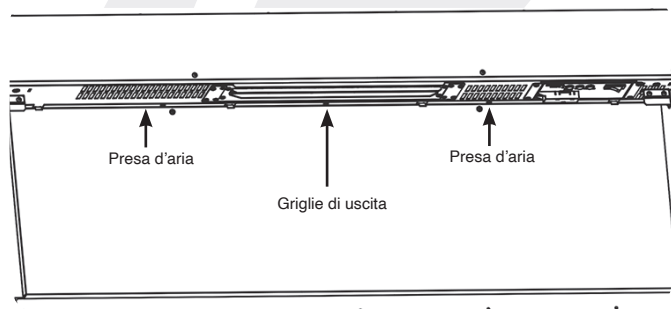
**Verificare che l'effetto sia asciutto prima della sostituzione.**

**Sostituire l'effetto combustibile, vedere Istruzioni per l'installazione per la disposizione.**

Sostituire seguendo l'ordine inverso.

## PULIZIA DELLE PRESE D'ARIA

Pulire regolarmente la presa d'aria e le griglie di uscita con un panno morbido o con il becco dell'aspirapolvere.



**Gli accumuli di polvere possono impedire il corretto funzionamento della ventola e causare l'attivazione dell'interruttore di sicurezza.**

Tenere l'area intorno all'apparecchio pulita e libera da lanugine, polvere o peli di animali.

In particolare, è possibile che si formino degli accumuli di polvere, ecc. attorno all'area del riscaldatore in cima all'elettrodomestico. Prestare particolare attenzione a mantenere quest'area regolarmente libera da tali particelle per impedire gli accumuli.

## INSTALLAZIONE

### GENERALI

#### STRUMENTI NECESSARI

Saranno necessari cacciavite, livella, sega e trapano.

#### DISIMBALLAGGIO DEL CAMINETTO

**ATTENZIONE! NON usare questo apparecchio se una parte qualsiasi è stata esposta all'acqua.**

Chiamare immediatamente un tecnico dell'assistenza qualificato per l'ispezione e la riparazione di qualsiasi parte dell'impianto elettrico, se necessario.

Aprire attentamente la confezione e rimuovere il polistirolo. Rimuovere e gettare la busta di plastica.

Tenere l'involucro di plastica fuori dalla portata dei bambini. Prestare attenzione durante la manipolazione dei materiali di imballaggio.

Controllare che tutte le parti e gli accessori siano stati rimossi prima di gettare gli imballaggi. Se necessario, conservare la confezione originale per il trasporto e/o lo stoccaggio futuri.

Testare l'apparecchio prima di procedere all'installazione.

### INSTALLAZIONE DELL'APPARECCHIO

#### POSIZIONAMENTO DI FUSION

Il nuovo Fusion può essere installato praticamente in qualsiasi punto della casa. Tuttavia, nella scelta della posizione, seguire le istruzioni generali.

**La collocazione ideale del riscaldatore è in o su una parete piana interna realizzata con assicelle di legno e intonaco o in cartongesso. I fissaggi forniti sono SOLO per pareti in mattoni. Assicurarsi di usare fissaggi adatti quando il montaggio avviene su pareti vuote o costruite appositamente. NOTA: Questo apparecchio non è adatto per pareti a intercapedine, per essere posizionato a ridosso di pareti esterne, camini aperti o altre aperture che potrebbero essere soggetti a umidità e spifferi, salvo il caso in cui vengano prese le giuste precauzioni per evitare che l'apparecchio entri in contatto con umidità o spifferi. Per simili installazioni è necessario sigillare completamente eventuali condotti dell'aria per camini già esistenti o realizzati appositamente.**

Per i migliori risultati, installarlo lontano dalla luce solare diretta.

**L'apparecchio deve essere installato in una costruzione con asticelle di legno e intonaco creata per lo scopo. Si prega di assicurarsi che vengano usati dei fissaggi adatti quando si fissa in qualsiasi parete vuota o con cavità.**

**Assicurarsi che non vi siano tubi o cavi dietro la zona da forare o tagliati.**

Prima dell'installazione assicurarsi che la parete sia costruita in modo adeguato per sostenere il peso dell'apparecchio.

L'apparecchio deve essere posizionato vicino a una presa elettrica adatta per consentire il collegamento. Un'estensione può essere eseguito da una presa esistente, ma ciò deve essere effettuato da un tecnico elettrico qualificato.

La presa elettrica deve essere facilmente accessibile per consentire lo scollegamento una volta montato l'apparecchio.

Se il cavo di alimentazione è danneggiato, non utilizzare l'apparecchio finché non viene sostituito. Per motivi di sicurezza, la sostituzione deve essere effettuata da un responsabile dell'assistenza elettricista.

Assicurarsi che tende e mobili non sono posizionati in prossimità della posizione scelta, in quanto ciò creerebbe un potenziale rischio di incendio o ostruire i condotti di scarico del riscaldatore.

**ATTENZIONE! TENERE QUALSIASI MATERIALE COMBUSTIBILE AD ALMENO 1 M DI DISTANZA DALLA PARTE ANTERIORE E DAI LATI DEL CAMINETTO ELETTRICO.**

## REQUISITI DI RIPARAZIONE



**DURANTE LA RIPARAZIONE DI QUESTO APPARECCHIO POTREBBE ESSERE NECESSARIO TAGLIARE LE FASCETTE DEI CAVI PER RAGGIUNGERE E TOGLIERE ALCUNE PARTI. QUESTE DEVONO ESSERE RIMESSE AL LORO POSTO QUANDO SI RIMONTA L'APPARECCHIO.**

**QUESTO APPARECCHIO DEVE ESSERE RIPARATO SOLO DA PERSONALE QUALIFICATO.**

**PRIMA DI MANEGGIARE L'APPARECCHIO: SPEGNERE L'APPARECCHIO, ISOLARE L'ALIMENTAZIONE E ASSICURARSI CHE L'APPARECCHIO NON SIA ALIMENTATO DALLA CORRENTE.**

Attendere almeno 10 minuti, in modo da far raffreddare l'unità.

### **Sostituzione delle pile del telecomando**

Sostituire con 2 x pila AAA. Assicurarsi che la pila sia correttamente installata nel telecomando.



**NOTA: il telecomando è dotato di indicatore di stato della batteria (angolo in alto a destra), dopo un periodo di inattività, lo schermo LED smetterà di funzionare anche se il telecomando resterà in grado di inviare comandi. Sostituire le batterie per ripristinare il display.**

### **Manutenzione dei motori**

I motori utilizzati nella ventola e nell'effetto fiamma sono già lubrificati per aumentare la durata dei cuscinetti e non richiedono ulteriore lubrificazione. Tuttavia, si consiglia una pulizia/aspirazione periodica della ventola/riscaldatore.

### **Reimpostazione dell'interruttore termico di sicurezza**

L'apparecchio è dotato di un controllo elettronico di sicurezza (E.S.), un dispositivo di sicurezza che spegne il caminetto se si surriscalda per qualsiasi motivo, ad esempio se viene coperto.

Se il riscaldatore smette di funzionare e l'effetto fiamma continua a funzionare, significa che il controllo E.S. si è attivato.

Il controllo E.S. può essere reimpostato solo dopo che l'apparecchio si è raffreddato.

Per reimpostare il controllo E.S.:

Spegnere l'apparecchio (interruttore manuale On/Off) e lasciarlo raffreddare per circa 120 minuti.

Rimuovere eventuali ostruzioni dall'uscita del riscaldatore a ventola o da altre parti interne.

Accendere l'apparecchio e il controllo E.S. si reimposterà.

Assicurarsi che l'apparecchio funzioni correttamente. Se il controllo E.S. si riattiva, far controllare l'apparecchio da un elettricista qualificato.

# onyx

## Service i særklasse

Gratulerer som ny eier av en Onyx-ovn eller  
-peis – velkommen til familien.

Når du eier et Onyx-produkt, kan du forvente  
deg det aller beste innen britisk design og  
konstruksjon av ovner og peiser. Vi tilfører  
hjemmet ditt eksepsjonell varmeytelse, i  
tillegg til særpreg og individualitet.

Vi gjør vårt ytterste for å sikre at ovnene våre  
designes, testes og produseres ut fra de  
aller høyeste kvalitetsstandarder. Vi er stolte  
av ettersalgstjenesten vår, og strekker oss  
ekstra langt slik at du kan nyte godt av Onyx-  
produktet ditt i mange år fremover.



## VIKTIG

**DELER AV DET YTRE KABINETTET AV DETTE APPARAT ER AV PRODUSENTEN ANSETT FOR Å VÆRE EN ARBEIDSOVERFLATE SOM BLIR VARM NÅR DEN ELEKTRISKE PEISEN SLÅS PÅ. DET ER DERFOR ANBEFALT AT EN BRANNVAKT OVERHOLDER BS 8423 (SISTE UTGAVE) BRUKES I NÆRVÆR AV SMÅ BARN, ELDTRE ELLER BEVEGELSESHEMMEDE. RILLENE FORAN VARMEUTTAKET BLIR VELDIG VARME UNDER BRUK. IKKE DEKK TIL RILLENE ELLER NOEN ANNEN DEL AV APPARATET.**

Kun for bruk med 230 V 50Hz strømtilførsel.

Vennligst les disse instruksjonene nøye før bruk og oppbevar dem på et trygt sted.

Det vil bli bruk for dem når det skal utføres service eller vedlikehold på enheten.

**DENNE PEISEN MÅ TILKOBLES JORD**

**DETTE PRODUKTET ER KUN EGNET FOR GODT ISOLERTE ROM OG SPORADISK BRUK.**

## VIKTIG INFORMASJON HELSE OG SIKKERHET

Les alle instruksjonene nøye før du tar i bruk peisen.

**Fjern all emballasje og sørg for å avhende emballasjen på en gjenvinningsstasjon.**

Ikke plasser denne peisen umiddelbart rett under et strømkontakt.

Deler av det ytre kabinettet av dette apparat er av produsenten ansett for å være en arbeidsoverflate som blir varm når den elektriske peisen slås på. Du må bruke egnet brannsikring for å beskytte barn, eldre og funksjonshemmede.

Ikke bruk peisen i nærheten av bad, dusj, svømmebasseng eller annet område der peisen kan komme i kontakt med vann eller fuktighet, f.eks. i baderom.



### ADVARSEL! IKKE DEKK TIL

Ikke la peisen bli tildekket eller la luftinntak/-avløp bli hindret da dette kan føre til overoppheting. Vennligst merk deg advarselssymbolet på peisen (se over).

**Kun for innendørs bruk.** Peisen er ikke egnet for bruk utenfor huset.

Dette apparatet må monteres i en tilpasset ramme av reisverk. Påse at apparatet er i vater og at møbler, gardiner osv. ikke er plassert nærmere enn 1 m.

Om strømledninger må passere gjennom en peis, steininnramming e.l. må det passes på at det monteres egnede gummihylser på mulige slitesteder.

Ved installering i en åpen peis må pipen blendes av for å redusere faren for baktrekk som kan forårsake at sikkerhetsavstengingen løses ut.

Hold strømledningen unna varme overflater og varme generelt. Ikke legg strømledningen foran peisen.

Ved installering i en åpen peis må pipen blendes av for å redusere faren for baktrekk som kan forårsake at sikkerhetsavstengingen løses ut.

Dersom strømkabelen er ødelagt, må du ikke bruke peisen før du har byttet den. Av sikkerhetsmessige grunner bør dette arbeidet utføres av Onyx servicepersonell eller elektriker med godkjent kompetanse.

**ADVARSEL:** For å unngå en fare grunnet utilsiktet tilbakestilling av den termiske sikringsautomaten, må denne anordningen ikke få strømtilførsel via et eksternt bryter-apparat, slik som en tidsbryter. Den må heller ikke kobles til en krets som regelmessig skrur på og av strømforsyningen.

Ikke bruk peisen hvis den har fått skader.

Reparasjoner av elektriske apparater må bare gjøres av autoriserte teknikere. Dersom peisen ikke virker eller det er blitt ødelagt, vennligst kontakt forhandleren som solgte deg peisen.

Dette apparatet kan brukes av barn fra 8 år og oppover og av personer med redusert fysisk, sensorisk eller mentale evner, eller mangel på erfaring og kjennskap, dersom de er under tilsyn eller har blitt gitt instruksjoner om bruk av apparatet på en trygg måte og de forstår farene som er involvert. Barn skal ikke leke med apparatet. Rengjøring og brukervedlikehold skal ikke utføres av barn uten tilsyn.

Barn under 3 år bør holdes unna med mindre de er kontinuerlig overvåket.

Barn i alderen mellom 3 og 8 år skal kun slå apparatet på/ av dersom det er plassert og montert i dens tiltenkte normale driftsposisjon og de er under tilsyn eller har blitt gitt instruksjoner om bruk av apparatet på en trygg måte og de forstår farene involvert. Barn i alderen mellom 3 og 8 år skal ikke plugge inn, justere og rengjøre apparatet eller utføre vedlikehold.

**Forsiktig: Noen deler av dette produktet kan bli veldig varme og forårsake forbrenning. Spesiell oppmerksomhet må gis der barn og sårbare mennesker er til stede.**

**Onyx anbefaler uansett:**

**Dette apparatet er ikke tiltenkt brukt av personer under 12 år, personer med nedsatt fysisk, sensorisk eller mental evne, eller personer som mangler erfaring og kjennskap til trygg betjening av apparatet.**

Apparatet kan betjenes av personer over 12 år forutsatt at de har fått instruksjon i trygg bruk av apparatet og at de forstår hvilke farer som er involvert. Personer over 12 år kan også betjene apparatet under tilsyn av en ansvarlig voksen person.

Deler av dette apparatet blir varme under drift og personer under 12 år må ikke under noen omstendigheter forlates alene med produktet når det er i drift med mindre det brukes et varmeskjold for å beskytte dem mot direkte kontakt med apparatet.

Barn skal ikke leke med apparatet.

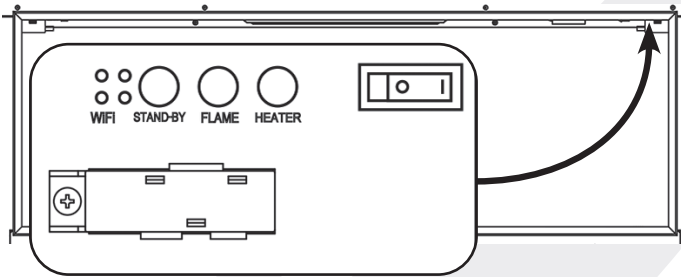
Rengjøring og brukervedlikehold skal ikke utføres av barn uten tilsyn.

## BETJENINGSINSTRUKSER

**ADVARSEL!** Ikke bruk peisen hvis det har fått skader. Dersom du mistenker at peisen er ødelagt eller ikke fungerer som det skal, kontakt en godkjent tekniker for å inspisere peisen og, dersom nødvendig, bytt ut den aktuelle delen i det elektriske systemet før du bruker peisen igjen.

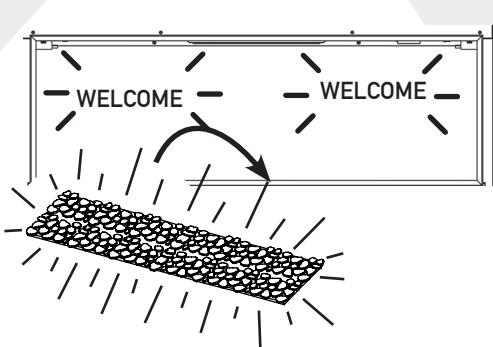
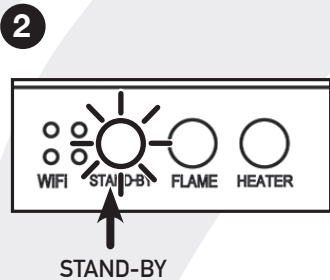
Strømtilførselen må ikke frakobles når peisen er På. Bruk funksjonene på fjernkontrollen for å slå av peisen og forsikre deg om at skillebryteren er satt i Av-stilling før strømmen frakobles.

### MANUELT KONTROLLPANEL



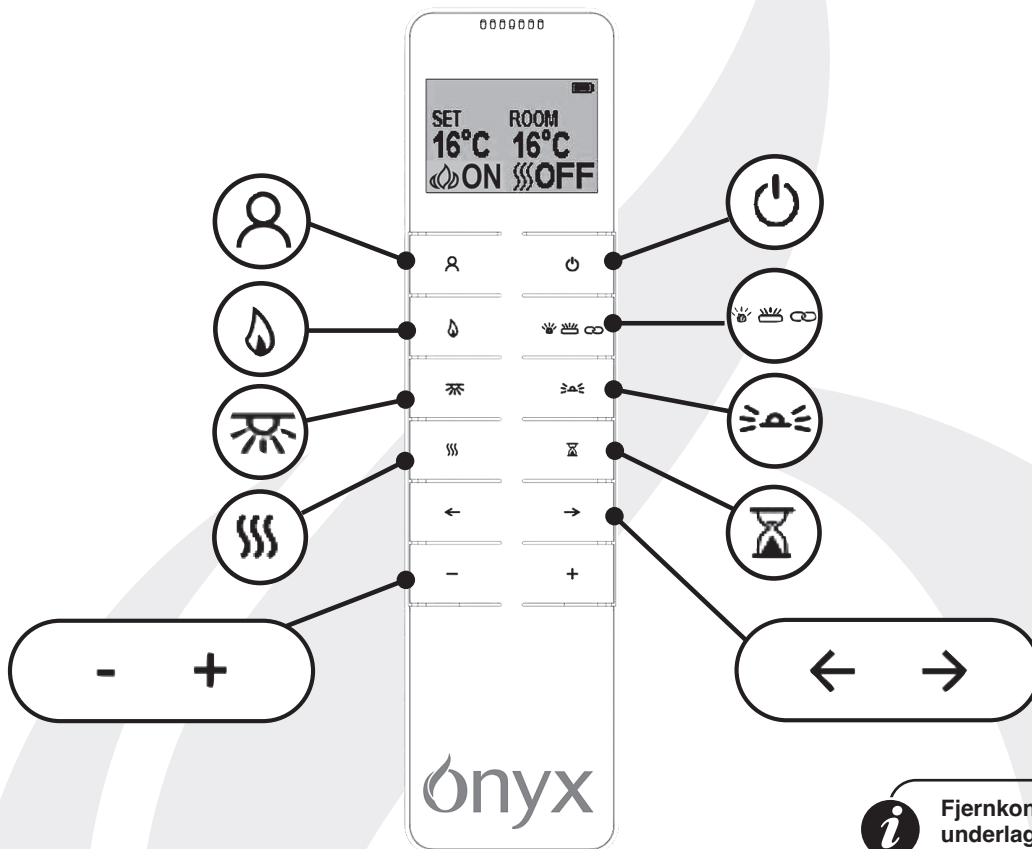
**MERK:** For å bruke både fjernkontrollen og manuelle funksjoner må den manuelle på/av-bryteren stå i posisjon 'PÅ'. For å unngå at produktet blir for varmt, er det en 10 sekunders forsinkelse når du skrur på varmeapparatet, og en 10 sekunders forsinkelse når du skrur av vifteovnen.

Den manuelle knappen kontrollerer grunnleggende funksjoner, ikke en hel serie med kontroller. Bruk fjernkontrollen for å utføre alle funksjonene.








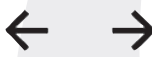
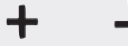
KNAPP	FUNKSJON	HANDLING
<p>AV    PÅ</p>	<p><b>PÅ:</b> Slår på hvilemodusen. Aktiverer alle funksjonene og fjernkontrollen.</p> <p><b>AV:</b> Slår av alle peisfunksjonene, og deaktiverer fjernkontrollen.</p>	<p>Slår nettstrømbryteren på. En langvarig pipelyd høres når bryteren slås til PÅ-stillingen.</p>
<p>STRØM PÅ/AV</p>	<p>Trykk for å skru på flammen eller slå peisen av.</p> <p><b>KODINGEN:</b> Trykk på knappen til det høres 2 korte pip fra enheten, slipp knappen. Innen 10 sekunder, trykk på knappen  på fjernkontrollen. Kodingen er fullført når 1 lang pipelyd kan høres fra enheten.</p>	
<p>FLAMME</p>	<p>Går gjennom 9 nivåer av flammeinnstillinger, som samsvarer med innstillingen under MY FLAME på fjernkontrollen og i appen.</p> <p>Fortsett å trykke i 3 sekunder for å slå av pipelyden for knappene og fjernkontrollen.</p>	<p>Går gjennom de ni nivåene av flammeinnstillinger og flamme av.</p>
<p>VARMEAPPARAT</p>	<p>Trykk for å sirkulere mellom LOW - HIGH - OFF.</p>	<p>Varmeapparatet går gjennom innstillingene Lavt – Høyt – Varmeapparat av. Indikatorlyset lyser når varmeapparatet er slått på. Indikatorlyset slukkes etter 10 sek.</p>
<p>WIFI WIFI</p>	<p>Trykk for å koble til eller koble fra nettverket.</p>	<p>Indikatorlampen vil lyse når WIFI er slått på.</p>

## FJERNKONTROLLER



Fjernkontrollen bør legges på et flatt underlag i rommet der apparatet er montert og vekk fra enhver direkte varmluftsstrøm.


KNAPP	FUNKSJON	HANDLING
	<b>STRØMKNAPPEN</b>	<b>STRØMKNAPPEN</b> slår på peisen og setter den i hvilemodus. Med denne slår du på/av alle funksjonene samtidig, men innstillingene lagres i minnet.
	<b>MY FLAME</b>	Trykk på My Flame-knappen etterfulgt av + og - eller '←' og '→', går enheten gjennom 9 flammeinnstillinger. Flamme 1–6 er standardinnstillinger, mens 7–9 kan lagres som tilpassede innstillinger.
	<b>FLAMME</b>	Trykk på <b>FLAMME</b> -knappen for å gå inn på skjermen for justering av flammeeffekt. Trykk på knappene '←' og '→' for å gå gjennom innstillingene. Det er 16 alternativer for flammefarge, inkludert AV.  Trykk på knappene + og - for å justere lysstyrken fra 20 –100 %, med totalt 5 innstillinger.


KNAPP	FUNKSJON	HANDLING
	<b>BRENNKAMMERET/ GLØDENDE VED/ SYNKRONISERING</b>	<p>Trykk på knappen for å gå inn på skjermen med innstillinger for <b>BRENNKAMMERET</b>. Trykk på knappene '←' og '→' for å gå gjennom innstillingene Rød – Oransje – Gul – Grønn – Cyan – Blå – Lilla –Hvit – Syklus med 13 farger – Av.</p> <p>Trykk på knappene + og - for å justere lysstyrken fra 20–100 %, med totalt 5 innstillinger.</p> <p>Trykk igjen for å gå inn på skjermen for justering av <b>GLØDENDE VED</b>.</p> <p>Trykk på knappene '←' og '→' for å gå gjennom innstillingene Rød – Oransje – Gul – Grønn – Cyan – Blå – Lilla –Hvit – Syklus med 13 farger – Av.</p> <p>Trykk på knappene + og - for å justere lysstyrken fra 20–100 %, med totalt 5 innstillinger.</p> <p>Trykk på knappen en fjerde gang for å gå inn i <b>SYNKRONISERING</b>. Fargene i flammepaletten, brennkammeret, vedbrenning og nedovervendt lys kan synkroniseres.</p> <p>Trykk på knappene '←' og '→' for å gå gjennom innstillingene Rød – Oransje – Gul – Grønn – Cyan – Blå – Lilla –Hvit – Syklus med 13 farger – Av.</p> <p>Trykk på knappene + og - for å justere lysstyrken fra 20–100 %, med totalt 5 innstillinger.</p>
	<b>NEDOVERVENDT LYS</b>	<p>Trykk på knappen for å gå inn på skjermen med innstillinger for <b>NEDOVERVENDT LYS</b>. Trykk på knappene '←' og '→' for å gå gjennom innstillingene Gul – Hvit – Av.</p> <p>Trykk på knappene + og - for å justere lysstyrken fra 20–100 %, med totalt 5 innstillinger.</p>
	<b>OMGIVELSESLYS</b>	<p>Trykk på knappen for å gå inn i innstillingene for <b>OMGIVELSESLYS</b>. Innstillingen sirkulerer gjennom Kald hvit - Hvit - Varm hvit - Lys oransje - Oransje - Gul - Gyllen gul - Rød - Grønn - Cyan - Blå - Lys lilla - Lilla - Syklus med 13 farger og Av.</p> <p>Trykk på knappene + og - for å justere lysstyrken fra 20–100 %, med totalt 5 innstillinger.</p>
	<b>OPPVARMING</b>	<p>Trykk på <b>OPPVARMING</b>-knappen for å få varmeapparatet til å gå gjennom varmeinnstillingene: AUT - LOW - HIGH - OFF. I AUTO/AUT vil varmeapparatet fungere som angitt på den ukentlige timeren via appen.</p>
	<b>TIDSUR</b>	<p>Trykk på <b>TIDSUR</b>-knappen for å stille inn tiden du vil at peisen skal være på. Tidsuret kan stilles inn til 0,5 t, 1,0 t og i hele timer opp til 10,0 t.</p>
	-	<p>Trykk på knappene '←' og '→' for å velge ulike innstillinger, slik som fargeinnstillingen for den tilsvarende funksjonen.</p>
	-	<p>Trykk på knappene + og - for å skru innstillingene opp eller ned, slik som lysinnstillinge</p>


## BETJENING AV APPARETET – AVANSERT BETJENING



## SKRU PÅ/AV

Trykk på  knappen for å skru på flamme-effekten.

Trykk på  knappen for å skru av alle funksjonene under håndbok varmekontroll-modus inkludert flamme-effekt og vifteovn.

Trykk på  knappen for å skru av flamme-effekten under AUTO-varmemodus.

## UKEDAGER/ KLOKKESELETT/ KOMFORTTEMPERATUR OG INNSTILLING AV ENHET

Disse innstillingene kan angis og kontrolleres gjennom MyFlame-appen.

## JUSTERING AV DEN INNSTILTE TEMPERATUREN

Trykk på knappen '+' eller '-' for å øke eller redusere temperaturen.

## ADAPTIV STARTKONTROLL

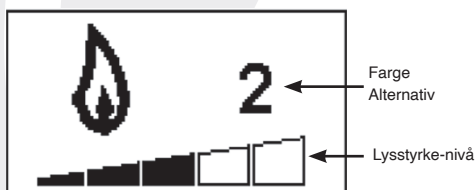
I samsvar med romtemperatur og innstilt temperatur, vil varmeapparatet automatisk avgjøre den hensiktsmessige tiden det vil ta å varme opp, for å sørge for at den når den innstilte temperaturen i den innstilte tiden.

## JUSTERING AV HOVEDFLAMMEFARGE

Trykk på knappen  vises.

Det er 16 alternativer for flammefarge, inkludert AV.

Det er 6 nivåer for lysstyrke.



Trykk på knappen '<' eller '>' for å gå gjennom alternativene for brennkammerfarge.

Trykk på knappen '+' for å øke brennkammerets lysstyrke.

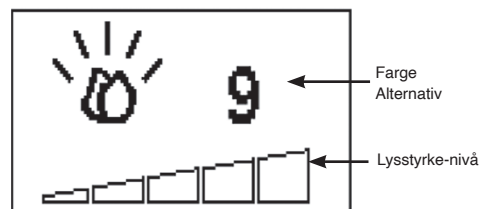
Trykk på knappen '-' for å redusere brennkammerets lysstyrke.

## JUSTERING AV GLØDENDE KUL

Trykk på knappen    inntil  vises.

Det er 10 alternativer for flammefarge, inkludert AV.

Det er 6 nivåer for lysstyrke.



Trykk på knappen '<' eller '>' for å gå gjennom alternativene for brennkammerfarge.

Trykk på knappen '+' for å øke brennkammerets lysstyrke.

Trykk på knappen '-' for å redusere brennkammerets lysstyrke inntil den går av.

## JUSTERING AV GLØDENDE VED

Trykk på knappen    inntil  vises.

Det er 10 alternativer for flammefarge, inkludert AV.

Det er 6 nivåer for lysstyrke.



Trykk på knappen '<' eller '>' for å gå gjennom alternativene for brennkammerfarge.

Trykk på knappen '+' for å øke brennkammerets lysstyrke.

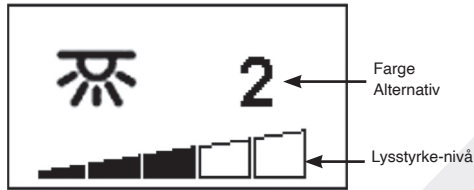
Trykk på knappen '-' for å redusere brennkammerets lysstyrke.

## JUSTERING AV NEDOVERVENDT LYS

Trykk på knappen 

Det er 3 alternativer for flammefarge, inkludert AV.

Det er 6 nivåer for lysstyrke.



Trykk på knappen '←' eller '→' for å gå gjennom alternativene for brennkammerfarge.

Trykk på knappen '+' for å øke brennkammerets lysstyrke.

Trykk på knappen '-' for å redusere brennkammerets lysstyrke.

## ALTERNATIV FOR FARGETILKNYTNING

Trykk på knappen    inntil  vises. Denne funksjonen knytter alle fargene sammen.

Det er 10 alternativer for flammefarge, inkludert AV.

Det er 6 nivåer for lysstyrke.



Trykk på knappen '←' eller '→' for å gå gjennom alternativene for brennkammerfarge.

Trykk på knappen '+' for å øke brennkammerets lysstyrke.

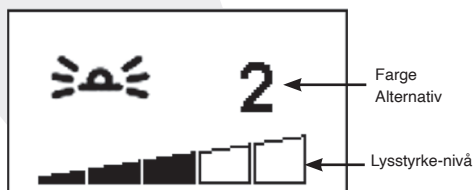
Trykk på knappen '-' for å redusere brennkammerets lysstyrke inntil den går av.

## JUSTERING AV OMGIVELSESLYS

Trykk på knappen 

Det er 14 alternativer for flammefarge, inkludert AV.

Det er 6 nivåer for lysstyrke.



Trykk på knappen '←' eller '→' for å gå gjennom alternativene for brennkammerfarge.

Trykk på knappen '+' for å øke brennkammerets lysstyrke.

Trykk på knappen '-' for å redusere brennkammerets lysstyrke inntil den går av.

## FORHÅNDSINNSTILTE FARGER I MY FLAME

Trykk på knappen  for å vise tallet for forhåndsinnstilling.

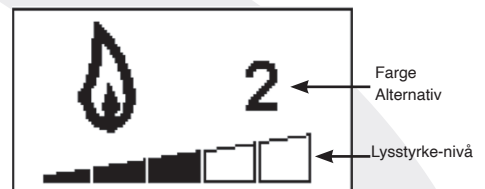


Det er 9 forhåndsinnstilte.

Trykk på knappen + eller - eller '←' eller '→' for å endre forhåndsinnstillingen.

1–9 er realistiske flammekombinasjoner.

7–9 er laget for tilpassede flammekombinasjoner.



Slik lager du en tilpasset flammeeffekt:

Endre farge og tetthet av hovedflamme / Flammepalett / Glødeseng / Ved / Nedovervendt lys og Hastighet (ikke LED-stripe for omgivelseslys).

Bekreft innstillingene ved å trykke på Min flamme-knappen i minst 3 sekunder. Fjernkontrollen gir deg valget mellom å lagre den som nummer 7, 8 eller 9.

Velg nummer ( + eller - eller '←' eller '→' ) og trykk på Min flamme-knappen igjen. Produktet lagrer den personlige innstillingen.

## NEDTELLING TIDSBRYTER

Denne innstillingen er kun i normal oppvarming kontrollmodus. Den gjør at apparatet kan gå tilbake i hvilemodus etter en innstilt tidsperiode. Varmeapparatet må skrus på for å bruke denne funksjonen.




Trykk på  for å gå gjennom innstillingen fra Av og 0,5 timer til 10 timer. Tidsbryterens logo og gjenværende tid vil vises på skjermen.



## BETJENINGSINSTRUKSER - FEILSØKING

### BATTERI

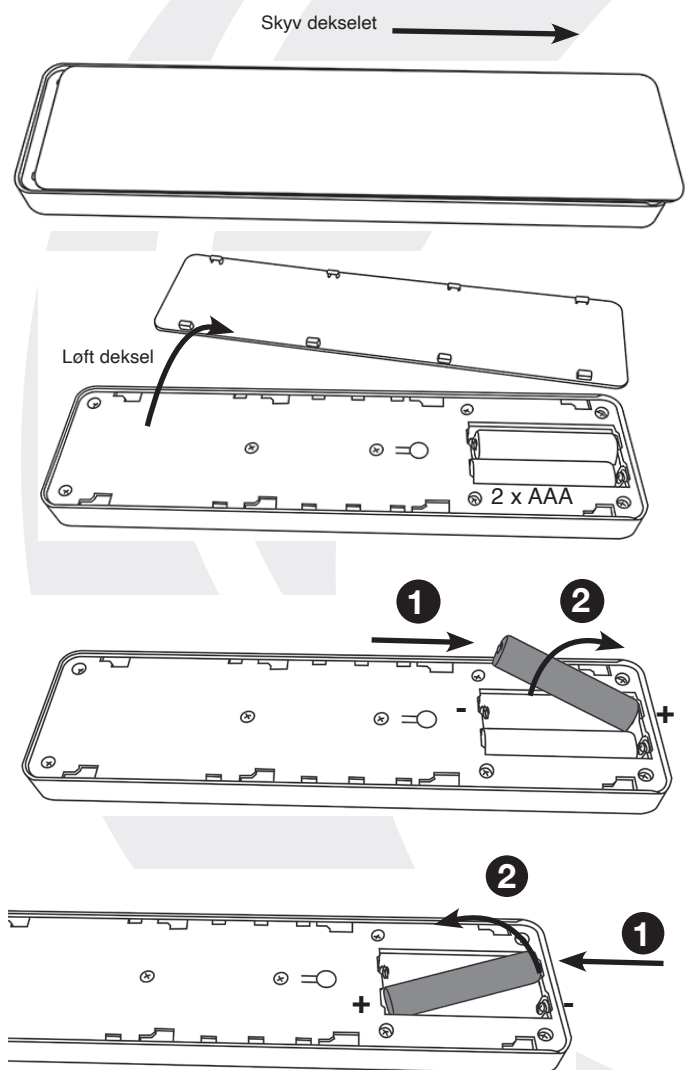
Batteriets strømnivå indikeres øverst til høyre på fjernkontrollens skjerm bilde.

	Batteri fullt	Ingen handling kreves
	Batteri halvfullt	Sørg for at nye batterier er tilgjengelige.
	Batteri tomt	Skift ut batterier umiddelbart

**i** **MERK:** Fjernkontrollen har en batteristatusindikator (øverst i høyre hjørne). Etter en lengre periode med tom visning, vil LED-skjermen slutte å fungere til tross for at håndsettet fremdeles kan sende kommandoer. Erstatt batteriet for å gjenopprette displayet.

### UTSKIFTING AV BATTERI

Ubrukte batterier skal tas ut av apparatet og kastes på en sikker måte.



Forsikre deg om at batteriet i fjernkontrollen er nytt og er satt i korrekt.

Gamle batterier må kasseres på godkjent gjenvinningsstasjon.

Utskifting av batterier er anbefalt etter 1 år. Fjernkontrollen bruker 1.5V alkaliske AAA batterier.

Sørg for riktig polaritet. Ikke kortslut terminalene.

Ikke prøv å lade opp ikke-oppladbare batterier.

Ta ut oppladbare batterier før du lader den.

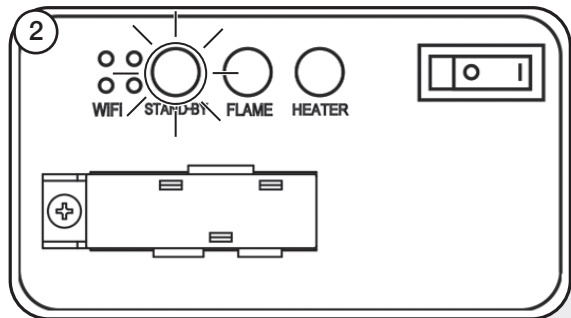
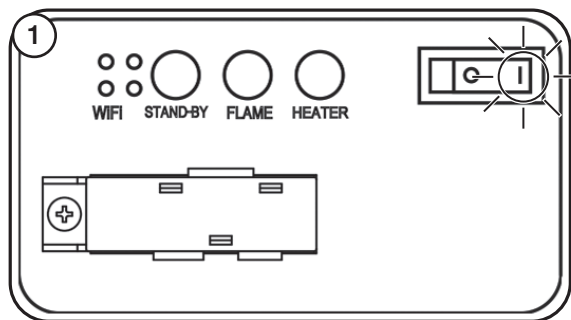
Ikke bland gamle og nye batterier.

Ta ut batteriene hvis apparatet ikke skal brukes i lange perioder. Å skifte ut batteriene vil ikke påvirke innstillingene av tidsbryter-modus, men det kan hende at klokken må stilles.

**i** **MERK:** For å bruke både fjernkontrollen og manuelle funksjoner må den manuelle på/av-bryteren stå i posisjon 'PÅ'. For å unngå at produktet blir for varmt, er det en 10 sekunders forsinkelse når du skrur på varmeapparatet, og en 10 sekunders forsinkelse når du skrur av vifteovnen.

Den manuelle knappen kontrollerer grunnleggende funksjoner, ikke en hel serie med kontroller. Bruk fjernkontrollen for å utføre alle funksjonene.

## TILBAKESTILLINGSKNAPP FOR FJERNKONTROLL

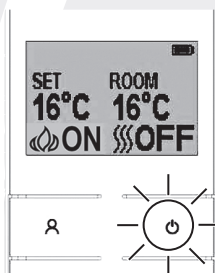


3 sekunder



2 pip

3



1 pip

## SIGNALKODE

Fjernkontrollen virker via radiosignal. Den håndholdte senderen er konfigurert på fabrikk med en unik signalkode.

Dersom håndkontrollen mister signal eller behøves å skiftes ut, se instruksjoner for vedlikehold for mer detaljer.

## RENGJØRING

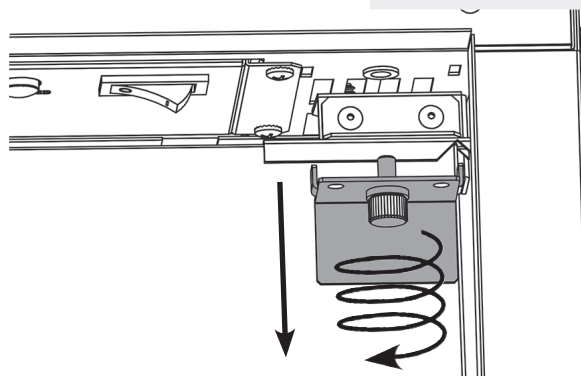
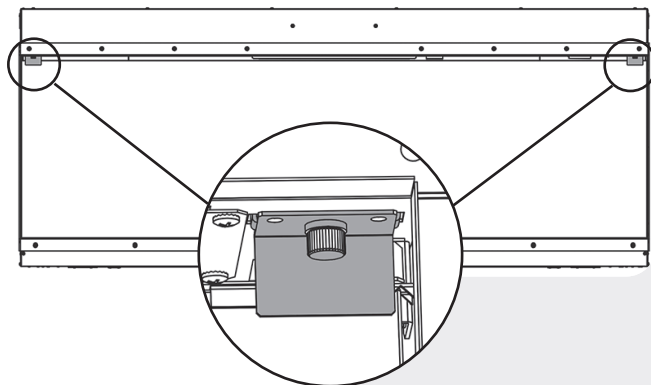
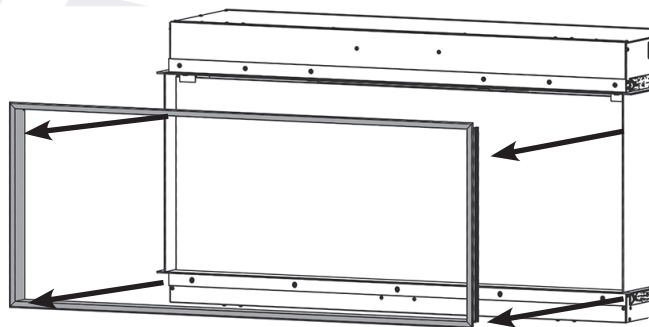
TA ALLTID STØPSLET UT AV STRØMKONTAKTEN FØR DU GJØR RENT ELLER UTFØRER NOEN FORMER FOR VEDLIKEHOLD.

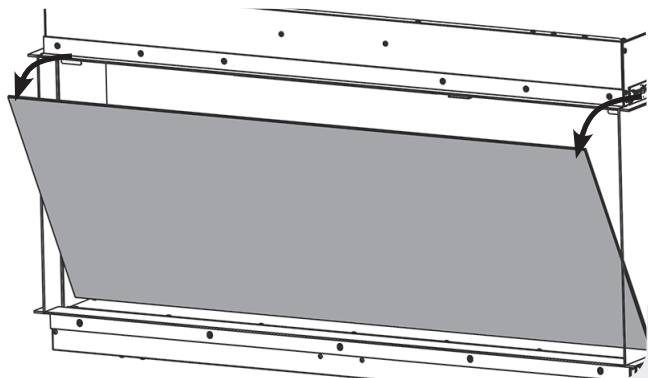
### RENGJØRING AV FRONTER

Tørk av glasspanelet med en fuktig klut og poler med en lufri støvfillle.

**Forsiktig! Ikke bruk rengjøringsmidler med slipemiddel på glasspanelet. Ikke sprut væske direkte på noen av overflatene på enheten.**

### RENGJØRING AV BRENSELEFFEKTER





Fjern og rengjør brenseeffekten for å fjerne alle støvpartikler. Eller rengjør med en lofri støvfille.

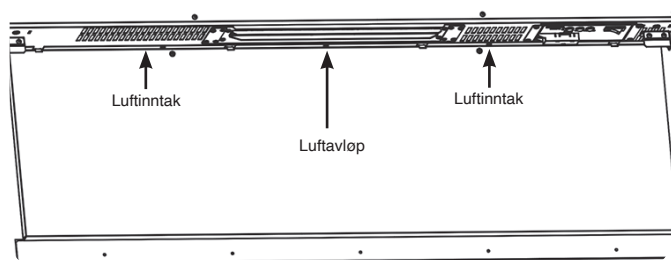
**Påse at effekten er tørr før den settes tilbake.**

**Erstatt brenseeffekten se Monteringsveiledning for layout.**

Sett tilbake i omvendt rekkefølge.

## RENGJØRING AV LUFTINNTAK

Rengjør ristene ved inntaket og avløpet jevnlig med en myk klut eller munnstykket på en støvsuge.



**Oppsamlet støv kan hindre effektiv ytelse på viften og føre til aktivering av termisk sikringsautoma.**

Hold området rundt peisen rent og fritt for lo, støv eller hår fra kjæledyr.

Opphopning av støv og lignende kan særlig oppstå rundt varmeområdet på toppen av apparatet. Vær spesielt nøye med å holde dette området fritt for slike partikler, rengjør jevnlig for å hindre oppsamling.

## INSTALLASJON

### GENERELL INFORMASJON

#### NØDVENDIG VERKTØY

En skrutrekker, vaterpass, sag og drill trengs.

#### UTPAKKING AV DEN ELEKTRISKE PEISEN

**ADVARSEL! IKKE bruk denne peisen hvis noen del har vært utsatt for vann.**

Kontakt en kvalifisert tekniker umiddelbart for å inspisere og bytte ut aktuelle deler av det elektriske anlegget dersom det er nødvendig.

Åpne innpakningen forsiktig, og fjern polystyrenet. Ta av plastposen og kast den. Hold plastemballasjen unna barn. Behandle emballasjematerialet på en ansvarlig måte.

Sjekk at alle deler og alt tilbehør er tatt ut før du kvitter deg med emballasjen.

Om nødvendig kan du beholde originalemballasjen for fremtidig transport og/eller lagring.

Test apparatet før installasjon.

Peisen bør plasseres nært en egnet strømkontakt. En utvidelse kan kjøres fra en eksisterende stikkontakt, men dette må utføres av en kvalifisert elektriker.

Strømkontakten skal være lett tilgjengelig slik at strømmen kan kobles fra når peisen er montert.

Hvis strømledningen er skadet, må den repareres av produsenten, dens autorisert servicesenter eller profesjonell person.

Sørg for at gardiner og møbler ikke er plassert nær den valgte posisjon, da dette ville skape en potensiell brannfare eller blokkere varmeapparat utløpskanaler.

**ADVARSEL! HOLD ALLE TYPER BRENNBARE MATERIALER MINST 1 M UNNA FRONTEN OG SIDENE PÅ DEN ELEKTRISKE PEISEN.**

### MONTERE PEISEN

#### PLASSERING AV FUSION

Din nye Fusion kan faktisk installeres hvor som helst i hjemmet ditt. Når du velger plassering, er det imidlertid viktig at generelle instruksjoner følges.

Varmeapparatet bør ideelt sett monteres i/på en intern flat vegg konstruert av enten stuarbeid og gipsplateblokk/murstein. Festelementene som følger med må KUN brukes på murvegger. Vennligst se til at egnede fester brukes ved innfesting i en hul vegg eller spesialbygget hulrom.

**MERK:** Dette apparatet er ikke egnet for montering på hulmur, på baksiden av en yttervegg, åpen skorstein eller åpninger som kan være fuktige eller trekkfulle, med mindre det tas tilstrekkelige forholdsregler for å unngå at apparatet kommer i kontakt med fuktighet eller overdreven trekk. I slike installasjoner bør eventuelle eksisterende skorstein og/eller spesialbygde luftåpninger være helt forseglet.

For best resultat, installer vekk fra direkte sollys.

Apparatet bør monteres i en tilpasset ramme av reisverk. Vennligst se til at egnede fester brukes ved innfesting i en hul vegg.

Pass på at det ikke er noen rør eller ledninger bak området som skal bores eller kuttet.

Pass alltid på at apparatet er tilstrekkelig underbygget og sitter på en fast struktur ved montering over gulvnivå.

## SERVICEKRAV



**UNDER VEDLIKEHOLD AV DETTE APPARATET KAN DET VÆRE NØDVENDIG Å KUTTE BUNTEBÅND FOR Å KOMME TIL OG FJERNE NOEN DELER. DISSE MÅ ERSTATTES NÅR APPARATET SETTES SAMMEN IGJEN.**

**KUN KVALIFISER PERSONELL MÅ UTFØRE VEDLIKEHOLD PÅ DENNE PEISEN. FØR DET GJØRES ARBEID PÅ APPARATET: SLÅ AV APPARATET OG TA UT STRØMFORSYNINGEN SLIK AT DET IKKE FINNES NOE STRØM TIL APPARATET.**

Vent minst 10 minutter til peisen har kjølt seg ned.

### Bytte av batteri på fjernkontroll

Bytt ut med et AAA-batteri. Forsikre deg om at batteriet er montert korrekt i fjernkontrollen.



**MERK: Fjernkontrollen har en batteristatusindikator (øverst i høyre hjørne). Etter en lengre periode med tom visning, vil LED-skjermen slutte å fungere til tross for at håndsettet fremdeles kan sende kommandoer. Erstatt batteriet for å gjenopprette displayet.**

### Vedlikehold av motorer

Motoren til viften og flammeeffekten er forhåndssmurt for å forlenge lagrenes levetid og trenger derfor ikke smøres. Periodisk rengjøring/støvsuging av viften/peisen anbefales imidlertid.

### Tilbakestilling av termisk sikringsautomat

Peisen er utstyrt med en elektronisk sikkerhetskontroll (E.S.). Dette er en sikkerhetsanordning som slår av flammen dersom peisen av en eller annen grunn blir overopphetet, f.eks. ved tildekking.

Dersom peisen slutter å fungere mens flammeeffekten fortsetter som normalt, betyr det at E.S.-kontrollen er i drift. E.S.-kontrollen kan bare tilbakestilles etter at peisen er nedkjølt.

### Tilbakestill E.S.:

Slå av peisen (med den manuelle Av/På-bryteren) og la peisen stå i 120 minutter.

Fjern eventuelle hindringer i avløpet for viftevarmeren eller andre indre deler.

Slå på peisen, og E.S.-kontrollen vil tilbakestilles. Forsikre deg om at peisen fungerer korrekt. Dersom E.S.-kontrollen slår inn igjen, bør peisen sjekkes av en fagkyndig elektriker.

GB: TECHNICAL SPECIFICATION

FR: SPÉCIFICATIONS TECHNIQUES

DE: TECHNISCHE DATEN

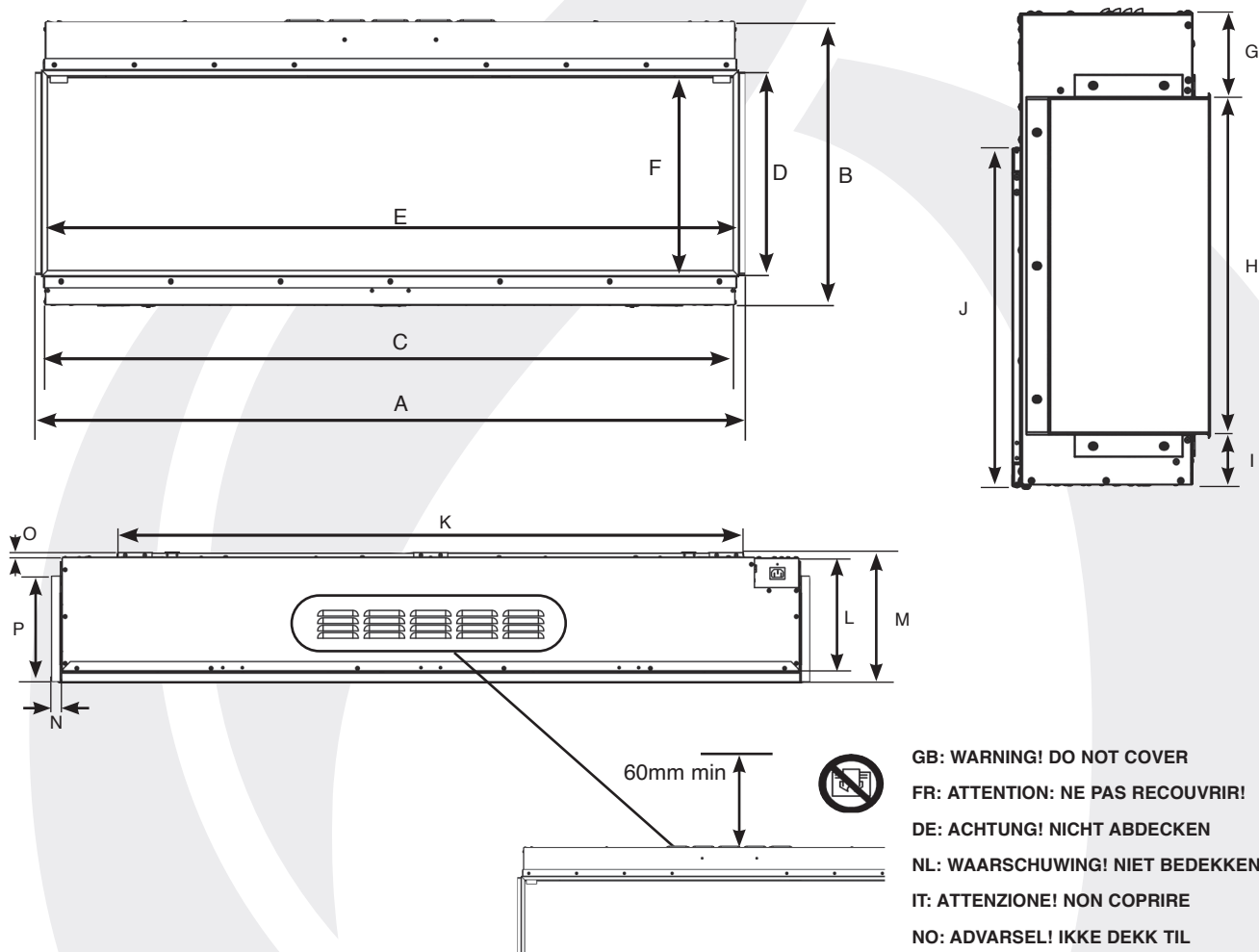
NL: TECHNISCHE SPECIFICATIES

IT: SPECIFICHE TECNICHE

NO: TEKNISKE SPESIFIKASJONER

## FUSION

228-275



MODEL (MM)	A	B	C	D	E	F	G	H	I	J	K	L	M	N	O	P
Fusion 150RW	1554	628	1518	443	1500	425	111	443	66.5	445	1284	232	263	21	11	215



**GB: TECHNICAL SPECIFICATION**

**FR: SPÉCIFICATIONS TECHNIQUES**

**DE: TECHNISCHE DATEN**

**NL: TECHNISCHE SPECIFICATIES**

**IT: SPECIFICHE TECNICHE**

**NO: TEKNISKE SPESIFIKASJONER**

Fusion 150RW	1830 - 2000 Watts
--------------	-------------------

**GB:** A 230-240VAC 13 Amp 50Hz supply is required  
 Maximum power consumption:  
 A 1.8 metre lead with plug containing a BS1362 13A fuse is supplied. Only use a BS1362 13A fuse with this appliance.  
 2 x Remote control handset battery (AAA).

**FR:** Une alimentation électrique de 230-240VAC, 50Hz est requise.  
 La consommation électrique maximale:  
 L'appareil est fourni avec un câble électrique de 1,80 m de long équipé d'une prise de courant.  
 2 x Pile de la commande à distance (AAA).

**DE:** Es ist eine Stromversorgung mit 230-240 VAC 50 Hz erforderlich  
 Maximale Leistungsaufnahme:  
 Ein Kabel mit 1,8 m Länge sowie Stecker.  
 2 x Batterie für die Fernbedienung (AAA).

**NL:** Een 230-240VAC, 13A, 50 Hz voeding is vereist.  
 Maximaal energieverbruik:  
 Er wordt een kabel van 1.8 meter met een stekker  
 2 x Batterij afstandsbediening (AAA).

**IT:** È necessaria un'alimentazione da 230-240VAC, 50Hz  
 Consumo di corrente massimo:  
 Viene fornito un cavo di 1,8 m con una spina.  
 2 x Batteria del telecomando (AAA).

**NO:** Det kreves 230-240VAC 50Hz strømtilførsel  
 Maksimum strømforbruk:  
 En 1,8 m lang ledning med støpsel.  
 2 x Batteri til fjernkontrol (AAA).

**GB: PACKING CHECKLIST**

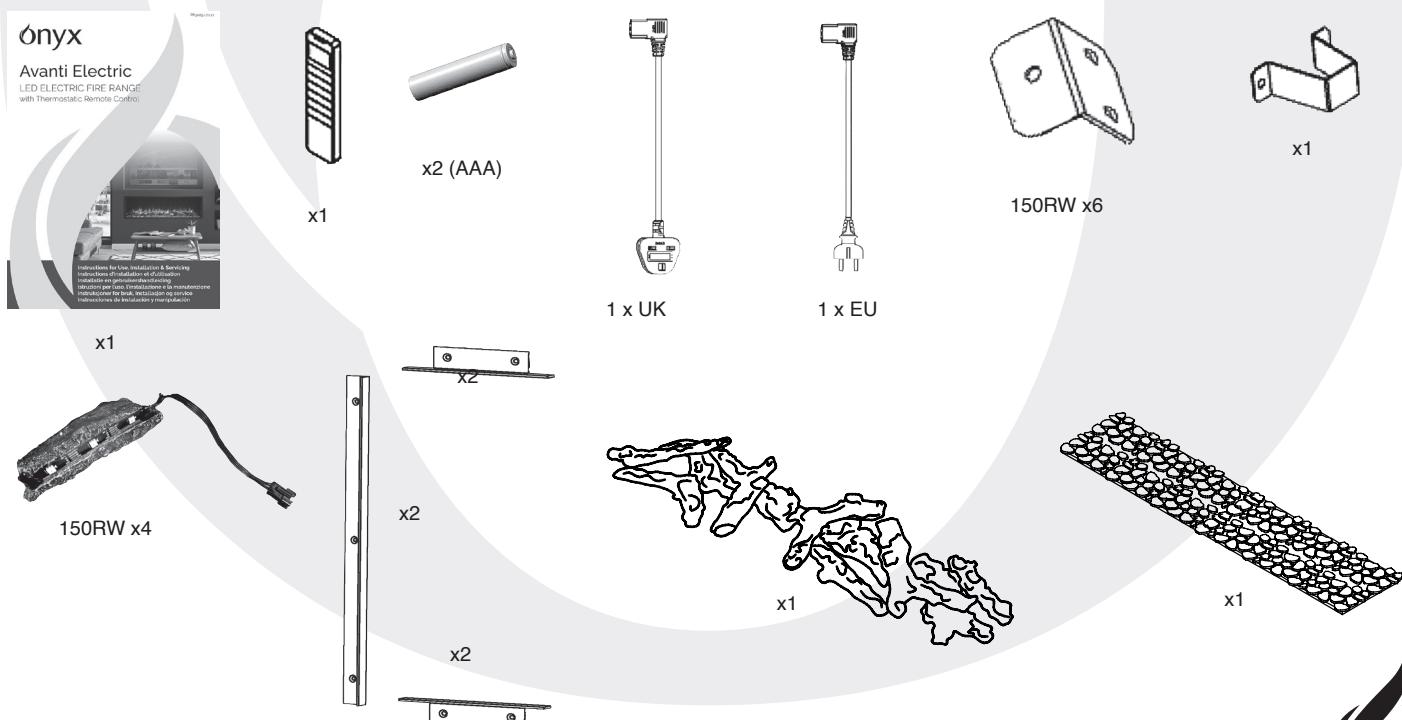
**FR: LISTE DE VÉRIFICATION DU CONDITIONNEMENT**

**DE: VERPACKUNGSPRÜFLISTE**

**NL: PAKLIJST**

**IT: ELENCO DI IMBALLAGGIO**

**NO: PAKKSEDDEL OG SJEKKLISTE**



GB: CONTROL SYSTEM TECHNICAL DATA

FR: DONNÉES TECHNIQUES DU SYSTÈME DE COMMANDE

DE: TECHNISCHE DATEN

NL: CONTROLESYSTEEM TECHNISCHE DATA

IT: DATI TECNICI DEL SISTEMA DI CONTROLLO

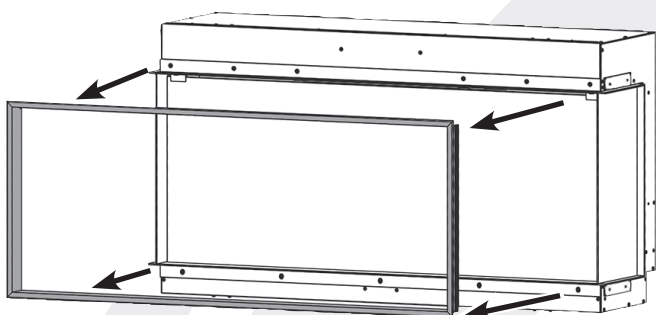
NO: KONTROLLSYSTEM TEKNISK DATA

	GB: Main Control Board FR: Tableau de commande principal DE: Hauptsteuerplatine NL: Hoofdbedieningstafel IT: Pannello di controllo principale NO: Hoved-kontrollkort	GB: Remote Receiver Board FR: Tableau du récepteur de la télécommande DE: Empfängerplatine NL: Afstandontvangstafel IT: Scheda ricevitore remoto NO: Fjernmottager-kort	GB: Remote Control FR: Télécommande DE: Fernbedienung NL: Afstandsbediening IT: Telecomando NO: Fjernkontroll	GB: Wi-Fi Receiver Board FR: Tableau du récepteur du Wi-Fi DE: Wi-Fi NL: Wi-Fi IT: Wi-Fi NO: Wi-Fi
Hardware	RC01-078B00 V0	RF290B V1.2	RF290A-TX-V1.3	WBR3 V1.0
Software	RC01-078B01 V0	-	RCS19-V2.4.1	-
GB: Frequency FR: Fréquence DE: Frequenz NL: Frequentie IT: Frequenza NO: Frekvens	-	FSK 433.92MHz	FSK 433. 92MHz	2.4GHz
GB: Maximum Transmit Power FR: Puissance de transmission maximum DE: Maximale Sendeleistung NL: Maximale zendkracht IT: Massima potenza di trasmissione NO: Maksimal sendestrøm	10mW	10mW	10mW	10mW

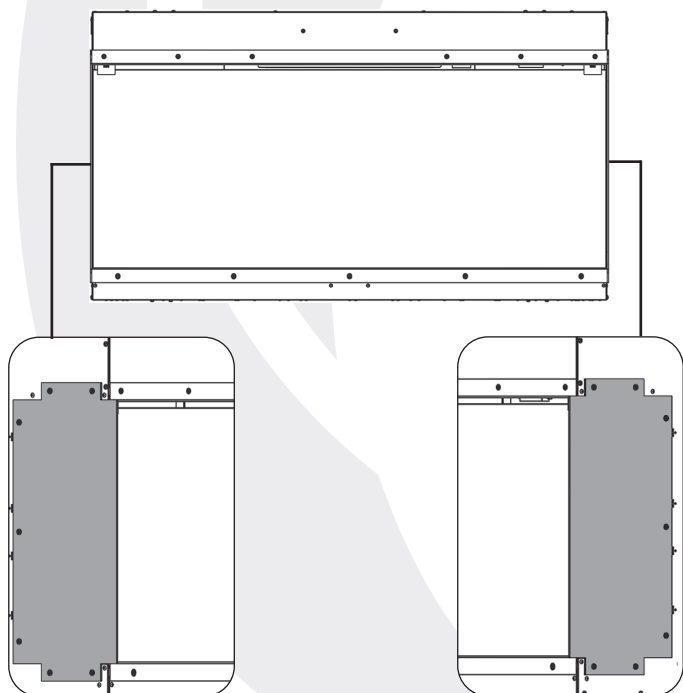
GB: PRE-INSTALLATION  
FR: PRÉ-INSTALLATION  
DE: VOR DEM EINBAU

NL: VOORBEREIDING VOOR  
INSTALLATIE  
IT: PRE-INSTALLAZIONE  
NO: FØR INSTALLERING

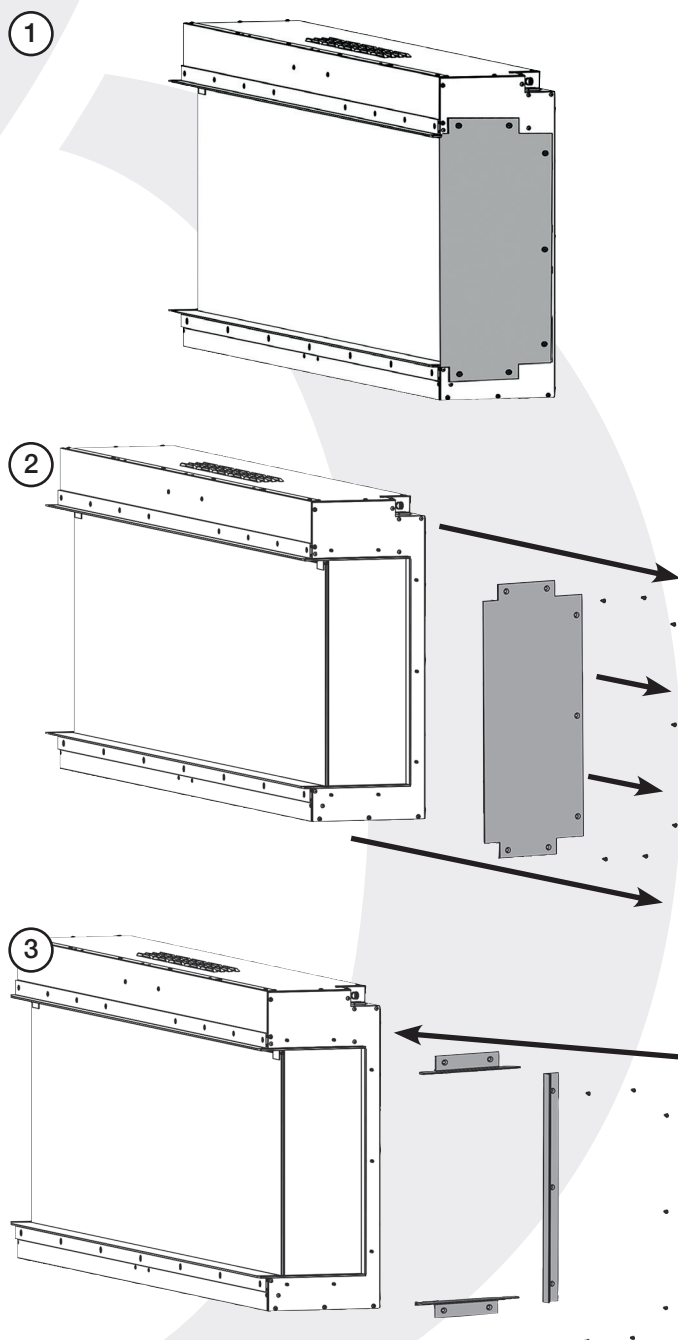
GB: DECORATIVE FRAME  
FR: CADRE DÉCORATIF  
DE: ZIERRAHMEN  
NL: SIERFRAME  
IT: CORNICE DECORATIVA  
NO: DEKORATIV RAMME



GB: FRONT VIEWING FACE  
FR: FACE AVANT  
DE: FRONTANSICHT  
NL: VOORAANZICHT  
IT: FACCIA ANTERIORE  
NO: SEIT FORFRA

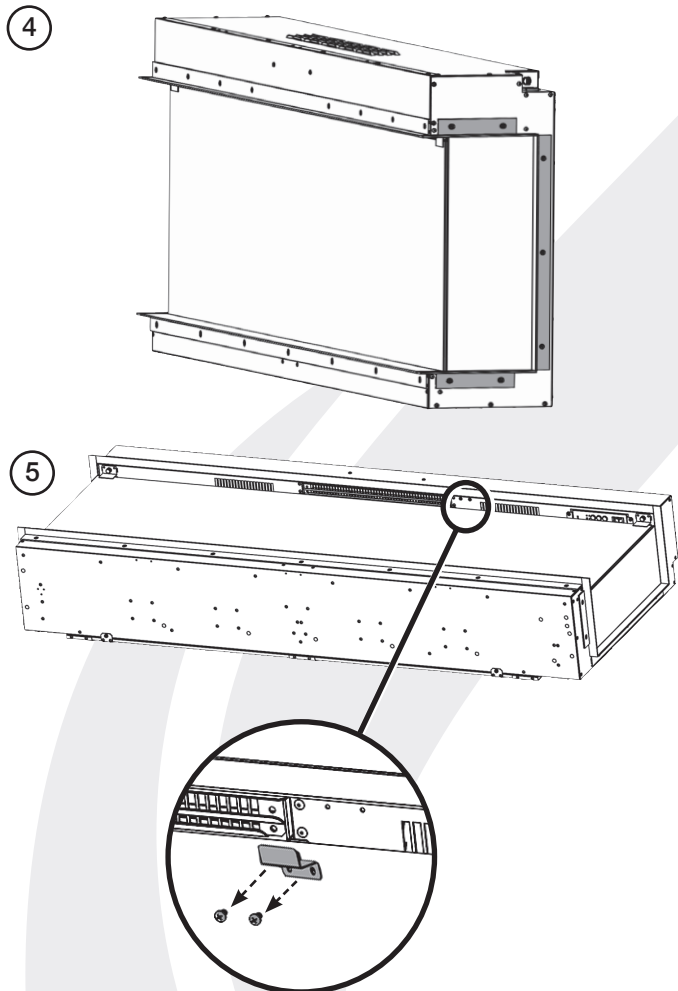


GB: RIGHT VIEWING FACE  
FR: FACE DROITE  
DE: FRONTANSICHT  
NL: RECHTERAANZICHT  
IT: FACCIA POSTERIORE  
NO: SEIT BAKFRA

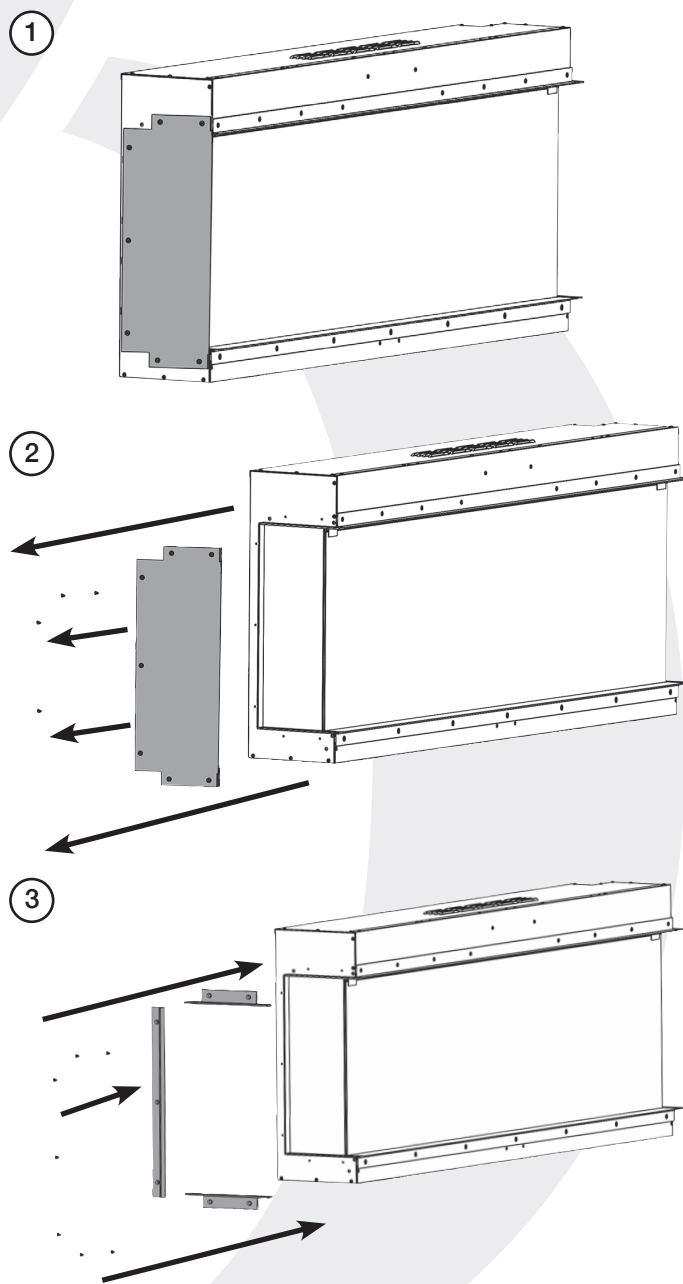


GB: PRE-INSTALLATION  
FR: PRÉ-INSTALLATION  
DE: VOR DEM EINBAU

NL: VOORBEREIDING VOOR  
INSTALLATIE  
IT: PRE-INSTALLAZIONE  
NO: FØR INSTALLERING

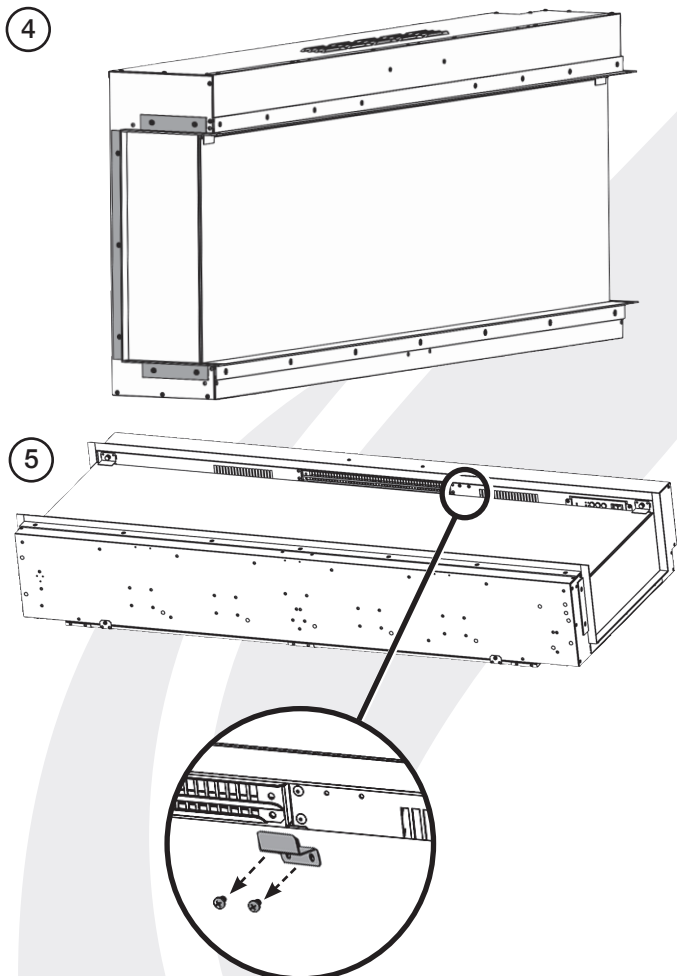


GB: LEFT VIEWING FACE  
FR: FACE GAUCHE  
DE: FRONTANSICHT  
NL: LINKER AANZICHT  
IT: FACCIA SINISTRA  
NO: SETT FRA VENSTRE

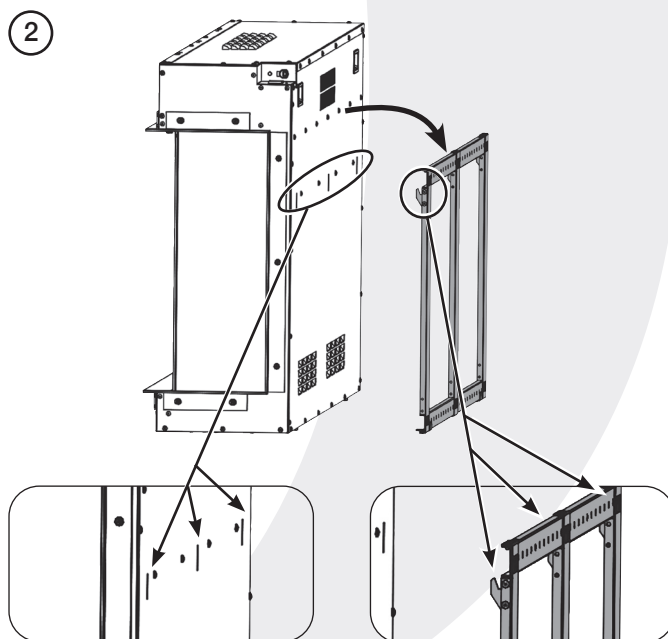
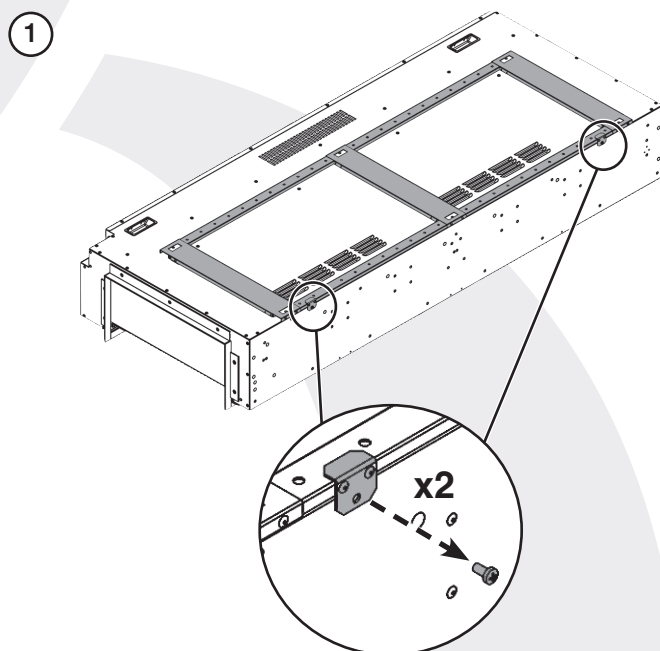


GB: PRE-INSTALLATION  
FR: PRÉ-INSTALLATION  
DE: VOR DEM EINBAU

NL: VOORBEREIDING VOOR  
INSTALLATIE  
IT: PRE-INSTALLAZIONE  
NO: FØR INSTALLERING



GB: MOUNTING BRACKET  
FR: SUPPORT DE MONTAGE  
DE: MONTAGEHALTERUNG  
NL: MONTAGEBEUGEL  
IT: STAFFA DI FISSAGGIO  
NO: MONTERINGSBRACKETT



GB: INSTALLATION

FR: INSTALLATION

DE: EINBAU

NL: INSTALLATIE

IT: INSTALLAZIONE

NO: INSTALLASJON

GB: INSTALLATION METHOD 1

FR: MÉTHODE D'INSTALLATION 1

DE: INSTALLATIONSMETHODE 1

NL: INSTALLATIEMETHODE 1

IT: METODO DI INSTALLAZIONE 1

NO: INSTALLASJONSMETODE 1

GB: INSTALLATION METHOD 2

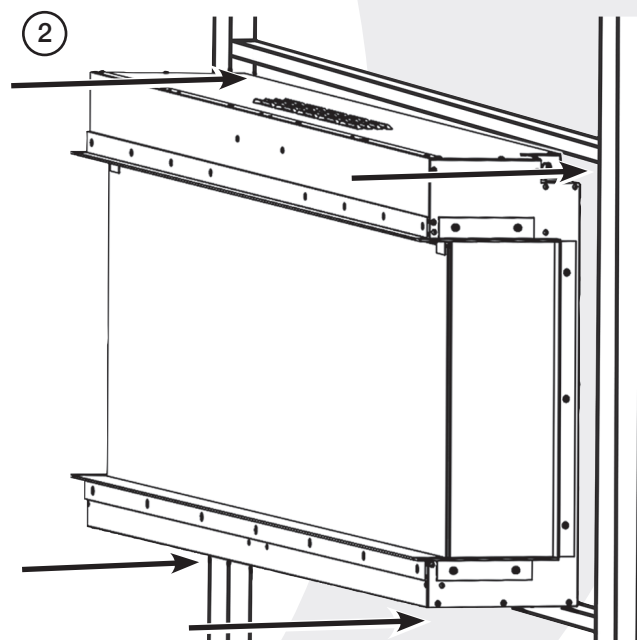
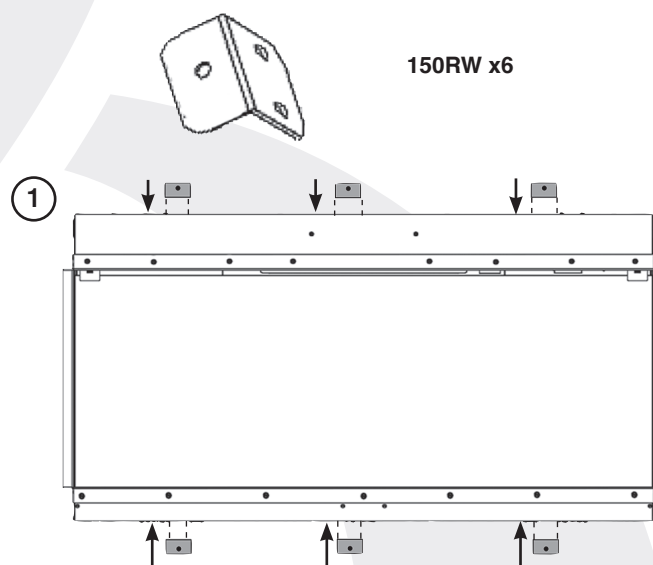
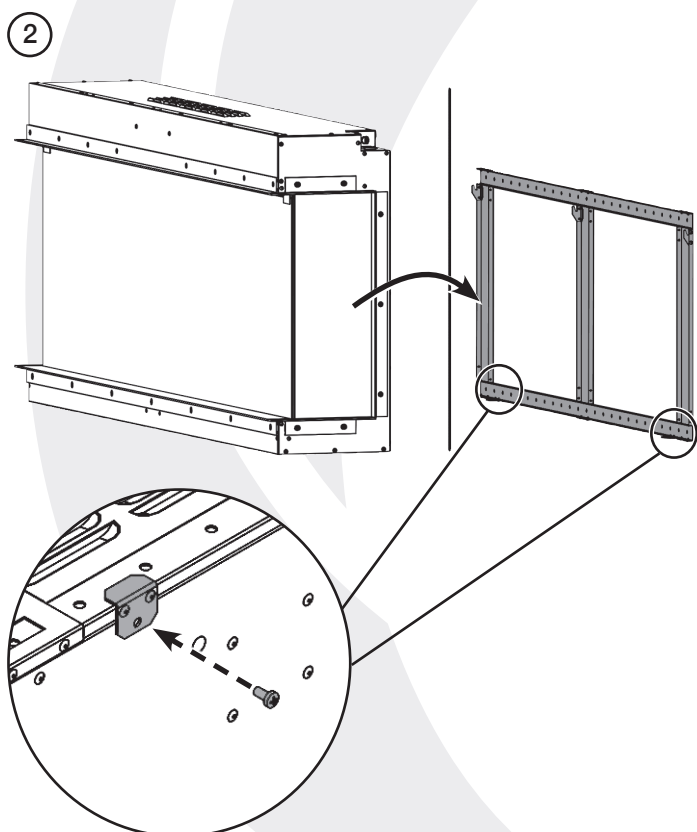
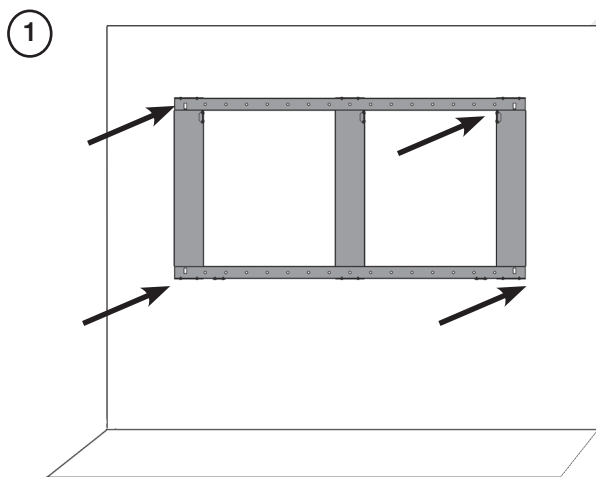
FR: MÉTHODE D'INSTALLATION 2

DE: INSTALLATIONSMETHODE 2

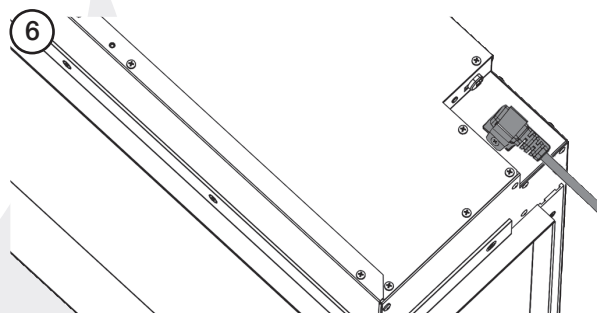
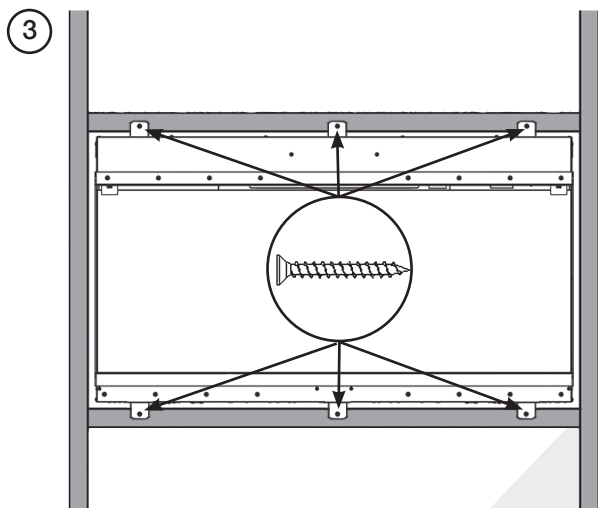
NL: INSTALLATIEMETHODE 2

IT: METODO DI INSTALLAZIONE 2

NO: INSTALLASJONSMETODE 2





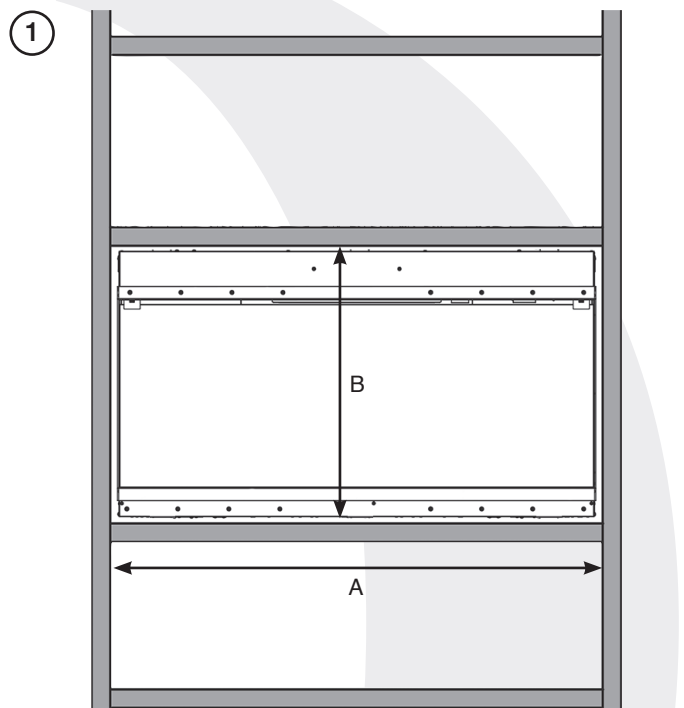
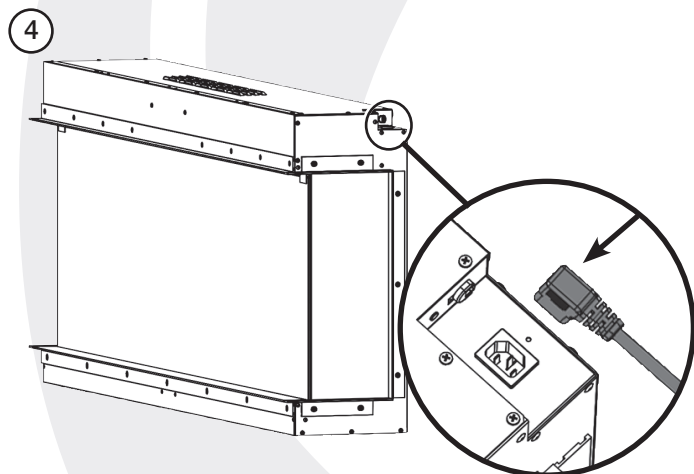


GB: FRONT VIEWING FACE INSTALLATION  
 FR: INSTALLATION DE LA FACE AVANT  
 DE: FRONTANSICHT  
 NL: INSTALLATIE FRONTHAARD  
 IT: INSTALLAZIONE FACCIA ANTERIORE  
 NO: INSTALLASJON SETT FORFRA

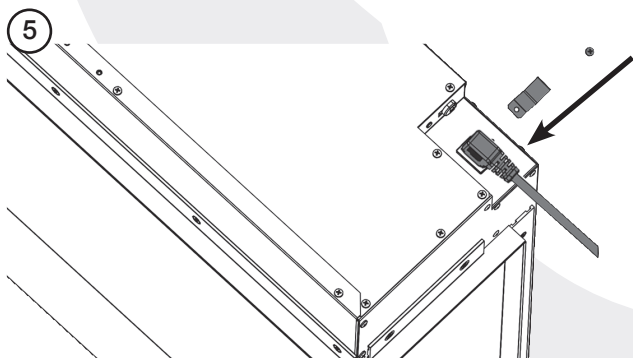
GB: ALL METHODS  
 FR: TOUTES MÉTHODES  
 DE: ALLE METHODEN  
 NL: ALLE METHODES  
 IT: TUTTI I METODI  
 NO: ALLE METODER



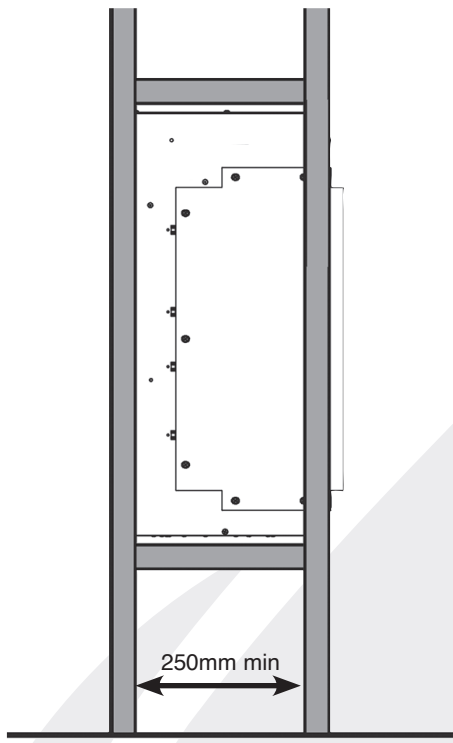
GB: WARNING! DO NOT COVER  
 FR: ATTENTION: NE PAS RECOUVRIR!  
 DE: ACHTUNG! NICHT ABDECKEN  
 NL: WAARSCHUWING! NIET BEDEKKEN  
 IT: ATTENZIONE! NON COPRIRE  
 NO: ADVARSEL! IKKE DEKK TIL



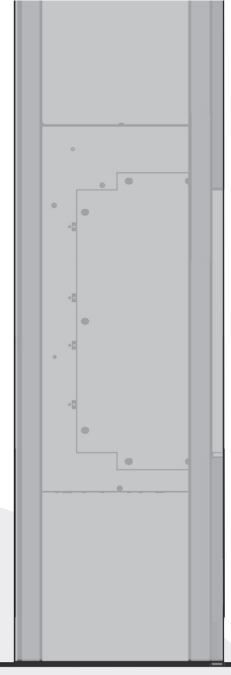
FUSION	A	B
150RW	1538	635



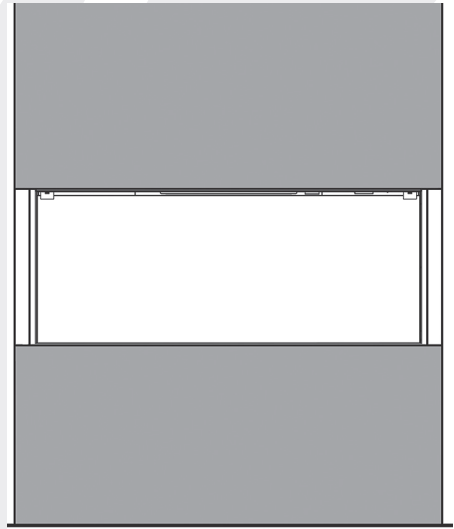
2



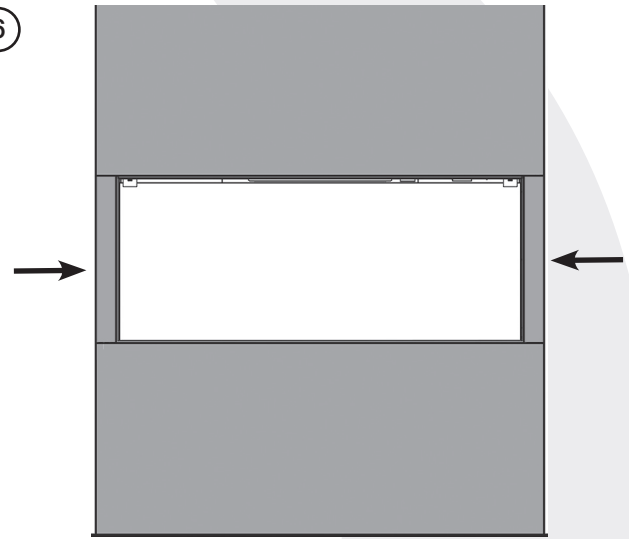
5



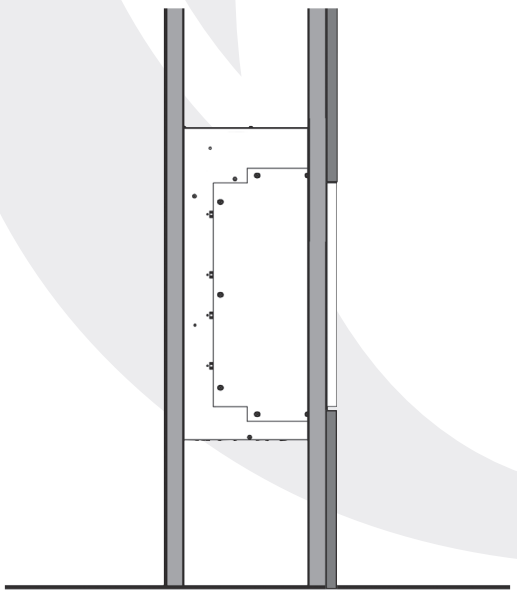
3



6



4



GB: TWO SIDED VIEW INSTALLATION

FR: INSTALLATION DE DEUX CÔTÉS

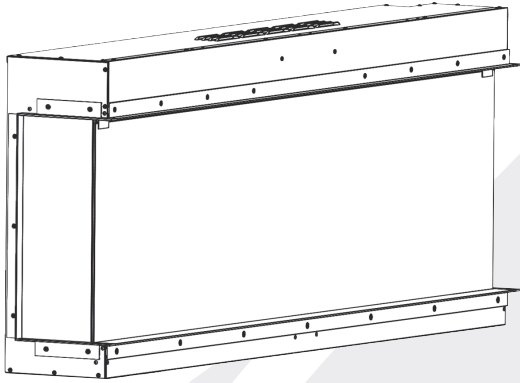
DE: INSTALLATION BEI ZWEIFSEITIGER ANSICHTSFLÄCHE

NL: INSTALLATIE TWEEZIJDIGE HAARD

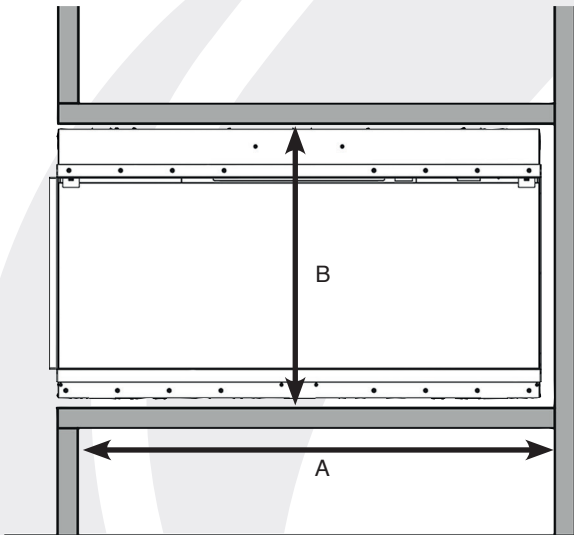
IT: INSTALLAZIONE VISTA DUE LATI

NO: INSTALLASJON SETT FRA TO SIDER

1

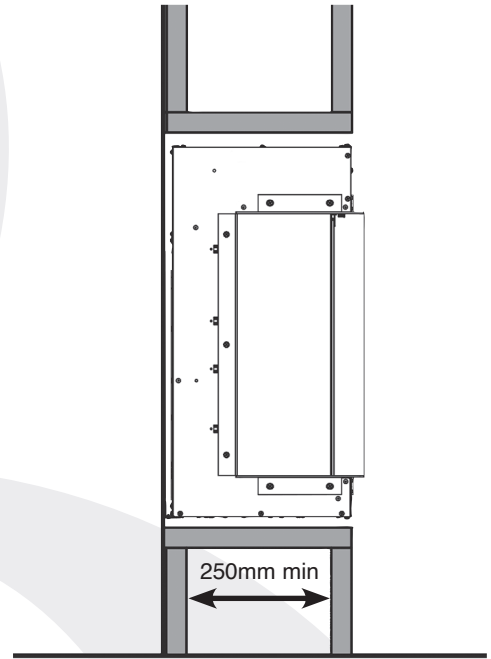


2

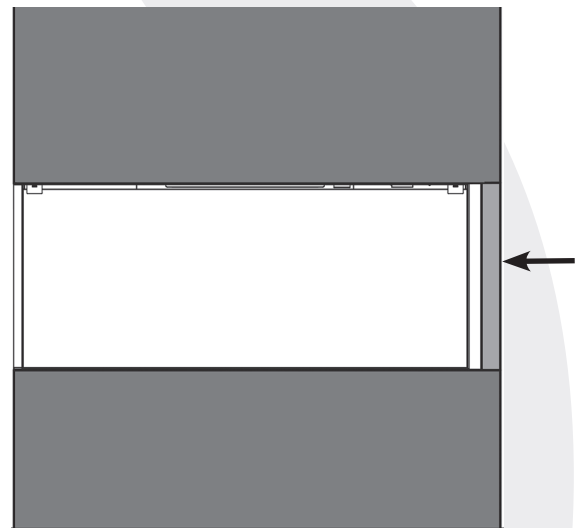


FUSION	A	B
150RW	1528	635

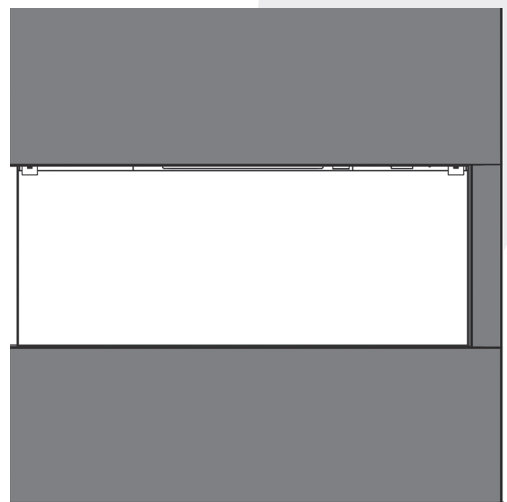
3



4

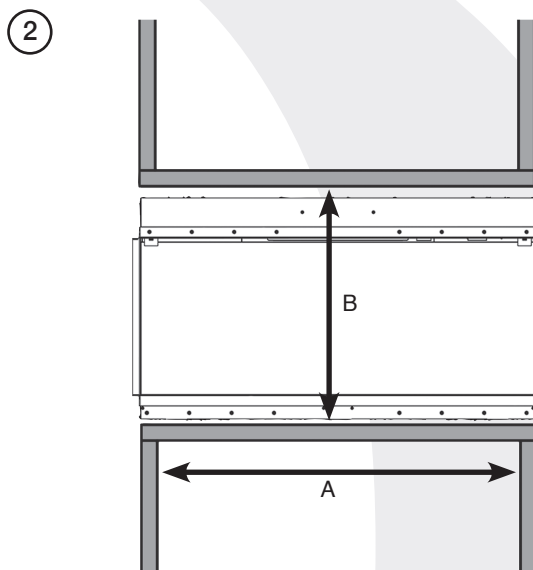
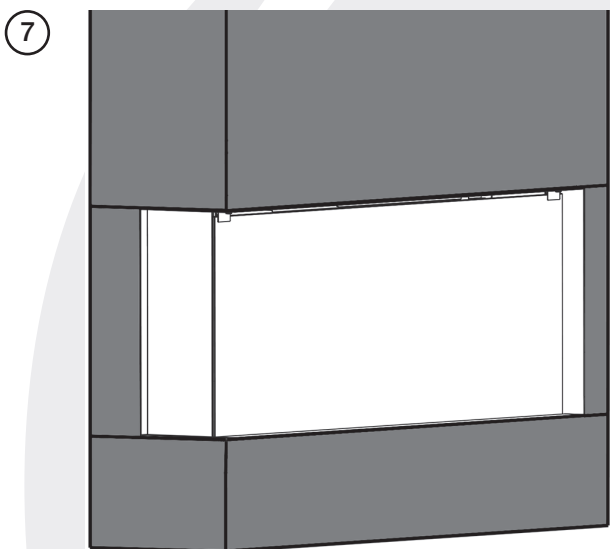
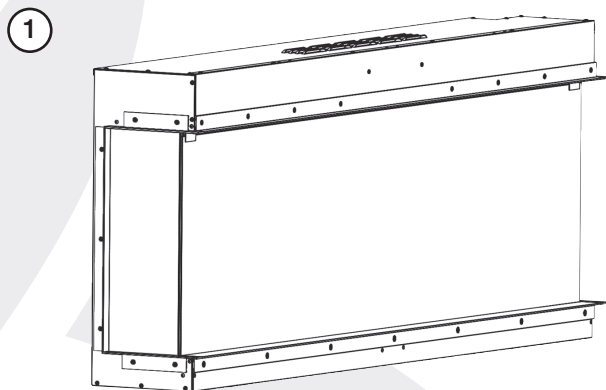
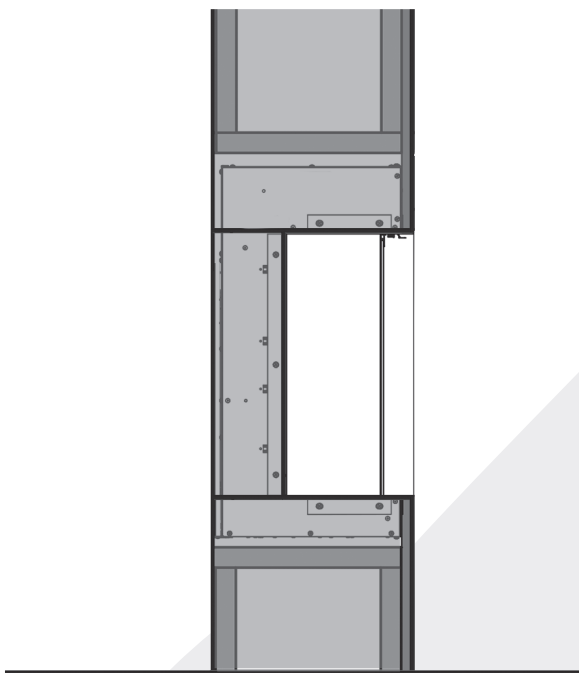


5



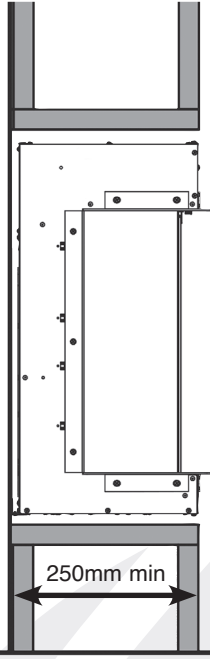
# onyx

- ⑥ **GB: THREE-SIDED VIEW INSTALLATION**  
**FR: INSTALLATION DE TROIS CÔTÉS**  
**DE: FRONTANSICHT**  
**NL: INSTALLATIE DRIEZIJDE HAARD**  
**IT: INSTALLAZIONE VISTA TRE LATI**  
**NO: INSTALLASJON SEIT FRA TRE SIDER**

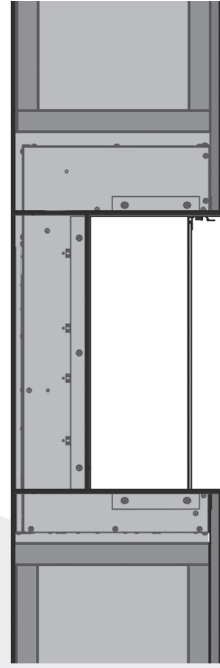


FUSION	A	B
150RW	1530	635

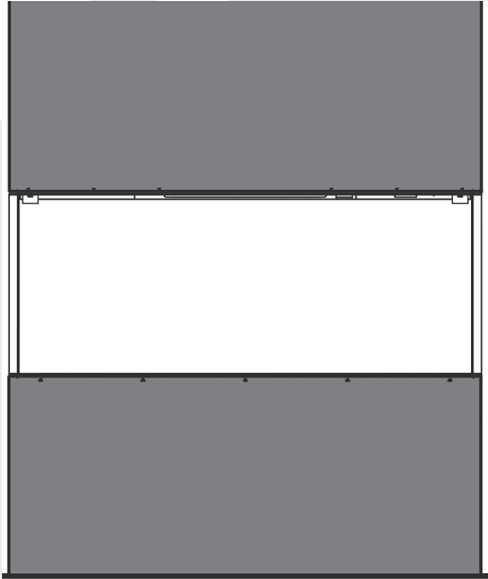
3



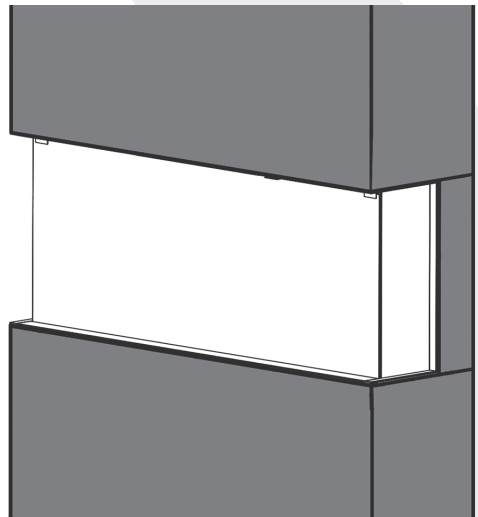
5



4



6



GB: ACCESSING THE FUEL BED

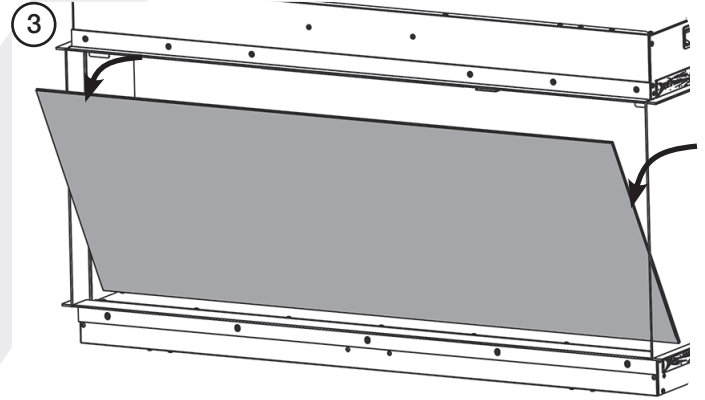
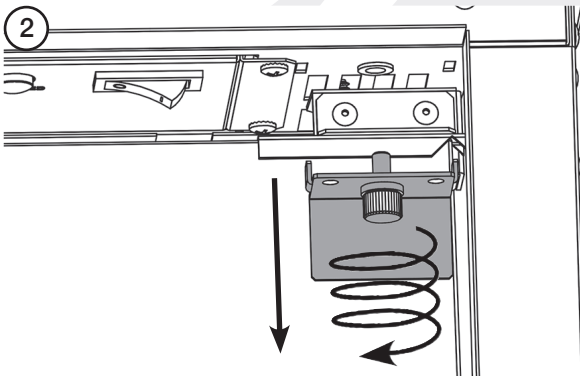
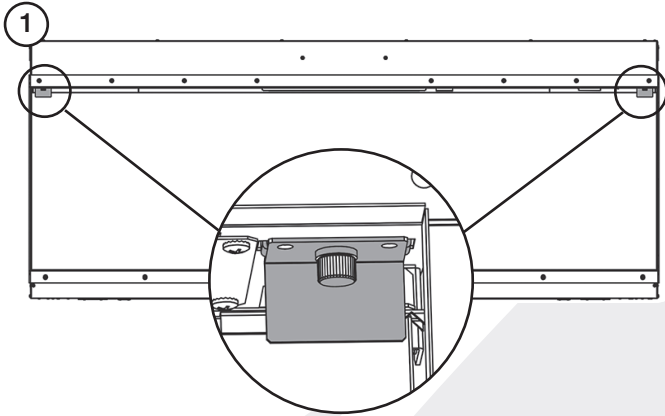
FR: ACCÈS AU LIT DE COMBUSTIBLE

DE: OPTIONALE LED-STIMMUNGSBELEUCHTUNG

NL: TOEGANG TOT HET BRANDSTOFBED

IT: ACCESSO AL CROGIOLO DI COMBUSTIONE

NO: TILGANG TIL BRENNKAMMERET





GB: LOG SET - LOG LAYOUT

FR: JEU DE BÛCHES - AGENCEMENT DES BÛCHES

DE: HOLZSCHEIT-SET - ANORDNUNG DER  
HOLZSCHEITE

NL: BLOKKEN GEPLAATST - BLOKKEN-LAYOUT

IT: SET DI CEPII - SCHEMA DEI CEPII

NO: KUBBESETT - KUBBEOPPSETT



A



B



C



D



E



F



G



H



J x2



K x6



L x3



M x2



N x2



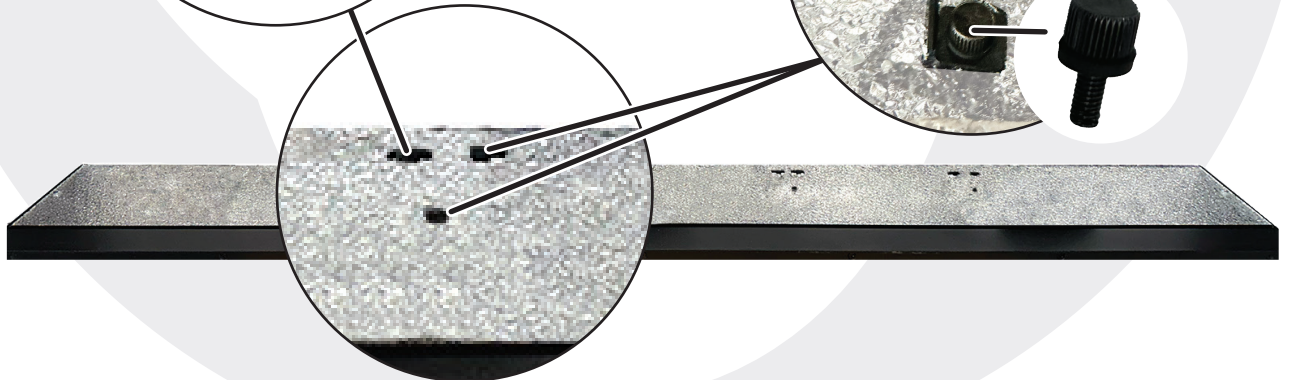
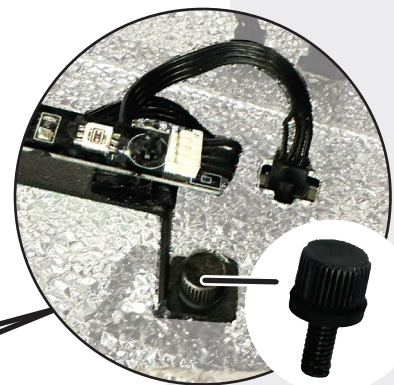
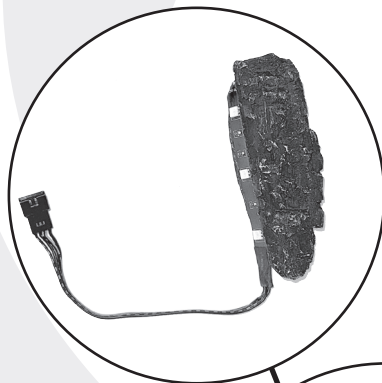
i x4



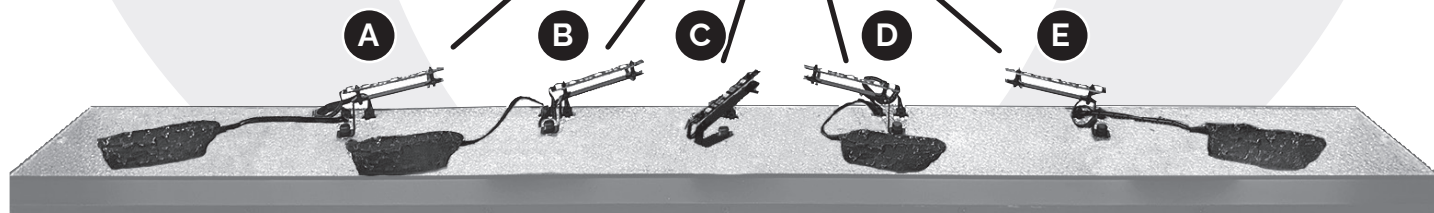
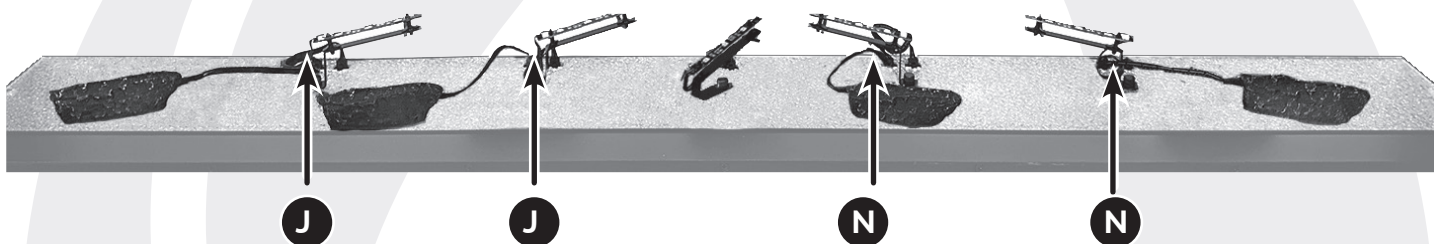
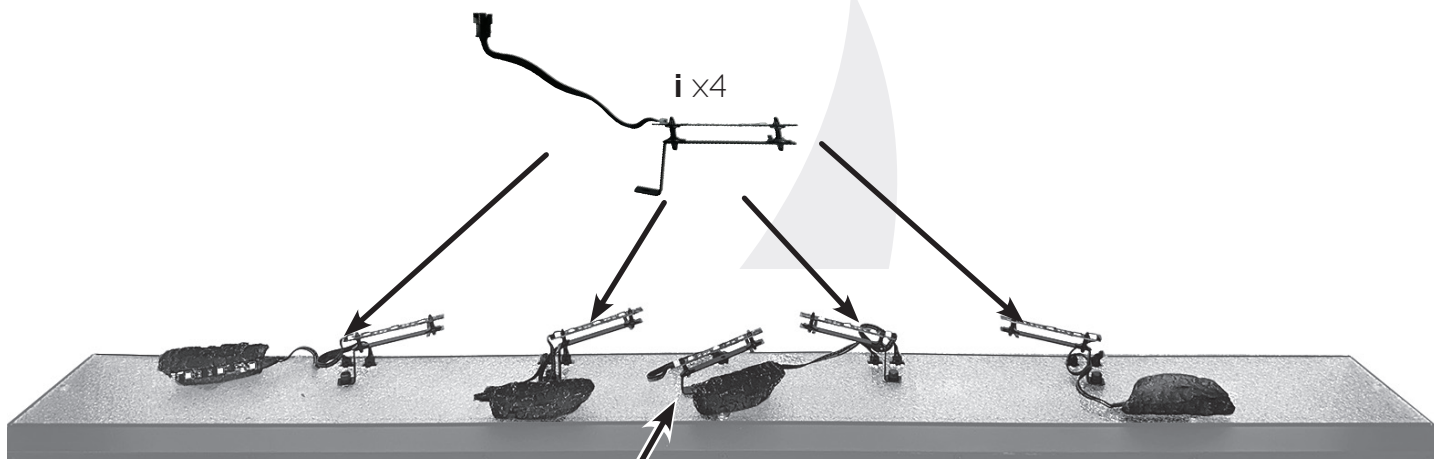
ii x1



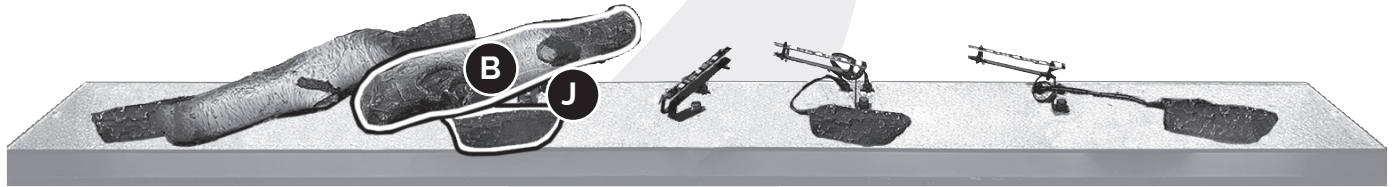
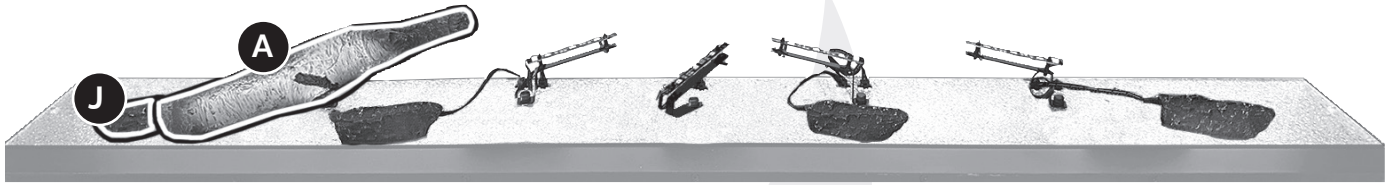
x5



# onyx

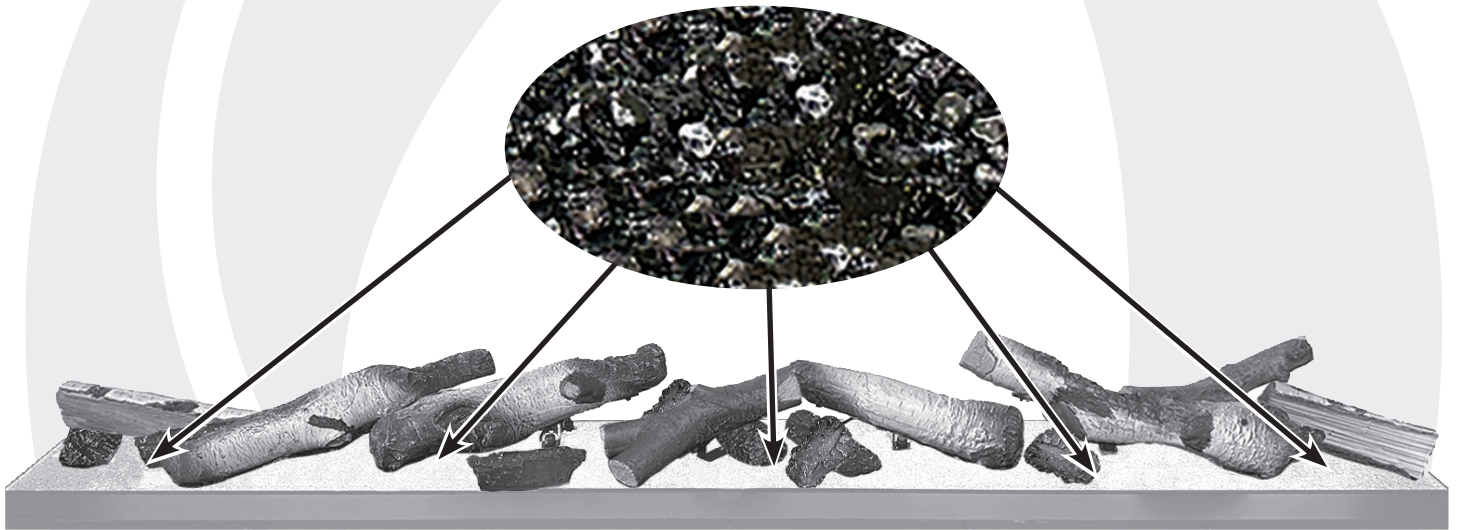


# onyx





# Onyx



**GB: INFORMATION REQUIREMENT FOR ELECTRIC LOCAL SPACE HEATERS**  
**FR: INFORMATIONS À FOURNIR POUR UN APPAREIL DE CHAUFFAGE ÉLECTRIQUE LOCALISÉ**  
**DE: TECHNISCHE INFORMATIONEN FÜR ELEKTRISCHE RAUMHEIZGERÄTE**  
**NL: INFORMATIE-EISEN VOOR ELEKTRISCHE TOESTELLEN VOOR LOKALE RUIMTEVERWARMING**  
**IT: INFORMAZIONI OBBLIGATORIE PER GLI APPARECCHI PER IL RISCALDAMENTO D'AMBIENTE LOCALE ELETTRICI**

Model Modèle Modell Modello Modell	Fusion 150RW		
Heat Output Puissance calorifique Heizleistung Warmteafgifte Potenza termica	Nominal Heat Output Puissance calorifique nominale Nennwärmeleistung Nominale warmteafgifte Potenza termica nominale	$P_{nom}$	2000W
	Minimum Heat Output Puissance calorifique minimale Mindestwärmeleistung Minimale warmteafgifte Potenza termica minima (indicativa)	$P_{min}$	1000W
	Maximum Continuous Heat Output Sortie de chauffage constante maximum Maximale kontinuierliche Wärmeleistung Maximale continue warmteproductie Massima potenza termica continua	$P_{max, c}$	2000W

Auxiliary Electricity Consumption Consommation électrique auxiliaire Hilfstromverbrauch Aanvullend elektriciteitsverbruik Consumo ausiliarrio di energia elettrica	At Nominal Heat Output À la puissance calorifique nominale Bei Nennwärmeleistung Bij nominale warmteafgifte Alla potenza termica nominale	$e_{lmax}$	12.5W
	At Minimum Heat Output À la puissance calorifique minimale Bei Mindestwärmeleistung Bij minimale warmteafgifte Alla potenza termica minima	$e_{lmin}$	12W
	In Standby Mode En mode veille Im Standby-Modus In stand-by-modus In modo stand-by	$e_{l_{sb}}$	3W

**Type of heat input, for electric storage local space heaters only**  
**Type d'apport de chaleur, uniquement pour les appareils de chauffage électriques localisés**  
**Art des Wärmeeintrags, nur für lokale Raumheizgeräte mit elektrischer Speicherung**  
**Type warmte-input, uitsluitend voor elektrische warmteopslagtoestellen**  
**Tipo di potenza termica, solo per gli apparecchi per il riscaldamento d'ambiente locale elettrici ad accumulazione**

Manual heat charge control, with integrated thermostat Commande manuelle de charge de chaleur avec thermostat intégré Manuelle Regelung der Wärmezufuhr mit integriertem Thermostat Handmatige sturing van de warmteopslag, met geïntegreerde thermostaat Controllo manuale del carico termico, con termostato integrato	No Non Nein Nee No
Manual heat charge control with room and/or outdoor temperature feedback Commande manuelle de charge de chaleur avec retour de température de la pièce et/ou extérieure Manuelle Regelung der Wärmezufuhr mit Rückmeldung der Raum- und/oder Außentemperatur Handmatige sturing van de warmteopslag, met kamer- en/of buitentemperatuurfeedback Controllo manuale del carico termico con riscontro della temperatura ambiente e/o esterna	No Non Nein Nee No
Electronic heat charge control with room and/or outdoor temperature feedback Commande électronique de charge de chaleur avec retour de température de la pièce et/ou extérieure Elektronische Regelung der Wärmezufuhr mit Rückmeldung der Raum- und/oder Außentemperatur Elektronische sturing van de warmteopslag, met kamer- en/of buitentemperatuurfeedback Controllo elettronico del carico termico con riscontro della temperatura ambiente e/o esterna	Yes Oui Ja Ja Sì
Fan assisted heat output Puissance calorifique assistée par ventilateur Wärmeabgabe mit Gebläseunterstützung Door een ventilator bijgestane warmteafgifte Potenza termica assistita da ventilatore	Yes Oui Ja Ja Sì

TYPE OF HEAT OUTPUT/ROOM TEMPERATURE CONTROL TYPE DE PUISSANCE CALORIFIQUE/RÉGULATION DE TEMPÉRATURE AMBIANTE ART DER WÄRMELEISTUNG/RAUMTEMPERATURKONTROLLE TYPE WARMTEAFGIFTE/STURING KAMERTEMPERATUUR TIPO DI PÅOTENZA TERMICA/CONTROLLO DELLA TEMPERATURA AMBIENTE	
Single stage heat output and no room temperature control Puissance calorifique de niveau unique, pas de r�gulation de la temp�rature ambiante Einstufige W�rmeleistung, keine Raumtemperaturkontrolle Eentrapswarmteafgifte, geen sturing van de kamertemperatuur Potenza termica a fase unica senza controllo della temperatura ambiente	No Non Nein Nee No
Two or more manual stages, no room temperature control Au moins deux niveaux manuels, pas de r�gulation de la temp�rature ambiante Zwei oder mehr manuell einstellbare Stufen, keine Raumtemperaturkontrolle Twee of meer handmatig in te stellen trappen, geen sturing van de kamertemperatuur Due o pi� fasi manuali senza controllo della temperatura ambiente	No Non Nein Nee No
With mechanic thermostat room temperature control Avec r�gulation de la temp�rature ambiante par thermostat m�canique Raumtemperaturkontrolle mit mechanischem Thermostat Met mechanische sturing van de kamertemperatuur door thermostaat Con controllo della temperatura ambiente tramite termostato meccanico	No Non Nein Nee No
With electronic room temperature control Avec r�gulation �lectronique de la temp�rature ambiante Mit elektronischer Raumtemperaturkontrolle Met elektronische sturing van de kamertemperatuur Con controllo elettronico della temperatura ambiente	Yes Oui Ja Ja S�
Electronic room temperature control plus day timer Avec r�gulation �lectronique de la temp�rature ambiante plus minuteur jour Elektronische Raumtemperaturkontrolle und Tageszeitregelung Met elektronische sturing van de kamertemperatuur plus dag-tijdschakelaar Con controllo elettronico della temperatura ambiente e temporizzatore giornaliero	Yes Oui Ja Ja S�
Electronic room temperature control plus week timer Avec r�gulation �lectronique de la temp�rature ambiante plus minuteur semaine Elektronische Raumtemperaturkontrolle und Wochentagsregelung Met elektronische sturing van de kamertemperatuur plus week-tijdschakelaar Con controllo elettronico della temperatura ambiente e temporizzatore settimanale	Yes Oui Ja Ja S�

OTHER CONTROL OPTIONS AUTRES OPTIONS DE COMMANDE SONSTIGE REGULUNGSOPTIONEN	ANDERE STURINGSOPTIES ALTRE OPZIONI DI CONTROLLO
Room temperature control, with presence detection R�gulation de la temp�rature ambiante, avec d�tection de pr�sence Raumtemperaturkontrolle mit Pr�senzerkennung Sturing van de kamertemperatuur, met aanwezigheidsdetectie Controllo della temperatura ambiente con rilevamento di presenza	No Non Nein Nee No No
Room temperature control, with open window detection R�gulation de la temp�rature ambiante, avec d�tection de fen�tre ouverte Raumtemperaturkontrolle mit Erkennung offener Fenster Sturing van de kamertemperatuur, met openraamdetectie Controllo della temperatura ambiente con rilevamento di finestre aperte	Yes Oui Ja Ja Ja S� S�
With distance control option Avec option de commande � distance Mit Fernbedienungsoption Met de optie van afstandsbediening Con opzione di controllo a distanza	Yes Oui Ja Ja Ja S� S�
With adaptive start control Avec commande de mise en route adaptative Mit adaptiver Regelung des Heizbeginns Met adaptieve sturing van de start Con controllo di avviamento adattabile	Yes Oui Ja Ja Ja S� S�
With working time limitation Avec restriction de dur�e d'utilisation Mit Betriebszeitbegrenzung Met beperking van de werkingstijd Con limitazione del tempo di funzionamento	No Non Nein Nee No No
With black bulb sensor Avec capteur bulbe noir Mit Schwarzkugelsensor Met black-bulbsensor Con termometro a globo nero	No Non Nein Nee No No







**FOR ENQUIRIES IN THE U.K (EXCLUDING NI):**

**Onyx Ltd, Spitfire Avenue, Skypark, Clyst Honiton, Exeter, Devon, England EX5 2FR**

**Tel: (01392) 261900 E-mail: [info@onyxfires.com](mailto:info@onyxfires.com)**

**FOR ENQUIRIES IN EUROPE (INCLUDING NI):**

**Stovax Heating Group (NI) Ltd (Comp reg NI675194), 40 Linenhall Street, Belfast, BT2 8BA**

**DX 400 NR Belfast Tel: +44 (0)1392 261990 E-mail: [northernireland@onyxfires.com](mailto:northernireland@onyxfires.com)**

**onyx**



PR3269